

High-Voltage Integrated Switch PWM Boost Regulator with UVLO

Features

- 36V, 800 mΩ Integrated Switch
- Up to 92% Efficiency
- High Output Voltage Range: up to 32V
- 1.3A Peak Input Current Limit:
 - $I_{OUT} > 200 \text{ mA @ } 5.0\text{V } V_{IN}, 12\text{V } V_{OUT}$
 - $I_{OUT} > 125 \text{ mA @ } 3.3\text{V } V_{IN}, 12\text{V } V_{OUT}$
 - $I_{OUT} > 100 \text{ mA @ } 4.2\text{V } V_{IN}, 24\text{V } V_{OUT}$
- Input Voltage Range: 2.4V to 5.5V
- Undervoltage Lockout (UVLO):
 - UVLO @ V_{IN} Rising: 2.3V, typical
 - UVLO @ V_{IN} Falling: 1.85V, typical
- No Load Input Current: 250 μA , typical
- Sleep mode with 200 nA Typical Quiescent Current
- PWM Operation with Skip mode: 500 kHz
- Feedback Voltage Reference: $V_{FB} = 1.227\text{V}$
- Cycle-by-Cycle Current Limiting
- Internal Compensation
- Inrush Current Limiting and Internal Soft Start
- Output Overvoltage Protection (OVP) in the event of:
 - Feedback pin shorted to GND
 - Disconnected feedback divider
- Overtemperature Protection
- Easily Configurable for SEPIC or Flyback Topologies
- Available Packages:
 - 5-Lead SOT-23
 - 8-Lead 2x3 TDFN

Applications

- Two and Three-Cell Alkaline, Lithium Ultimate and NiMH/NiCd Portable Products
- Single-Cell Li-Ion to 5V, 12V or 24V Converters
- LCD Bias Supply for Portable Applications
- Camera Phone Flash
- Portable Medical Equipment
- Hand-Held Instruments
- Single-Cell Li-Ion to 3.0V or 3.3V SEPIC Applications (see [Figure 6-3](#))

General Description

The MCP1661 device is a compact, high-efficiency, fixed-frequency, non-synchronous step-up DC-DC converter which integrates a 36V, 800 mΩ NMOS switch. It provides a space-efficient high-voltage step-up power supply solution for applications powered by either two-cell or three-cell alkaline, Ultimate Lithium, NiCd, NiMH, one-cell Li-Ion or Li-Polymer batteries.

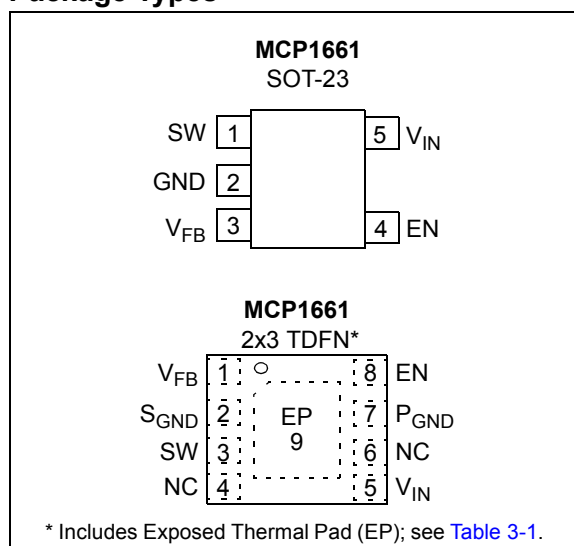
The integrated switch is protected by the 1.3A cycle-by-cycle inductor peak current limit operation. There is an output overvoltage protection which turns off switching in case the feedback resistors are accidentally disconnected or the feedback pin is short-circuited to GND.

Low-voltage technology allows the regulator to start-up without high inrush current or output voltage overshoot from a low-voltage input. The device features a UVLO which avoids start-up and operation with low inputs or discharged batteries for two cell-powered applications.

For standby applications (EN = GND), the device stops switching, enters Sleep mode and consumes 200 nA (typical) of input current.

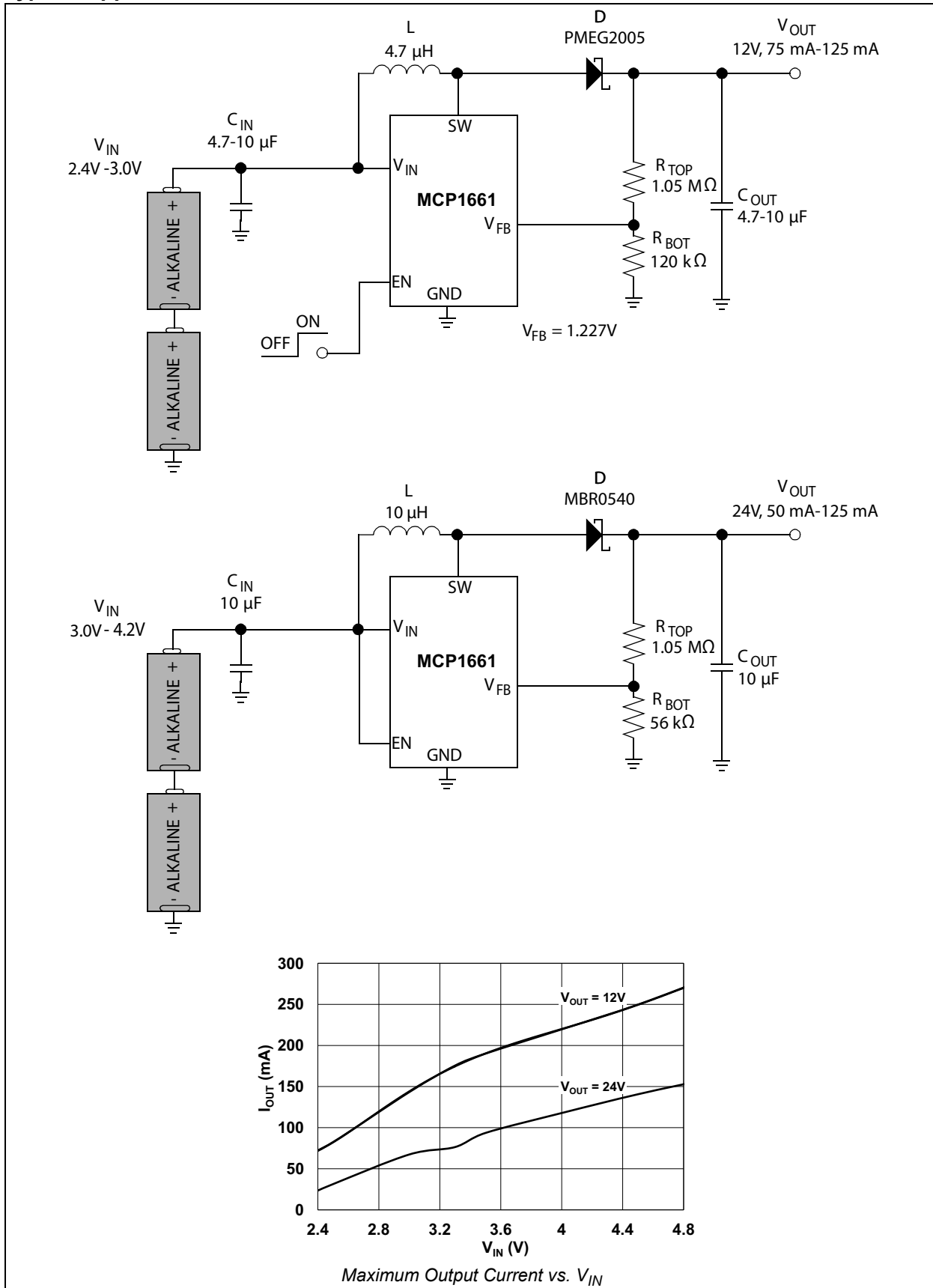
MCP1661 is easy to use and allows creating classic boost, SEPIC or flyback DC-DC converters within a small Printed Circuit Board (PCB) area. All compensation and protection circuitry is integrated to minimize the number of external components. Ceramic input and output capacitors are used.

Package Types



MCP1661

Typical Applications



1.0 ELECTRICAL CHARACTERISTICS

Absolute Maximum Ratings †

$V_{SW} - GND$	+36V
EN, $V_{IN} - GND$	+6.0V
V_{FB}	+1.3V
Power Dissipation	Internally Limited
Storage Temperature	-65°C to +150°C
Ambient Temperature with Power Applied	-40°C to +125°C
Operating Junction Temperature	-40°C to +150°C
ESD Protection On All Pins:	
HBM	4 kV
MM	300V

† **Notice:** Stresses above those listed under “Maximum Ratings” may cause permanent damage to the device. This is a stress rating only and functional operation of the device at those or any other conditions above those indicated in the operational sections of this specification is not intended. Exposure to maximum rating conditions for extended periods may affect device reliability.

DC AND AC CHARACTERISTICS

Electrical Specifications: Unless otherwise specified, all limits apply for typical values at ambient temperature $T_A = +25^\circ\text{C}$, $V_{IN} = 3.3\text{V}$, $I_{OUT} = 20\text{ mA}$, $V_{OUT} = 12\text{V}$, $C_{IN} = C_{OUT} = 10\text{ }\mu\text{F}$, X7R ceramic, $L = 4.7\text{ }\mu\text{H}$. Boldface specifications apply over the controlled T_A range of -40°C to $+125^\circ\text{C}$.						
Parameters	Sym.	Min.	Typ.	Max.	Units	Conditions
Input Voltage Range	V_{IN}	2.4	—	5.5	V	Note 1
Undervoltage Lockout (UVLO)	$UVLO_{START}$	—	2.3	—	V	V_{IN} rising, $I_{OUT} = 1\text{ mA}$ resistive load
	$UVLO_{STOP}$	—	1.85	—	V	V_{IN} falling, $I_{OUT} = 1\text{ mA}$ resistive load
Output Voltage Adjust Range	V_{OUT}	—	—	32	V	Note 1
Maximum Output Current	I_{OUT}	—	125	—	mA	3.3V V_{IN} , 12V V_{OUT}
			200	—	mA	5.0V V_{IN} , 12V V_{OUT}
			100	—	mA	4.2V V_{IN} , 24V V_{OUT}
Feedback Voltage	V_{FB}	1.190	1.227	1.264	V	
V_{FB} Accuracy		-3	—	3	%	
Feedback Input Bias Current	I_{VFB}	—	0.005	—	μA	
No Load Input Current	I_{IN0}	—	250	—	μA	Device switching, no load, 3.3V V_{IN} , 12V V_{OUT} (Note 2)
Shutdown Quiescent Current	I_{QSHDN}	—	200	—	nA	EN = GND, feedback divider current not included (Note 3)
Peak Switch Current Limit	$I_{N(MAX)}$	—	1.3	—	A	Note 4
NMOS Switch Leakage	I_{NLK}	—	0.4	—	μA	$V_{IN} = V_{SW} = 5\text{V}$; $V_{OUT} = 5.5\text{V}$ $V_{EN} = V_{FB} = GND$
NMOS Switch ON Resistance	$R_{DS(ON)}$	—	0.8	—	Ω	$V_{IN} = 5\text{V}$, $V_{OUT} = 12\text{V}$, $I_{OUT} = 100\text{ mA}$ (Note 4)

- Note 1:** Minimum input voltage in the range of V_{IN} ($V_{IN} < 5.5\text{V} < V_{OUT}$) depends on the maximum duty cycle (DC_{MAX}) and on the output voltage (V_{OUT}), according to the boost converter equation:

$$V_{INmin} = V_{OUT} \times (1 - DC_{MAX})$$
- 2:** I_{IN0} varies with input and output voltage (Figure 2-8). I_{IN0} is measured on the V_{IN} pin when the device is switching (EN = V_{IN}), at no load, with $R_{TOP} = 120\text{ k}\Omega$ and $R_{BOT} = 1.05\text{ M}\Omega$.
- 3:** I_{QSHDN} is measured on the V_{IN} pin when the device is not switching (EN = GND), at no load, with the feedback resistors ($R_{TOP} + R_{BOT}$) disconnected from V_{OUT} .
- 4:** Determined by characterization, not production tested.

MCP1661

DC AND AC CHARACTERISTICS (CONTINUED)

Electrical Specifications: Unless otherwise specified, all limits apply for typical values at ambient temperature $T_A = +25^\circ\text{C}$, $V_{IN} = 3.3\text{V}$, $I_{OUT} = 20\text{ mA}$, $V_{OUT} = 12\text{V}$, $C_{IN} = C_{OUT} = 10\text{ }\mu\text{F}$, X7R ceramic, $L = 4.7\text{ }\mu\text{H}$.
Boldface specifications apply over the controlled T_A range of -40°C to $+125^\circ\text{C}$.

Parameters	Sym.	Min.	Typ.	Max.	Units	Conditions
Line Regulation	$ \Delta V_{FB}/V_{FB} / \Delta V_{IN}$	—	0.05	0.5	%/V	$V_{IN} = 3\text{V to } 5\text{V}$, $I_{OUT} = 20\text{ mA}$, $V_{OUT} = 12.0\text{V}$
Load Regulation	$ \Delta V_{FB}/V_{FB} $	—	0.5	1.5	%	$I_{OUT} = 20\text{ mA to } 100\text{ mA}$, $V_{IN} = 3.3\text{V}$, $V_{OUT} = 12.0\text{V}$
Overvoltage Reference	OVP_REF	—	80	—	mV	V_{FB} to GND transition (Note 4)
Maximum Duty Cycle	DC_{MAX}	88	90	—	%	Note 4
Switching Frequency	f_{SW}	425	500	575	kHz	$\pm 15\%$
EN Input Logic High	V_{IH}	85	—	—	% of V_{IN}	$I_{OUT} = 1\text{ mA}$
EN Input Logic Low	V_{IL}	—	—	7.5	% of V_{IN}	$I_{OUT} = 1\text{ mA}$
EN Input Leakage Current	I_{ENLK}	—	0.025	—	μA	$V_{EN} = 5\text{V}$
Soft-Start Time	t_{SS}	—	3	—	ms	T_A , EN Low-to-High, 90% of V_{OUT}
Thermal Shutdown Die Temperature	T_{SD}	—	150	—	$^\circ\text{C}$	
Die Temperature Hysteresis	T_{SDHYS}	—	15	—	$^\circ\text{C}$	

- Note 1:** Minimum input voltage in the range of V_{IN} ($V_{IN} < 5.5\text{V} < V_{OUT}$) depends on the maximum duty cycle (DC_{MAX}) and on the output voltage (V_{OUT}), according to the boost converter equation:
 $V_{INmin} = V_{OUT} \times (1 - DC_{MAX})$.
- 2:** I_{IN0} varies with input and output voltage (Figure 2-8). I_{IN0} is measured on the V_{IN} pin when the device is switching ($EN = V_{IN}$), at no load, with $R_{TOP} = 120\text{ k}\Omega$ and $R_{BOT} = 1.05\text{ M}\Omega$.
- 3:** I_{QSHDN} is measured on the V_{IN} pin when the device is not switching ($EN = \text{GND}$), at no load, with the feedback resistors ($R_{TOP} + R_{BOT}$) disconnected from V_{OUT} .
- 4:** Determined by characterization, not production tested.

TEMPERATURE SPECIFICATIONS

Electrical Specifications: Unless otherwise specified, all limits apply for typical values at ambient temperature $T_A = +25^\circ\text{C}$, $V_{IN} = 3.3\text{V}$, $I_{OUT} = 20\text{ mA}$, $V_{OUT} = 12\text{V}$, $C_{IN} = C_{OUT} = 10\text{ }\mu\text{F}$, X7R ceramic, $L = 4.7\text{ }\mu\text{H}$ and 5-lead SOT-23 package.
Boldface specifications apply over the controlled T_A range of -40°C to $+125^\circ\text{C}$.

Parameters	Sym.	Min.	Typ.	Max.	Units	Conditions
Temperature Ranges						
Operating Junction Temperature Range	T_J	-40	—	+125	$^\circ\text{C}$	Steady State
Storage Temperature Range	T_A	-65	—	+150	$^\circ\text{C}$	
Maximum Junction Temperature	T_J	—	—	+150	$^\circ\text{C}$	Transient
Package Thermal Resistances						
Thermal Resistance, 5LD-SOT-23	θ_{JA}	—	201.0	—	$^\circ\text{C/W}$	
Thermal Resistance, 8LD-2x3 TDFN	θ_{JA}	—	52.5	—	$^\circ\text{C/W}$	

2.0 TYPICAL PERFORMANCE CURVES

Note: The graphs and tables provided following this note are a statistical summary based on a limited number of samples and are provided for informational purposes only. The performance characteristics listed herein are not tested or guaranteed. In some graphs or tables, the data presented may be outside the specified operating range (e.g., outside specified power supply range) and therefore outside the warranted range.

Note: Unless otherwise indicated, $V_{IN} = 3.3V$, $I_{OUT} = 20\text{ mA}$, $V_{OUT} = 12V$, $C_{IN} = C_{OUT} = 10\text{ }\mu\text{F}$, X7R ceramic, $L = 4.7\text{ }\mu\text{H}$, $T_A = 25^\circ\text{C}$, 5-lead SOT-23 package.

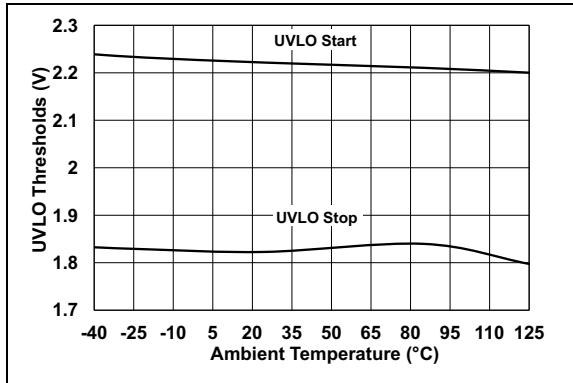


FIGURE 2-1: Undervoltage Lockout (UVLO) vs. Ambient Temperature.

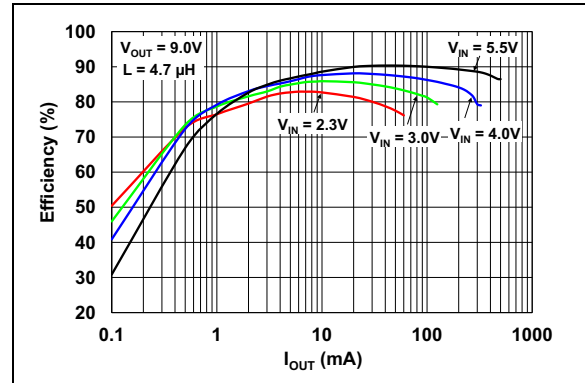


FIGURE 2-4: 9.0V V_{OUT} Efficiency vs. I_{OUT} .

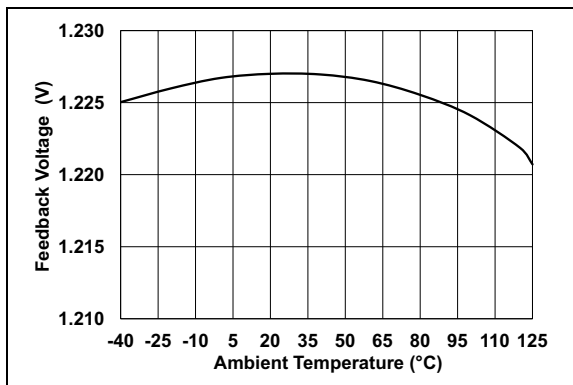


FIGURE 2-2: V_{FB} Voltage vs. Ambient Temperature and V_{IN} .

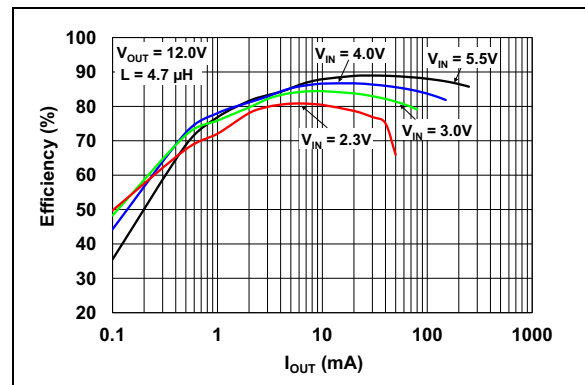


FIGURE 2-5: 12.0V V_{OUT} Efficiency vs. I_{OUT} .

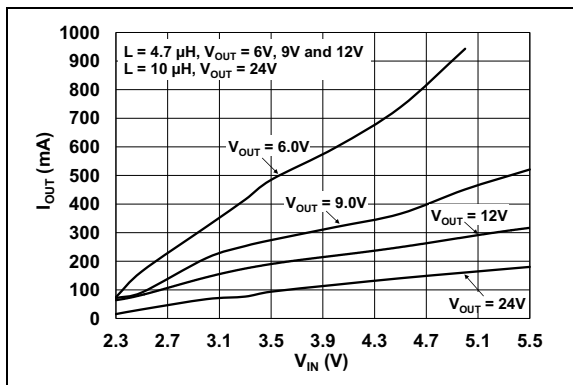


FIGURE 2-3: Maximum Output Current vs. V_{IN} .

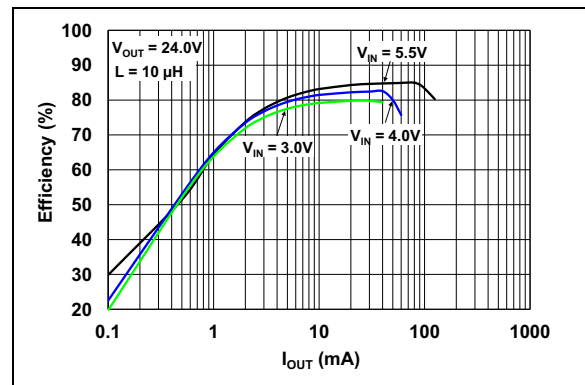


FIGURE 2-6: 24.0V V_{OUT} Efficiency vs. I_{OUT} .

MCP1661

Note: Unless otherwise indicated, $V_{IN} = 3.3V$, $I_{OUT} = 20\text{ mA}$, $V_{OUT} = 12V$, $C_{IN} = C_{OUT} = 10\text{ }\mu\text{F}$, X7R ceramic, $L = 4.7\text{ }\mu\text{H}$, $T_A = 25^\circ\text{C}$, 5-lead SOT-23 package.

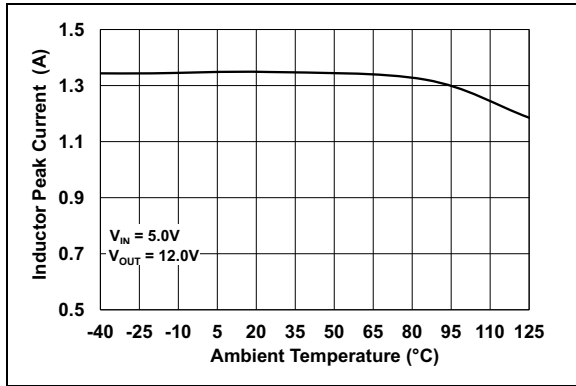


FIGURE 2-7: Inductor Peak Current Limit vs. Ambient Temperature.

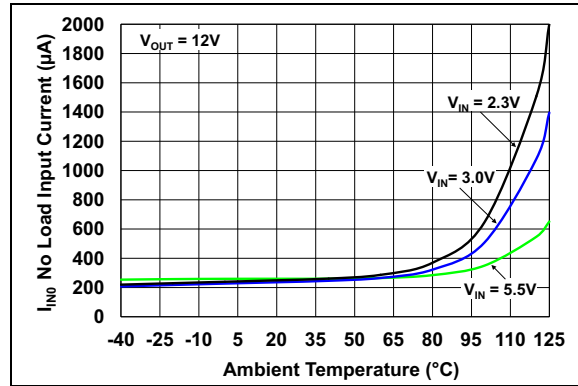


FIGURE 2-10: No Load Input Current, I_{IN0} vs. Ambient Temperature.

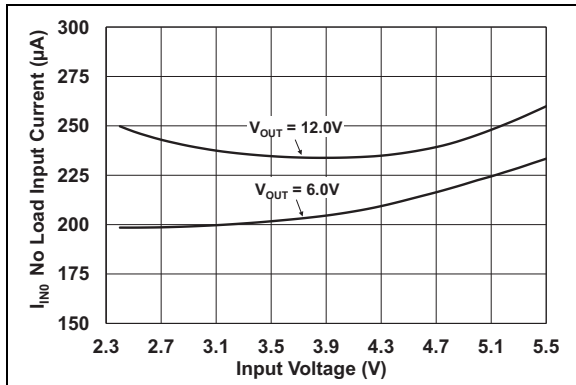


FIGURE 2-8: No Load Input Current, I_{IN0} vs. V_{IN} ($EN = V_{IN}$).

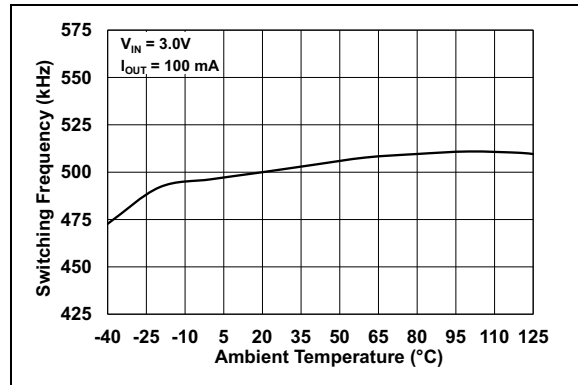


FIGURE 2-11: f_{SW} vs. Ambient Temperature.

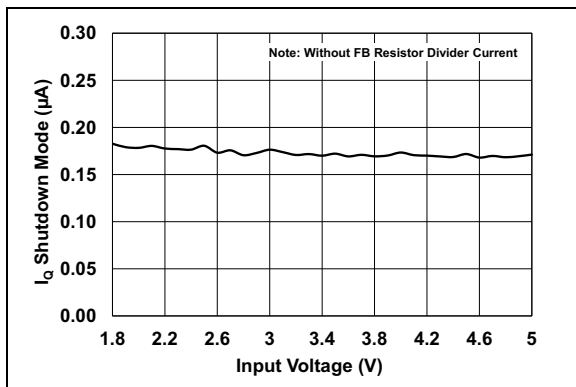


FIGURE 2-9: Shutdown Quiescent Current, I_{QSHDN} vs. V_{IN} ($EN = GND$).

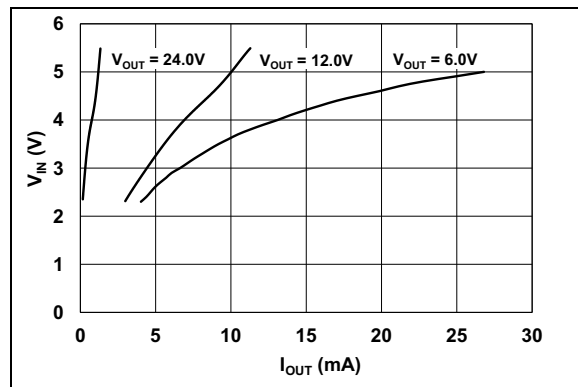


FIGURE 2-12: PWM Pulse Skipping Mode Threshold.

Note: Unless otherwise indicated, $V_{IN} = 3.3V$, $I_{OUT} = 20\text{ mA}$, $V_{OUT} = 12V$, $C_{IN} = C_{OUT} = 10\text{ }\mu\text{F}$, X7R ceramic, $L = 4.7\text{ }\mu\text{H}$, $T_A = 25^\circ\text{C}$, 5-lead SOT-23 package.

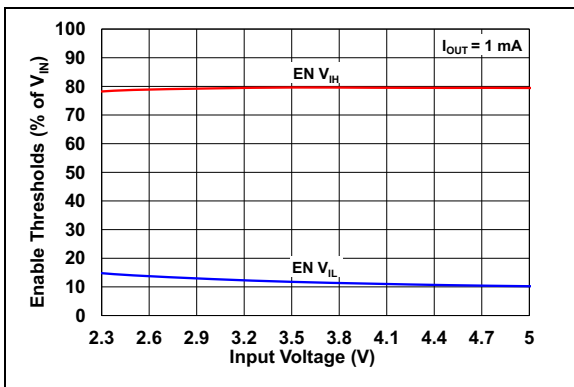


FIGURE 2-13: Enable Threshold vs. Input Voltage.

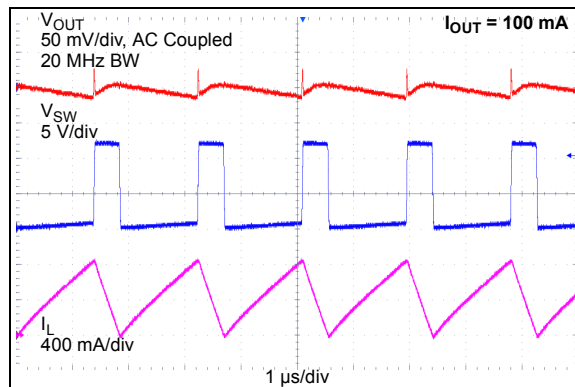


FIGURE 2-16: High Load PWM Mode Waveforms.

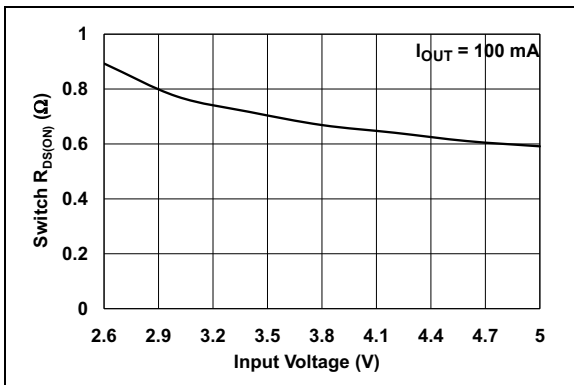


FIGURE 2-14: N-Channel Switch $R_{DS(on)}$ vs. V_{IN} .

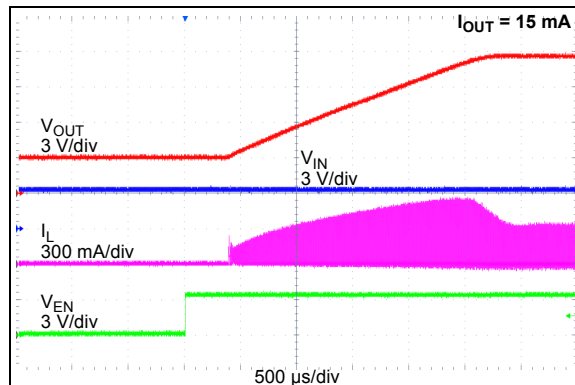


FIGURE 2-17: 12.0V Start-Up by Enable.

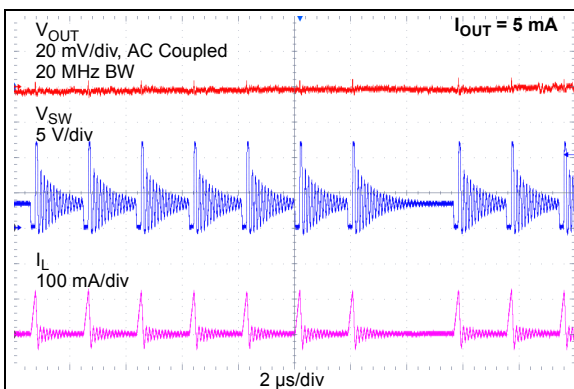


FIGURE 2-15: 12.0V V_{OUT} Light Load PWM Mode Waveforms.

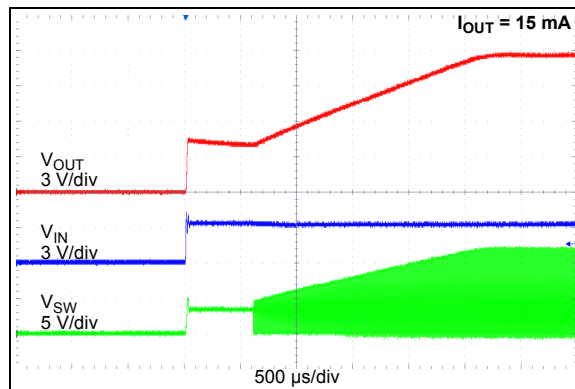


FIGURE 2-18: 12.0V Start-Up ($V_{IN} = V_{ENABLE}$).

MCP1661

Note: Unless otherwise indicated, $V_{IN} = 3.3V$, $I_{OUT} = 20\text{ mA}$, $V_{OUT} = 12V$, $C_{IN} = C_{OUT} = 10\ \mu\text{F}$, X7R ceramic, $L = 4.7\ \mu\text{H}$, $T_A = 25^\circ\text{C}$, 5-lead SOT-23 package.

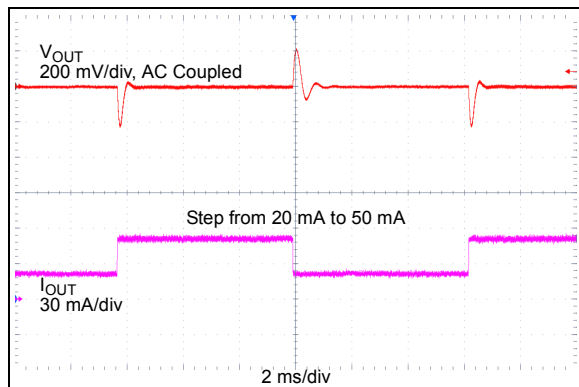


FIGURE 2-19: 12.0V V_{OUT} Load Transient Waveforms.

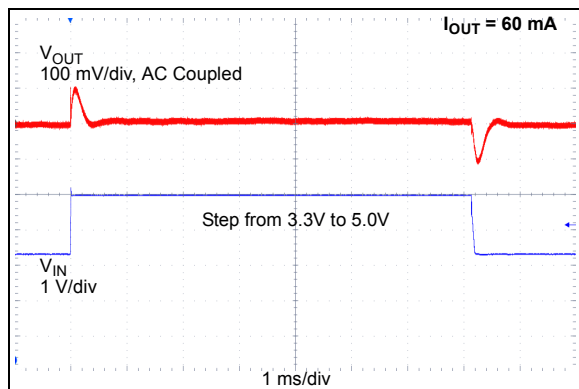


FIGURE 2-20: 12.0V V_{OUT} Line Transient Waveforms.

3.0 PIN DESCRIPTIONS

The descriptions of the pins are listed in [Table 3-1](#).

TABLE 3-1: PIN FUNCTION TABLE

MCP1661 SOT-23	MCP1661 2x3 TDFN	Symbol	Description
3	1	V_{FB}	Feedback Voltage Pin
—	2	S_{GND}	Signal Ground Pin (TDFN only)
1	3	SW	Switch Node, Boost Inductor Input Pin
—	4, 6	NC	Not Connected
5	5	V_{IN}	Input Voltage Pin
—	7	P_{GND}	Power Ground Pin (TDFN only)
4	8	EN	Enable Control Input Pin
—	9	EP	Exposed Thermal Pad (EP); must be connected to Ground. (TDFN only)
2	—	GND	Ground Pin (SOT-23 only)

3.1 Feedback Voltage Pin (V_{FB})

The V_{FB} pin is used to provide output voltage regulation by using a resistor divider. The V_{FB} voltage is 1.227V typical.

3.2 Signal Ground Pin (S_{GND})

The signal ground pin is used as a return for the integrated reference voltage and error amplifier. The signal ground and power ground must be connected externally in one point.

3.3 Switch Node Pin (SW)

Connect the inductor from the input voltage to the SW pin. The SW pin carries inductor current, which can be as high as 1.3A peak. The integrated N-Channel switch drain is internally connected to the SW node.

3.4 Not Connected (NC)

This is an unconnected pin.

3.5 Power Supply Input Voltage Pin (V_{IN})

Connect the input voltage source to V_{IN} . The input source must be decoupled from GND with a 4.7 μ F minimum capacitor.

3.6 Power Ground Pin (P_{GND})

The power ground pin is used as a return for the high-current N-Channel switch. The signal ground and power ground must be connected externally in one point.

3.7 Enable Pin (EN)

The EN pin is a logic-level input used to enable or disable device switching and lower quiescent current while disabled. A logic high (>85% of V_{IN}) will enable the regulator output. A logic low (<7.5% of V_{IN}) will ensure that the regulator is disabled.

3.8 Exposed Thermal Pad (EP)

There is no internal electrical connection between the Exposed Thermal Pad (EP) and the S_{GND} and P_{GND} pins. They must be connected to the same potential on the PCB.

3.9 Ground Pin (GND)

The ground or return pin is used for circuit ground connection. The length of the trace from the input cap return, the output cap return and the GND pin must be as short as possible to minimize noise on the GND pin. The 5-lead SOT-23 package uses a single ground pin.

MCP1661

NOTES:

4.0 DETAILED DESCRIPTION

4.1 Device Overview

MCP1661 is a constant frequency PWM boost (step-up) converter, based on a peak current mode architecture which delivers high efficiency over a wide load range from two-cell and three-cell Alkaline, Ultimate Lithium, NiMH, NiCd and single-cell Li-Ion battery inputs. A high level of integration lowers total system cost, eases implementation and reduces board area.

The device features controlled start-up voltage (UVLO), adjustable output voltage, 500 kHz PWM operation with Skipping mode, 36V integrated switch, internal compensation, inrush current limit, soft start, and overvoltage protection in case the V_{FB} connection is lost.

The 800 m Ω , 36V integrated switch is protected by the 1.3A cycle-by-cycle inductor peak current operation. When the Enable pin is pulled to ground (EN = GND), the device stops switching, enters in Shutdown mode and consumes approximately 200 nA of input current (the feedback current is not included).

MCP1661 can be used to build classic boost, SEPIC or flyback DC-DC converters.

MCP1661

4.2 Functional Description

The MCP1661 device is a compact, high-efficiency, fixed-frequency, step-up DC-DC converter that provides an easy-to-use high-output power supply solution for applications powered by either two-cell or three-cell alkaline or Lithium Energizer, three-cell NiCd or NiMH or one-cell Li-Ion or Li-Polymer batteries.

Figure 4-1 depicts the functional block diagram of the MCP1661 device. It incorporates a current mode control scheme, in which the PWM ramp signal is derived from the NMOS power switch current (V_{SENSE}). This ramp signal adds slope ramp compensation signal (V_{RAMP}) and is compared to the output of the error amplifier (V_{ERROR}) to control the on-time of the power switch. A proper slope rate will be designed to improve circuit stability.

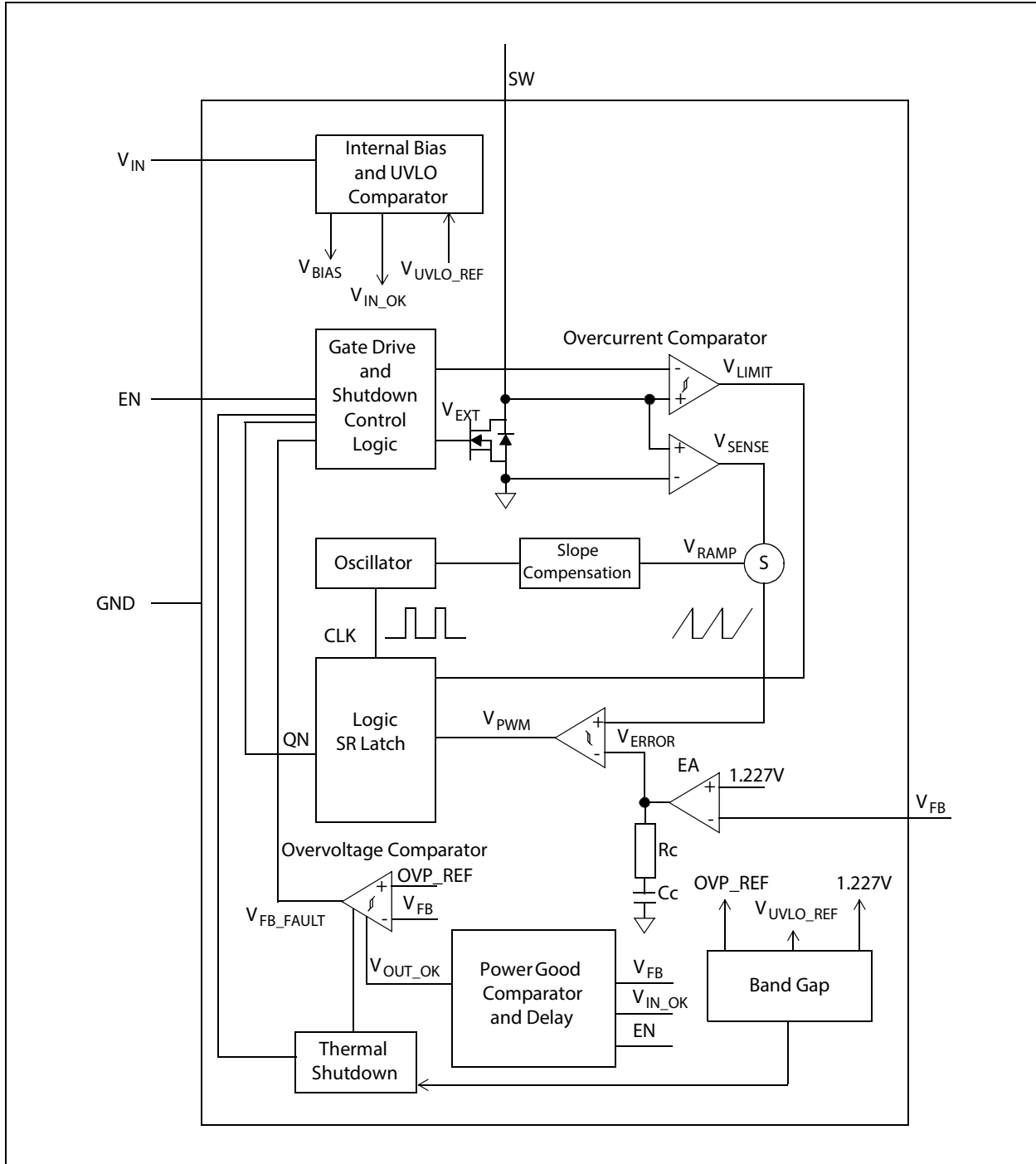


FIGURE 4-1: MCP1661 Simplified Block Diagram.

4.2.1 INTERNAL BIAS

The MCP1661 device gets its bias from V_{IN} . The V_{IN} bias is used to power the device and drive circuits over the entire operating range.

4.2.2 START-UP VOLTAGE AND SOFT START

The MCP1661 device starts at input voltages that are higher than or equal to a predefined set UVLO value. MCP1661 starts switching at approximately 2.3V for 12.0V output and 1 mA resistive load. Once started, the device will continue to operate under normal load conditions down to 1.85V typical. There is a soft start feature which provides a way to limit the inrush current drawn from the input (batteries) during start-up. The soft start has an important role in applications where the switch will reach 32V. During start-up, excessively high switch current, together with the presence of high voltage, can overstress the NMOS switch.

When the device is powered ($EN = V_{IN}$ and V_{IN} rises from zero to its nominal value), the output capacitor charges to a value close to the input voltage (or V_{IN} minus a Schottky diode voltage drop). The overshoot on output is limited by slowly increasing the reference of the error amplifier. There is an internal reference voltage which charges an internal capacitor with a weak current source. The voltage on this capacitor slowly ramps the reference voltage. The soft-start capacitor is completely discharged in the event of a commanded shutdown or a thermal shutdown.

Due to the direct path from input to output, in the case of start-up by enable (EN voltage switches from low-to-high), the output capacitor is already charged and the output starts from a value close to the input voltage.

The internal oscillator has a delayed start to let the output capacitor be completely charged to the input voltage value.

4.2.3 UNDERVOLTAGE LOCKOUT (UVLO)

MCP1661 features an UVLO which prevents fault operation below 1.85V, which corresponds to the typical value of two discharged batteries. The device starts its normal operation at 2.3V input. The upper limit is set to avoid any input transients (temporary V_{IN} drop), which might trigger the lower UVLO threshold and restart the device. Usually, these voltage transients (overshoots and undershoots) have up to a few hundred mV.

MCP1661 is a non-synchronous boost regulator. Due to this fact, there is a direct path from V_{IN} to V_{OUT} through the inductor and the diode. This means that, while the device is not switching (V_{IN} below $UVLO_{STOP}$ threshold), V_{OUT} is not zero but equal to $V_{IN} - V_F$ (where V_F is the voltage drop on the rectifier diode).

When the input voltage is below the 2.3V UVLO start threshold, the device is operating with limited specification.

4.2.4 PWM MODE OPERATION

MCP1661 operates as a fixed-frequency, non-synchronous converter. The switching frequency is maintained at 500 kHz with a precision oscillator.

Lossless current sensing converts the peak current signal to a voltage (V_{SENSE}) and adds it to the internal slope compensation (V_{RAMP}). This summed signal is compared to the voltage error amplifier output (V_{ERROR}) to provide a peak current control signal (V_{PWM}) for the PWM control block. The slope compensation signal depends on the input voltage. Therefore, the converter provides the proper amount of slope compensation to ensure stability. The peak current is set to 1.3A.

The MCP1661 device will operate in PWM even during periods of light load operation by skipping pulses. By operating in PWM mode, the output ripple is low and the frequency is constant.

4.2.5 ADJUSTABLE OUTPUT VOLTAGE

The MCP1661 output voltage is adjustable with a resistor divider over the V_{OUT} range. High value resistors are recommended to minimize power loss and keep efficiency high at light loads. The device integrates a transconductance-type error amplifier and the values of the feedback resistors do not influence the stability of the system.

4.2.6 MINIMUM INPUT VOLTAGE AND MAXIMUM OUTPUT CURRENT

The maximum output current for which the device can supply the load is dependent upon the input and output voltage. The minimum input voltage necessary to reach the value of the desired output depends on the maximum duty cycle (approximately 90%) in accordance with the mathematical relation $V_{OUT} = V_{INmin}/(1 - D_{MAX})$. As there is a 1.3A inductor peak current limit, V_{OUT} can go out of regulation before reaching the maximum duty cycle. (For boost converters, the average inductor current is equal to the input current.)

For example, to ensure a 100 mA load current for $V_{OUT} = 12.0V$, a minimum of 2.8V input voltage is necessary. If an application is powered by one Li-Ion battery (V_{IN} from 3.3V to 4.2V), the minimum load current the MCP1661 device can deliver is close to 50 mA at 24.0V output (see [Figure 2-3](#)).

MCP1661

4.2.7 ENABLE PIN

The MCP1661 device is enabled when the EN pin is set high. The device is put into Shutdown mode when the EN pin is set low. To enable the boost converter, the EN voltage level must be greater than 85% of the V_{IN} voltage. To disable the boost converter, the EN voltage must be less than 7.5% of the V_{IN} voltage.

In Shutdown mode, the MCP1661 device stops switching and all internal control circuitry is switched off. On boost configuration, the input voltage will be bypassed to output through the inductor and the Schottky diode. In the SEPIC converter, Shutdown mode acts as output disconnect.

4.2.8 INTERNAL COMPENSATION

The error amplifier, with its associated compensation network, completes the closed-loop system by comparing the output voltage to a reference at the input of the error amplifier and by feeding the amplified and inverted error voltage to the control input of the inner current loop. The compensation network provides phase leads and lags at appropriate frequencies to cancel excessive phase lags and leads of the power circuit. All necessary compensation components and slope compensation are integrated.

4.2.9 OUTPUT OVERVOLTAGE PROTECTION (OVP)

An internal V_{FB} fault signal turns off the PWM signal (V_{EXT}) and prevents the output from going out of regulation in the event of:

- short circuit of the feedback pin to GND
- disconnection of the feedback divider from V_{OUT}

In any of the above events, for a regular integrated boost circuit (IC) without any protection implemented, if the V_{FB} voltage drops to ground potential, its N-channel transistor will be forced to switch at full duty cycle and V_{OUT} rises. This Fault event may cause the SW pin to exceed its maximum voltage rating and may damage the boost regulator IC, the external components and the load. To avoid all these, MCP1661 has implemented an overvoltage protection (OVP) which turns off PWM switching when an overvoltage condition is detected. There is an overvoltage comparator with 80 mV reference which monitors the V_{FB} voltage.

The OVP comparator is disabled during start-up sequences and thermal shutdown.

If OVP occurs with the input voltage below the $UVLO_{START}$ threshold and V_{FB} remains under 80 mV due to a low input voltage or overload condition, the device latches its output and resumes after restart.

4.2.10 OVERCURRENT LIMIT

The MCP1661 device uses a 1.3A cycle-by-cycle inductor peak current limit to protect the N-channel switch. There is an overcurrent comparator which resets the drive latch when the peak of the inductor current reaches the limit. In current limitation, the output voltage starts dropping.

4.2.11 OUTPUT SHORT CIRCUIT CONDITION

Like all non-synchronous boost converters, the MCP1661 inductor current will increase excessively during a short circuit on the converter's output. Short circuit on the output will cause the diode rectifier to fail and the inductor's temperature to rise. When the diode fails, the SW pin becomes a high-impedance node, it remains connected only to the inductor and the excessive resulted ringing will damage the MCP1661 device.

4.2.12 OVERTEMPERATURE PROTECTION

Overtemperature protection circuitry is integrated into the MCP1661 device. This circuitry monitors the device junction temperature and shuts the device off if the junction temperature exceeds the typical +150°C threshold. If this threshold is exceeded, the device will automatically restart when the junction temperature drops by 15°C. The output overvoltage protection (OVP) is reset during an overtemperature condition.

5.0 APPLICATION INFORMATION

5.1 Typical Applications

The MCP1661 nonsynchronous boost regulator operates over a wide output voltage range up to 32V. The input voltage ranges from 2.4V to 5.5V. The device operates down to 1.85V input with limited specification. The UVLO thresholds are set to 2.3V when V_{IN} is ramping and to 1.85V when V_{IN} is falling. The power efficiency conversion is high for several decades of load range. Output current capability increases with the input voltage and decreases with the increasing output voltage. The maximum output current is based on the N-channel switch peak current limit, set to 1.3A, and on a maximum duty cycle of 90%. Typical characterization curves in this data sheet are presented to display the typical output current capability.

5.2 Adjustable Output Voltage Calculations

To calculate the resistor divider values for the MCP1661, the following equation can be used. Where R_{TOP} is connected to V_{OUT} , R_{BOT} is connected to GND and both are connected to the V_{FB} input pin.

EQUATION 5-1:

$$R_{TOP} = R_{BOT} \times \left(\frac{V_{OUT}}{V_{FB}} - 1 \right)$$

EXAMPLE 5-1:

$V_{OUT} = 12.0V$
 $V_{FB} = 1.227V$
 $R_{BOT} = 120 \text{ k}\Omega$
 $R_{TOP} = 1053.6 \text{ k}\Omega$ ($V_{OUT} = 11.96V$ with a standard value of 1050 k Ω)

EXAMPLE 5-2:

$V_{OUT} = 24.0V$
 $V_{FB} = 1.227V$
 $R_{BOT} = 53 \text{ k}\Omega$
 $R_{TOP} = 983.67 \text{ k}\Omega$ ($V_{OUT} = 23.82V$ with a standard value of 976 k Ω)

The values of the two resistors, R_{TOP} and R_{BOT} , affect the no load input current and quiescent current. In Shutdown mode ($EN = GND$), the device consumes approximately 0.2 μA . With 24V output and 1 M Ω feedback divider, the current which this divider drains from input is 2.4 μA . This value is much higher than what the device consumes. Keeping R_{TOP} and R_{BOT} high will optimize efficiency conversion at very light loads. There are some potential issues with higher value resistors, as in the case of small surface mount resistors; environment contamination can create leakage paths on the PCB that significantly change the resistor divider and may affect the output voltage tolerance.

5.2.1 OVERVOLTAGE PROTECTION

The MCP1661 features an output overvoltage protection (OVP) in case R_{TOP} is disconnected from the V_{OUT} line. A typical 80 mV OVP reference is compared to V_{FB} voltage. If voltage on the V_{FB} pin drops below the reference value, the device stops switching and prevents V_{OUT} from rising up to a dangerous value.

OVP is not enabled during start-up and thermal shutdown events.

MCP1661

5.3 Input Capacitor Selection

The boost input current is smoothed by the boost inductor, reducing the amount of filtering necessary at the input. Some capacitance is recommended to provide decoupling from the input source. Because MCP1661 is rated to work up to 125°C, low ESR X7R ceramic capacitors are well suited, since they have a low temperature coefficient and are small-sized. For limited temperature range use at up to 85°C, a X5R ceramic capacitor can be used. For light load applications, 4.7 μF of capacitance is sufficient at the input. For high-power applications that have high source impedance or long leads, using a 20-30 μF input capacitor is recommended to sustain high input boost currents. Additional input capacitance can be added to provide a stable input voltage.

Table 5-1 contains the recommended range for the input capacitor value.

5.4 Output Capacitor Selection

The output capacitor helps provide a stable output voltage during sudden load transients and reduces the output voltage ripple. As with the input capacitor, X7R ceramic capacitor is recommended for this application. Using other capacitor types (aluminum or tantalum) with large ESR has impact on the converter's efficiency (see AN1337), maximum output power and stability. For limited temperature range (up to 85°C), X5R ceramic capacitors can be used. The DC rating of the output capacitor should be greater than the V_{OUT} value. Generally, ceramic capacitors lose up to 50% of their capacity when the voltage applied is close to the maximum DC rating. Choosing a capacitor with a safe higher DC rating or placing two capacitors in parallel assure enough capacity to correctly filter the output voltage.

The MCP1661 device is internally compensated so output capacitance range is limited. See Table 5-1 for the recommended output capacitor range.

An output capacitance higher than 10 μF adds a better load step response and high-frequency noise attenuation, especially while stepping from light to heavy current loads. In addition, 2 x 10 μF output capacitors ensure a better recovery of the output after a short period of overloading.

While the N-Channel switch is on, the output current is supplied by the output capacitor C_{OUT} . The amount of output capacitance and equivalent series resistance will have a significant effect on the output ripple voltage. While C_{OUT} provides load current, a voltage drop also appears across its internal ESR that results in ripple voltage.

Peak-to-peak output ripple voltage also depends on the equivalent series inductance (ESL) of the output capacitor. There are ceramic capacitors with special

internal architecture which minimize the ESL. Consult the ceramic capacitor's manufacturer portfolio for more information.

Table 5-1 contains the recommended range for the input and output capacitor value.

TABLE 5-1: CAPACITOR VALUE RANGE

	C_{IN}	C_{OUT}
Minimum	4.7 μF	10 μF
Maximum	—	47 μF

5.5 Inductor Selection

The MCP1661 device is designed to be used with small surface mount inductors; the inductance value can range from 4.7 μH to 10 μH . An inductance value of 4.7 μH is recommended for output voltages below 15V. For higher output voltages, up to 32V, an inductance value of 10 μH is optimum. While the device operates at low inputs, below 3.0V, a low value inductor (2.2 μH or 3.3 μH) ensures better stability but limited output power capability. Usually, this is a good trade-off as boost converters powered from two-cell batteries are low-power applications.

TABLE 5-2: MCP1661 RECOMMENDED INDUCTORS FOR BOOST CONVERTERS

Part Number	Value (µH)	DCR Ω (typ.)	I _{SAT} (A)	Size WxLxH (mm)
Coilcraft				
MSS5131-472	4.7	0.038	1.42	5.1x5.1x3.1
XFL4020-472	4.7	0.057	2.7	4.2x4.2x2.1
LPS5015-562	5.6	0.175	1.6	5.0x5.0x1.5
LPS6235-103	10	0.065	1.5	6.2x6.2x3.5
XAL4040-103	10	0.092	1.9	4.3x4.3x4.1
Würth Elektronik				
744025004 WE-TPC	4.7	0.1	1.7	2.8x2.8x2.8
744043004 WE-TPC	4.7	0.05	1.7	4.8x4.8x2.8
744773112 WE-PD2	10	0.156	1.6	4.0x4.5x3.2
74408943100 WE-SPC	10	0.082	2.1	4.8x4.8x3.8
TDK Corporation				
B82462G4472	4.7	0.04	1.8	6.3x6.3x3.0
B82462G4103	10	0.062	1.3	6.3x6.3x3.0
VLCF4024T-4R7	4.7	0.087	1.43	4.0x4.0x2.4

Several parameters are used to select the correct inductor: maximum rated current, saturation current and copper resistance (DCR). For boost converters, the inductor current is much higher than the output current. The average inductor current is equal to the input current. The inductor's peak current is 30-40% higher than the average. The lower the inductor DCR, the higher the efficiency of the converter: a common trade-off in size versus efficiency.

The saturation current typically specifies a point at which the inductance has rolled off a percentage of the rated value. This can range from a 20% to 40% reduction in inductance. As inductance rolls off, the inductor ripple current increases, as does the peak switch current. It is important to keep the inductance from rolling off too much, causing switch current to reach the peak limit.

5.6 Rectifier Diode Selection

Schottky diodes are used to reduce losses. The diode's current rating has to be equal or higher than the maximum output current. The diode's reverse breakdown voltage must be higher than the internal switch rating voltage of 36V.

The converter's efficiency will be improved if the voltage drop across the diode is lower. The forward voltage rating is forward-current dependent, which is equal in particular to the load current.

For high currents and high ambient temperatures, use a diode with good thermal characteristics.

TABLE 5-3: RECOMMENDED SCHOTTKY DIODES

Type	V _{OUTmax}	T _A
PMEG2005	18V	< 85°C
PMEG4005	36V	< 85°C
MBR0520	18V	< 125°C
MBR0540	36V	< 125°C

5.7 SEPIC Converter Considerations

One of the advantages of using MCP1661 in SEPIC topology is the usage of an output disconnect feature.

Also, the output voltage may be lower or higher than the input voltage, resulting in buck or boost operation. Input voltage is limited to the 2.4-5.5V range.

One major advantage is that the SEPIC converter allows 3.0V or 3.3V buck-boost application from a Li-Ion battery with load disconnect. Also, SEPIC is recommended for higher output voltages where an input-to-output isolation is necessary (due to the coupling capacitor). An application example is shown in [Figure 6-3](#).

The maximum output voltage, V_{OUTmax}, must be limited to the sum of (V_{IN} + V_{OUT}) < 36V, which is the maximum internal switch DC rating. V_{IN} must be ≤ 5.5V.

Some extra aspects need to be taken into account when choosing the external components:

- the DC voltage rating of the coupling capacitor should be at least equal to the maximum input voltage
- the average current rating of the rectifier diode's is equal to the output load current
- the peak current of the rectifier diode is the same as the internal switch current, I_{SW} = I_{IN} + I_{OUT}.

See the notes on [Figure 6-3](#) in **Section 6.0 "Typical Application Circuits"** for some recommended 1:1 coupled inductors.

5.8 Thermal Calculations

The MCP1661 device is available in two different packages (5-lead SOT-23 and 8-lead 2x3 TDFN). By calculating the power dissipation and applying the package thermal resistance (θ_{JA}), the junction temperature is estimated. The maximum continuous junction temperature rating for the MCP1661 device is +125°C.

To quickly estimate the internal power dissipation for the switching boost regulator, an empirical calculation using measured efficiency can be used. Given the measured efficiency, the internal power dissipation is estimated by [Equation 5-2](#).

MCP1661

EQUATION 5-2:

$$\left(\frac{V_{OUT} \times I_{OUT}}{\text{Efficiency}}\right) - (V_{OUT} \times I_{OUT}) = P_{Dis}$$

The difference between the first term, input power, and the second term, power delivered, is the power dissipated when using the MCP1661 device. This is an estimate, assuming that most of the power lost is internal to the MCP1661 and not C_{IN} , C_{OUT} , the diode and the inductor. There is some percentage of power lost in the boost inductor and rectifier diode, with very little loss in the input and output capacitors. For a more accurate estimation of the internal power dissipation, subtract the $I_{INRMS}^2 \times L_{DCR}$ and $I_{OUT} \times V_F$ power dissipation (where I_{NRMS} is the average input current, L_{DCR} is the inductor series resistance and V_F is the diode voltage drop).

5.9 PCB Layout Information

Good printed circuit board layout techniques are important to any switching circuitry, and switching power supplies are no different. When wiring the switching high-current paths, short and wide traces should be used. Therefore, it is important that the input and output capacitors be placed as close as possible to the MCP1661 to minimize the loop area.

The feedback resistors and feedback signal should be routed away from the switching node and the switching current loop. When possible, ground planes and traces should be used to help shield the feedback signal and minimize noise and magnetic interference.

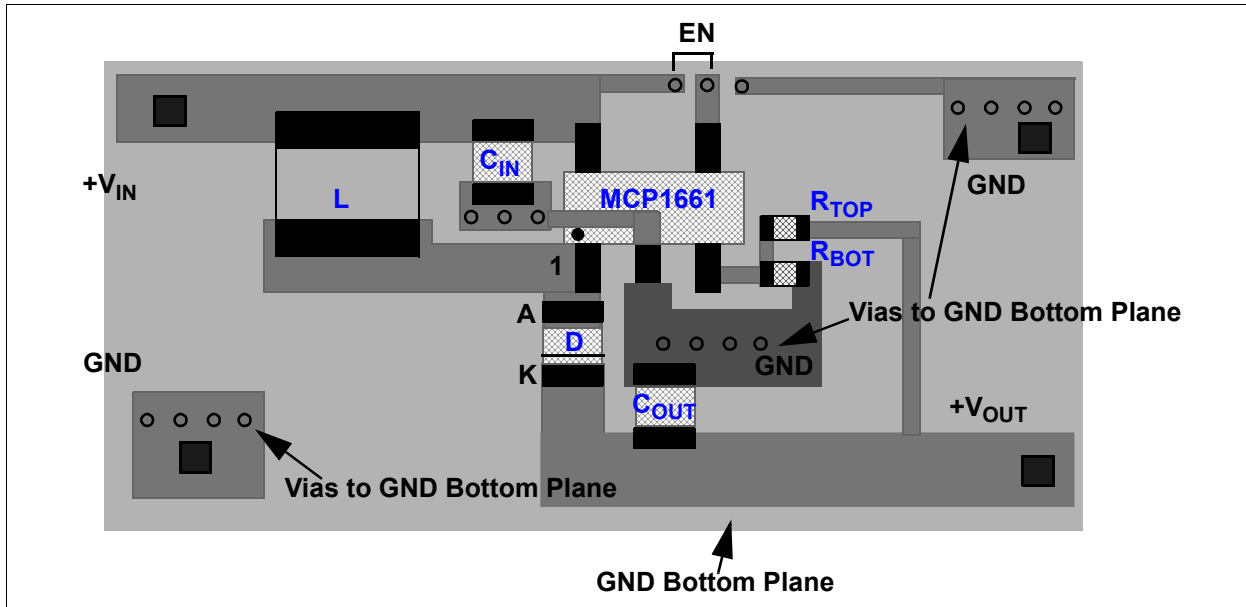


FIGURE 5-1: 5-Lead SOT-23 Recommended Layout.

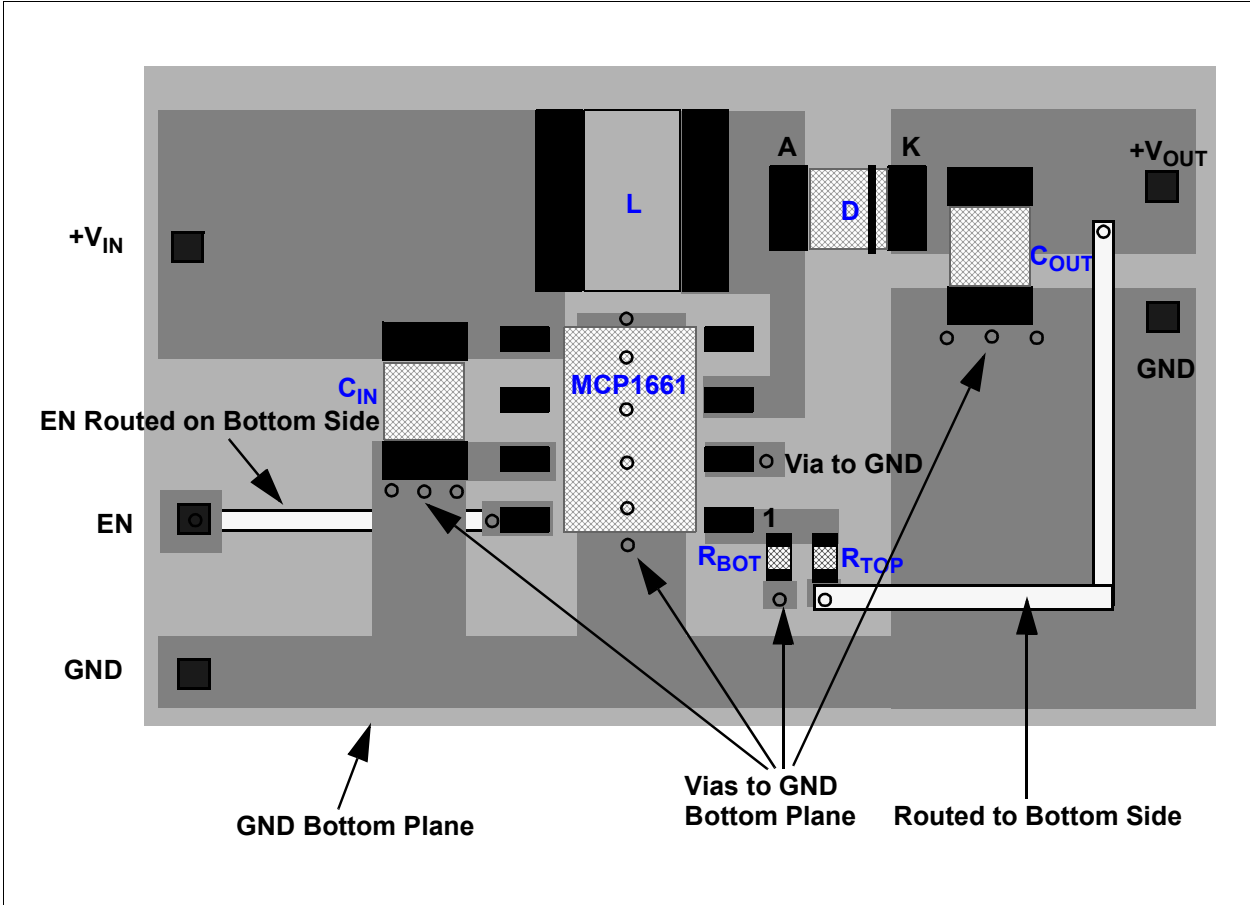


FIGURE 5-2: 8-Lead TDFN Recommended Layout.

MCP1661

6.0 TYPICAL APPLICATION CIRCUITS

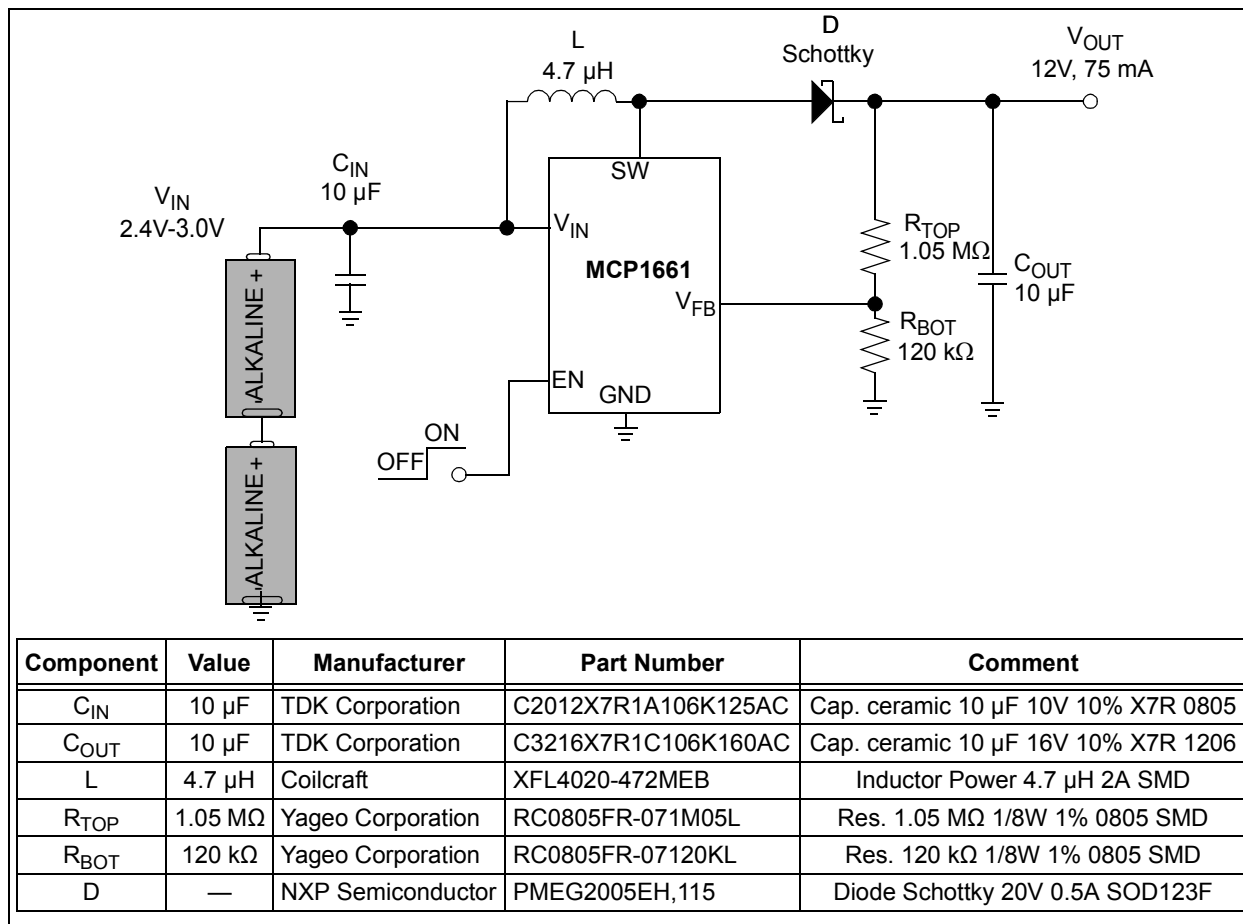


FIGURE 6-1: Two Alkaline Cells to 12V Boost Converter.

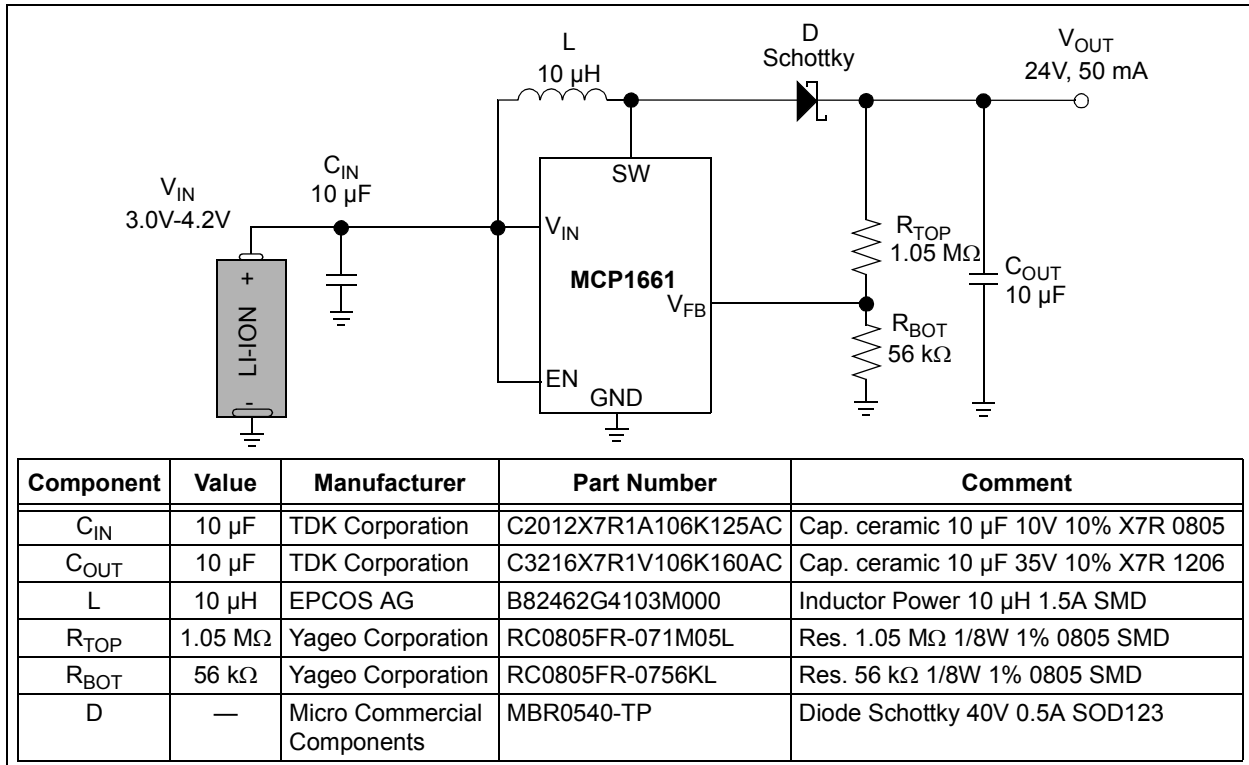
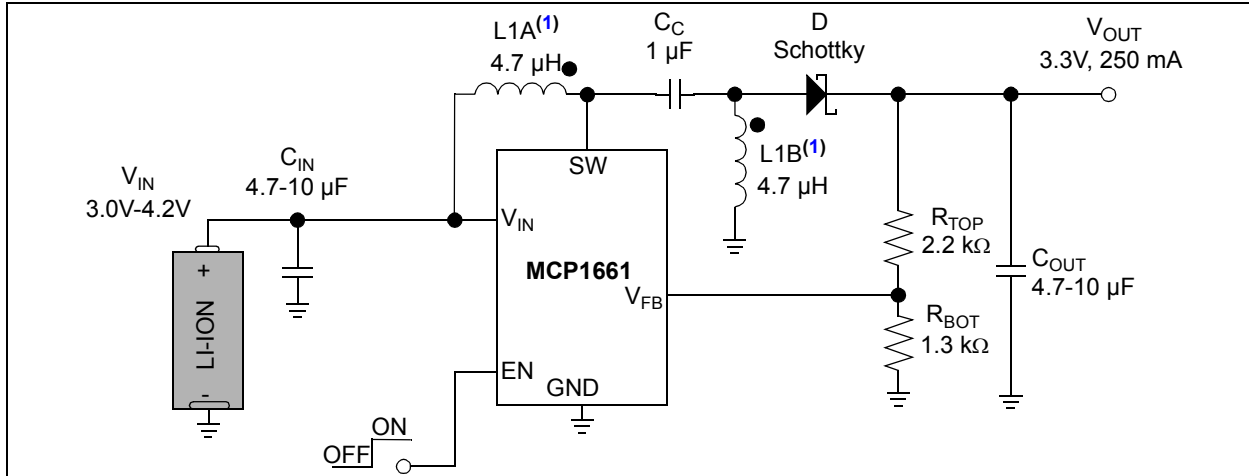


FIGURE 6-2: Single Li-Ion Cell to 24V Output Boost Converter.

MCP1661



Note 1: Recommended 1:1 coupled inductors.

Component	Value	Manufacturer	Part Number	Comment
C _{IN}	10 µF	TDK Corporation	C2012X7R1A106K125AC	Cap. ceramic 10 µF 10V 10% X7R 0805
C _{OUT}	10 µF	TDK Corporation	C3216X7R1V106K160AC	Cap. ceramic 10 µF 35V 10% X7R 1206
C _C	1 µF	TDK Corporation	C2012X7R1E105K125AB	Cap. ceramic 1 µF 25V 10% X7R 0805
L	4.7 µH	Würth Elektronik	744878004	Inductor Array 2 Coil 4.7 µH SMD
R _{TOP}	2.2 kΩ	Yageo Corporation	RC0805FR-072K2L	Res. 2.2 kΩ 1/8W 1% 0805 SMD
R _{BOT}	1.3 kΩ	Yageo Corporation	RC0805FR-071K3L	Res. 1.3 kΩ 1/8W 1% 0805 SMD
D	—	NXP Semiconductors	PMEG2020AEA,115	Diode Schottky 20V 2A SOD323

FIGURE 6-3: Single Li-Ion Cell to 3.3V Output Buck-Boost (SEPIC) Converter with 1:1 Coupled Inductors and Load Disconnect.

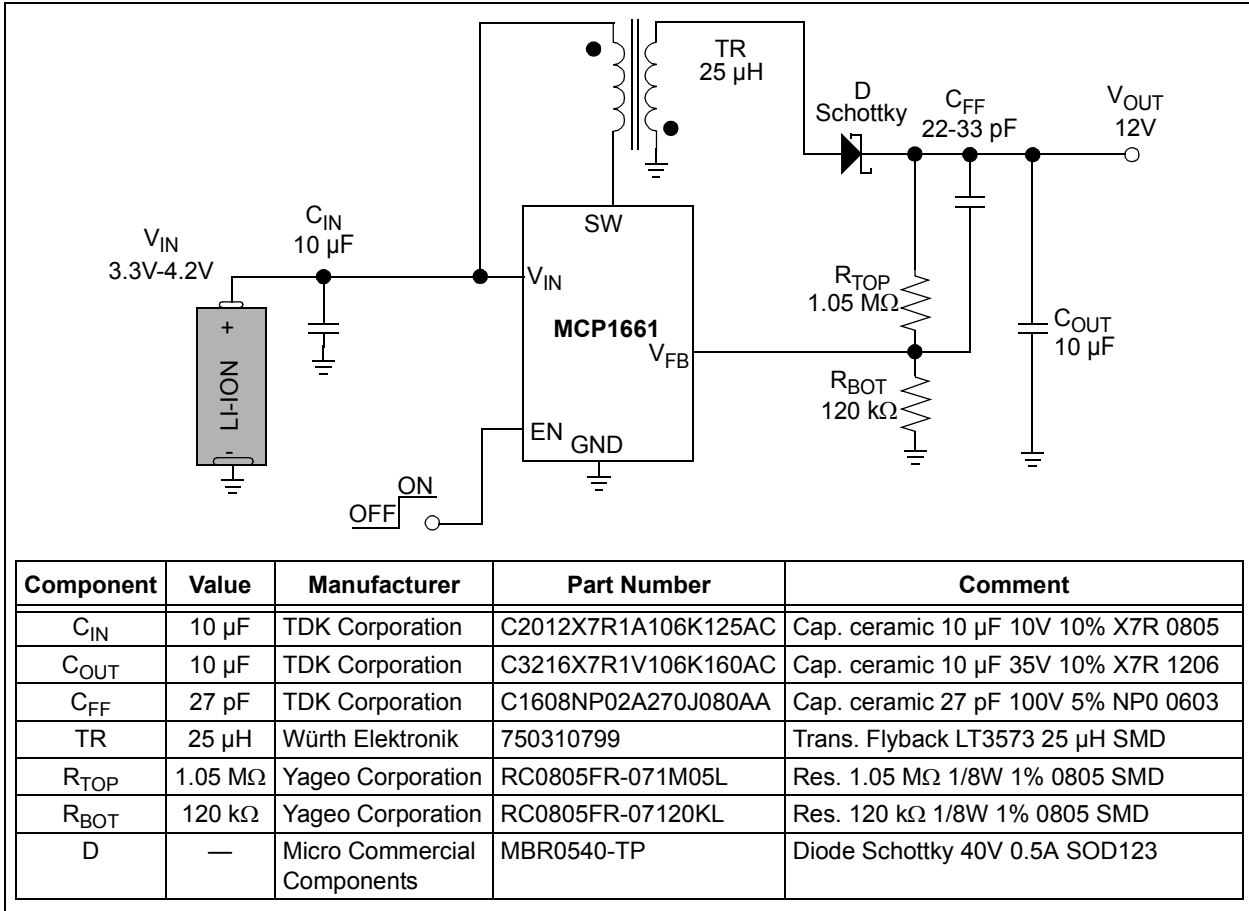


FIGURE 6-4: Single Li-Ion Cell to 12V Flyback Converter for Low Load Currents Application Example.

MCP1661

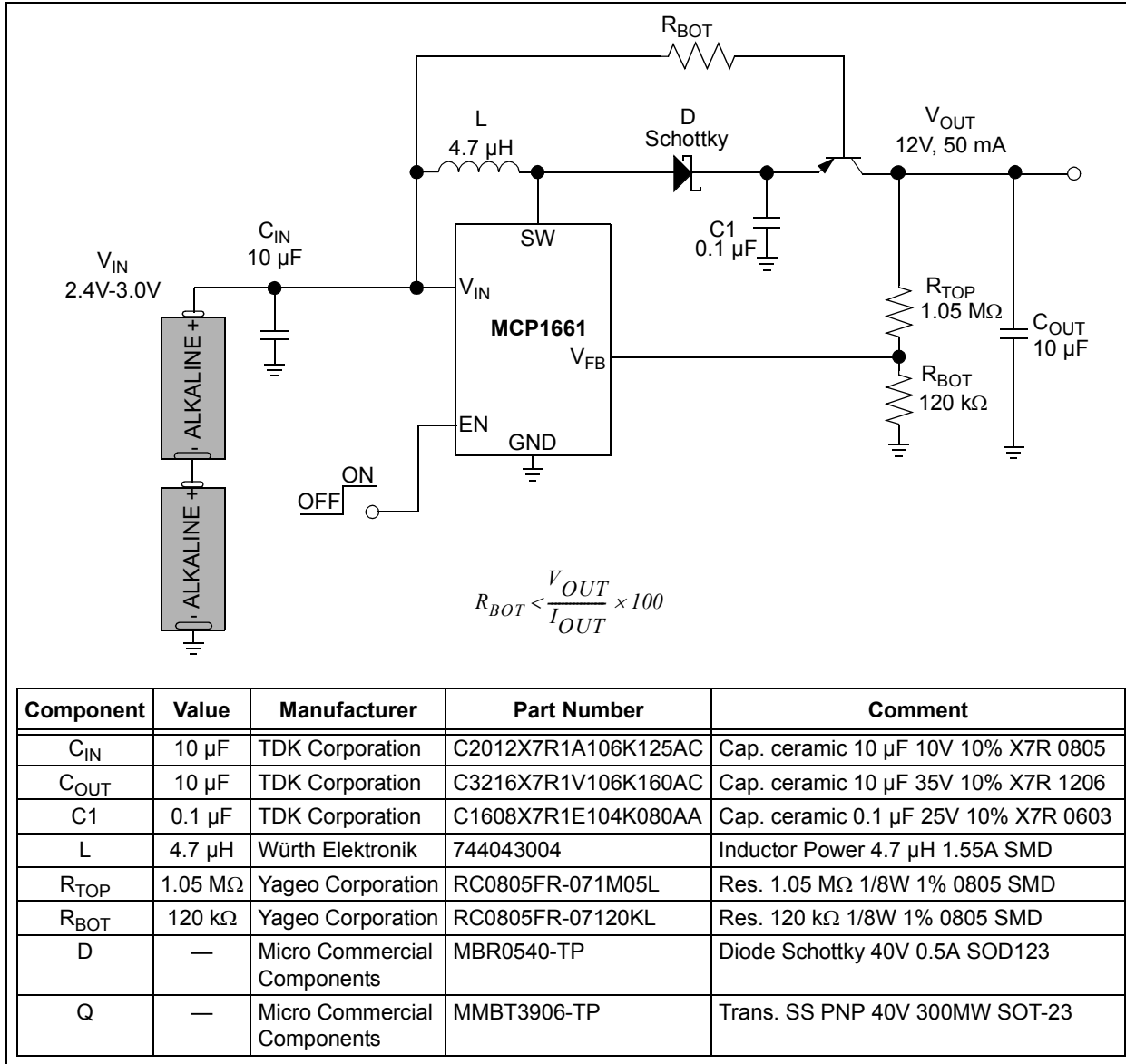
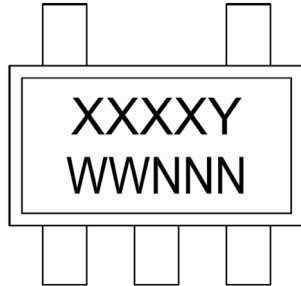


FIGURE 6-5: Two Alkaline Cells to 12V Boost Converter with Load Disconnect Application Example.

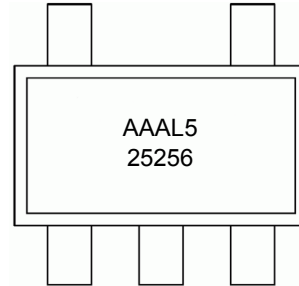
7.0 PACKAGING INFORMATION

7.1 Package Marking Information

5-Lead SOT-23



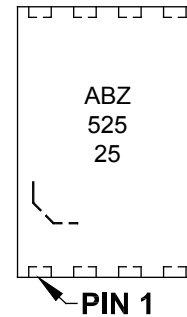
Example



8-Lead TDFN (2x3x0.75 mm)



Example

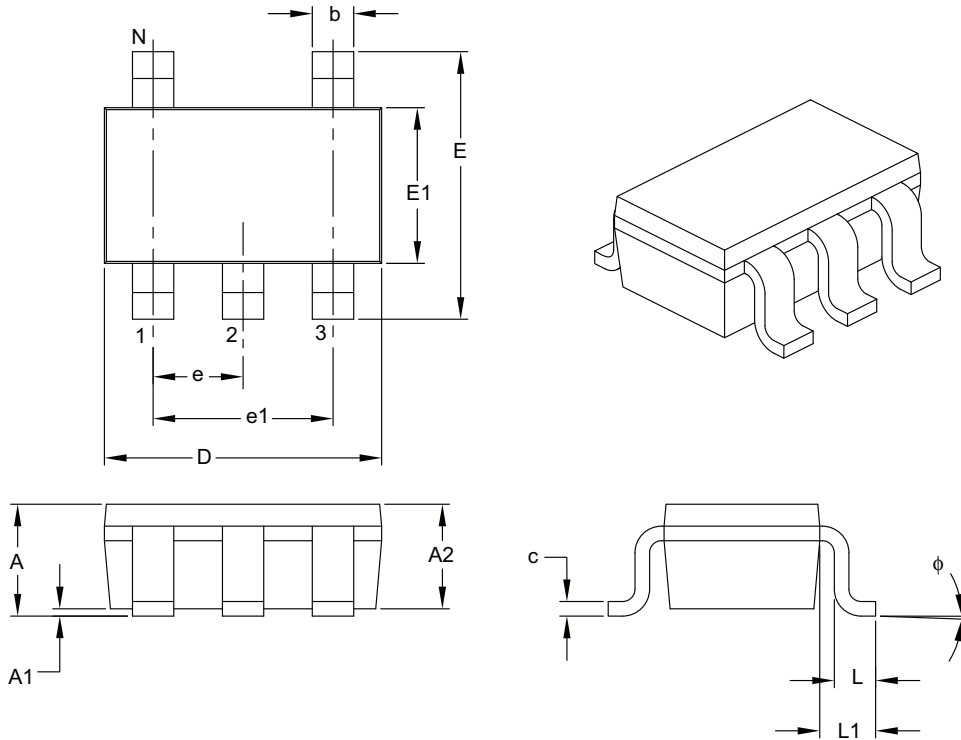


Legend:	XX...X	Customer-specific information
	Y	Year code (last digit of calendar year)
	YY	Year code (last 2 digits of calendar year)
	WW	Week code (week of January 1 is week '01')
	NNN	Alphanumeric traceability code
	(e3)	Pb-free JEDEC® designator for Matte Tin (Sn)
	*	This package is Pb-free. The Pb-free JEDEC designator (e3) can be found on the outer packaging for this package.
Note:	In the event the full Microchip part number cannot be marked on one line, it will be carried over to the next line, thus limiting the number of available characters for customer-specific information.	

MCP1661

5-Lead Plastic Small Outline Transistor (OT) [SOT-23]

Note: For the most current package drawings, please see the Microchip Packaging Specification located at <http://www.microchip.com/packaging>



Dimension Limits	Units	MILLIMETERS		
		MIN	NOM	MAX
Number of Pins	N	5		
Lead Pitch	e	0.95 BSC		
Outside Lead Pitch	e1	1.90 BSC		
Overall Height	A	0.90	–	1.45
Molded Package Thickness	A2	0.89	–	1.30
Standoff	A1	0.00	–	0.15
Overall Width	E	2.20	–	3.20
Molded Package Width	E1	1.30	–	1.80
Overall Length	D	2.70	–	3.10
Foot Length	L	0.10	–	0.60
Footprint	L1	0.35	–	0.80
Foot Angle	ϕ	0°	–	30°
Lead Thickness	c	0.08	–	0.26
Lead Width	b	0.20	–	0.51

Notes:

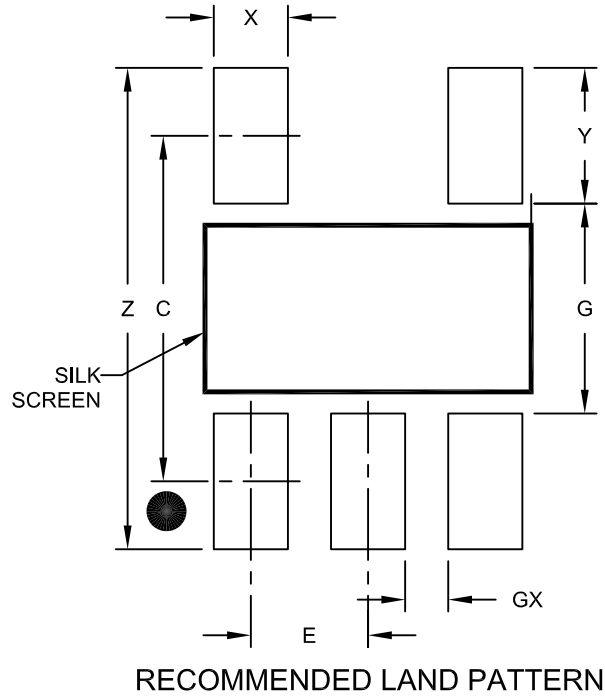
- Dimensions D and E1 do not include mold flash or protrusions. Mold flash or protrusions shall not exceed 0.127 mm per side.
- Dimensioning and tolerancing per ASME Y14.5M.

BSC: Basic Dimension. Theoretically exact value shown without tolerances.

Microchip Technology Drawing C04-091B

5-Lead Plastic Small Outline Transistor (OT) [SOT-23]

Note: For the most current package drawings, please see the Microchip Packaging Specification located at <http://www.microchip.com/packaging>



Dimension Limits	Units	MILLIMETERS		
		MIN	NOM	MAX
Contact Pitch	E	0.95 BSC		
Contact Pad Spacing	C		2.80	
Contact Pad Width (X5)	X			0.60
Contact Pad Length (X5)	Y			1.10
Distance Between Pads	G	1.70		
Distance Between Pads	GX	0.35		
Overall Width	Z			3.90

Notes:

1. Dimensioning and tolerancing per ASME Y14.5M

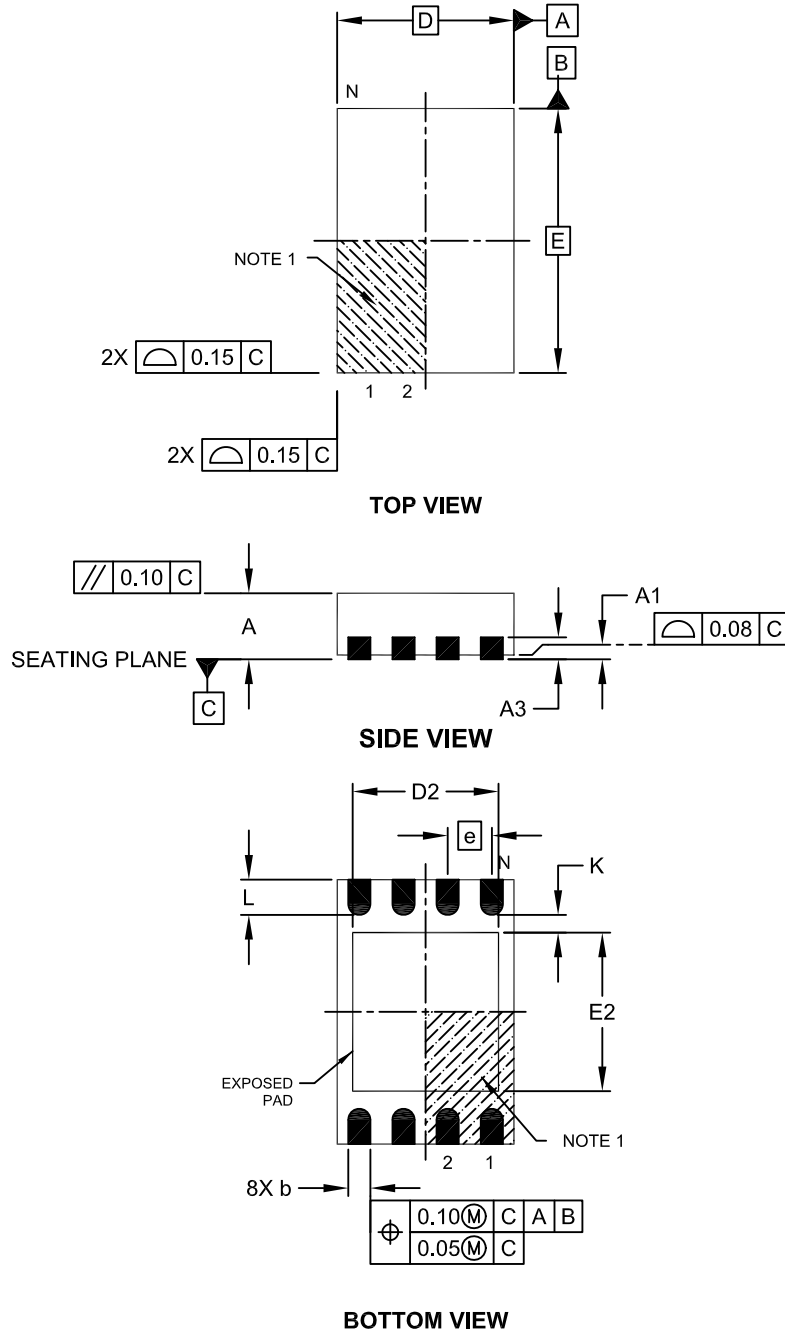
BSC: Basic Dimension. Theoretically exact value shown without tolerances.

Microchip Technology Drawing No. C04-2091A

MCP1661

8-Lead Plastic Dual Flat, No Lead Package (MN) – 2x3x0.75mm Body [TDFN]

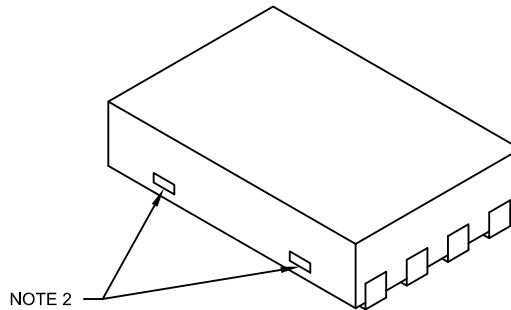
Note: For the most current package drawings, please see the Microchip Packaging Specification located at <http://www.microchip.com/packaging>



Microchip Technology Drawing No. C04-129C Sheet 1 of 2

8-Lead Plastic Dual Flat, No Lead Package (MN) – 2x3x0.75mm Body [TDFN]

Note: For the most current package drawings, please see the Microchip Packaging Specification located at <http://www.microchip.com/packaging>



Dimension Limits	Units	MILLIMETERS		
		MIN	NOM	MAX
Number of Pins	N	8		
Pitch	e	0.50 BSC		
Overall Height	A	0.70	0.75	0.80
Standoff	A1	0.00	0.02	0.05
Contact Thickness	A3	0.20 REF		
Overall Length	D	2.00 BSC		
Overall Width	E	3.00 BSC		
Exposed Pad Length	D2	1.20	-	1.60
Exposed Pad Width	E2	1.20	-	1.60
Contact Width	b	0.20	0.25	0.30
Contact Length	L	0.25	0.30	0.45
Contact-to-Exposed Pad	K	0.20	-	-

Notes:

1. Pin 1 visual index feature may vary, but must be located within the hatched area.
2. Package may have one or more exposed tie bars at ends.
3. Package is saw singulated
4. Dimensioning and tolerancing per ASME Y14.5M

BSC: Basic Dimension. Theoretically exact value shown without tolerances.

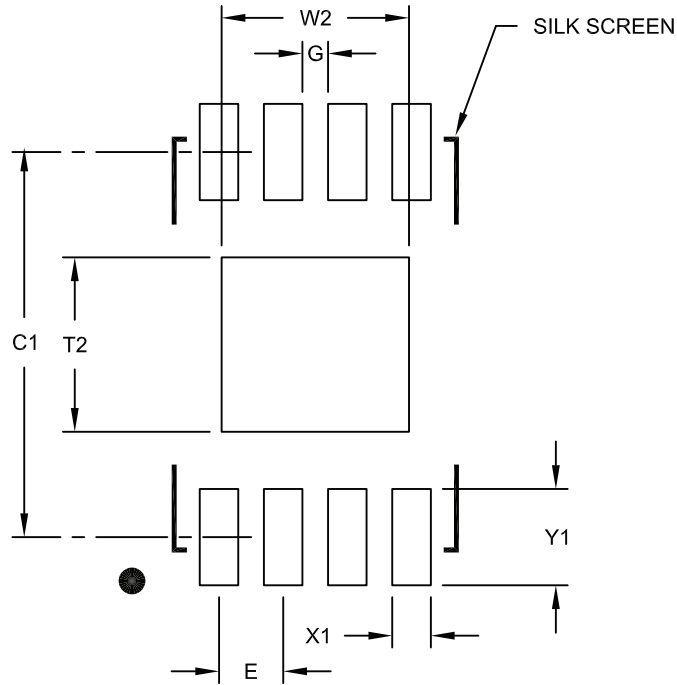
REF: Reference Dimension, usually without tolerance, for information purposes only.

Microchip Technology Drawing No. C04-129C Sheet 2 of 2

MCP1661

8-Lead Plastic Dual Flat, No Lead Package (MN) – 2x3x0.75 mm Body [TDFN]

Note: For the most current package drawings, please see the Microchip Packaging Specification located at <http://www.microchip.com/packaging>



RECOMMENDED LAND PATTERN

Dimension Limits	Units	MILLIMETERS		
		MIN	NOM	MAX
Contact Pitch	E	0.50 BSC		
Optional Center Pad Width	W2			1.46
Optional Center Pad Length	T2			1.36
Contact Pad Spacing	C1		3.00	
Contact Pad Width (X8)	X1			0.30
Contact Pad Length (X8)	Y1			0.75
Distance Between Pads	G	0.20		

Notes:

1. Dimensioning and tolerancing per ASME Y14.5M

BSC: Basic Dimension. Theoretically exact value shown without tolerances.

Microchip Technology Drawing No. C04-2129A

APPENDIX A: REVISION HISTORY

Revision B (February 2015)

The following is the list of modifications:

1. Updated **Section 6.0 “Typical Application Circuits”**.
2. Added legend tables for [Figures 6-3](#) to [6-5](#).
3. Minor typographical corrections.

Revision A (June 2014)

- Original Release of this Document.

MCP1661

PRODUCT IDENTIFICATION SYSTEM

To order or obtain information, e.g., on pricing or delivery, refer to the factory or the listed sales office.

<u>PART NO.</u>	<u>[X]⁽¹⁾</u>	<u>X</u>	<u>[XX]</u>
Device	Tape and Reel Option	Temperature Range	Package
Device:	MCP1661: High-Voltage Step-Up LED Driver with UVLO and OLP		
Tape and Reel Option:	T	= Tape and Reel ⁽¹⁾	
Temperature Range:	E	= -40°C to +125°C (Extended)	
Package:	MN*	= Plastic Dual Flat, No Lead – 2x3x0.75 mm Body (TDFN)	
	OT	= Plastic Small Outline Transistor (SOT-23)	
	*Y	= Nickel palladium gold manufacturing designator. Only available on the TDFN package.	

Examples:

a) MCP1661T-E/MNY: Tape and Reel, Extended temperature, 8LD TDFN package

b) MCP1661T-E/OT: Tape and Reel, Extended temperature, 5LD SOT-23 package

Note 1: Tape and Reel identifier only appears in the catalog part number description. This identifier is used for ordering purposes and is not printed on the device package. Check with your Microchip Sales Office for package availability with the Tape and Reel option.

Note the following details of the code protection feature on Microchip devices:

- Microchip products meet the specification contained in their particular Microchip Data Sheet.
- Microchip believes that its family of products is one of the most secure families of its kind on the market today, when used in the intended manner and under normal conditions.
- There are dishonest and possibly illegal methods used to breach the code protection feature. All of these methods, to our knowledge, require using the Microchip products in a manner outside the operating specifications contained in Microchip's Data Sheets. Most likely, the person doing so is engaged in theft of intellectual property.
- Microchip is willing to work with the customer who is concerned about the integrity of their code.
- Neither Microchip nor any other semiconductor manufacturer can guarantee the security of their code. Code protection does not mean that we are guaranteeing the product as “unbreakable.”

Code protection is constantly evolving. We at Microchip are committed to continuously improving the code protection features of our products. Attempts to break Microchip's code protection feature may be a violation of the Digital Millennium Copyright Act. If such acts allow unauthorized access to your software or other copyrighted work, you may have a right to sue for relief under that Act.

Information contained in this publication regarding device applications and the like is provided only for your convenience and may be superseded by updates. It is your responsibility to ensure that your application meets with your specifications. MICROCHIP MAKES NO REPRESENTATIONS OR WARRANTIES OF ANY KIND WHETHER EXPRESS OR IMPLIED, WRITTEN OR ORAL, STATUTORY OR OTHERWISE, RELATED TO THE INFORMATION, INCLUDING BUT NOT LIMITED TO ITS CONDITION, QUALITY, PERFORMANCE, MERCHANTABILITY OR FITNESS FOR PURPOSE. Microchip disclaims all liability arising from this information and its use. Use of Microchip devices in life support and/or safety applications is entirely at the buyer's risk, and the buyer agrees to defend, indemnify and hold harmless Microchip from any and all damages, claims, suits, or expenses resulting from such use. No licenses are conveyed, implicitly or otherwise, under any Microchip intellectual property rights.

Trademarks

The Microchip name and logo, the Microchip logo, dsPIC, FlashFlex, flexPWR, JukeBlox, KEELOQ, KEELOQ logo, Klear, LANCheck, MediaLB, MOST, MOST logo, MPLAB, OptoLyzer, PIC, PICSTART, PIC³² logo, RightTouch, SpyNIC, SST, SST Logo, SuperFlash and UNI/O are registered trademarks of Microchip Technology Incorporated in the U.S.A. and other countries.

The Embedded Control Solutions Company and mTouch are registered trademarks of Microchip Technology Incorporated in the U.S.A.

Analog-for-the-Digital Age, BodyCom, chipKIT, chipKIT logo, CodeGuard, dsPICDEM, dsPICDEM.net, ECAN, In-Circuit Serial Programming, ICSP, Inter-Chip Connectivity, KlearNet, KlearNet logo, MiWi, MPASM, MPF, MPLAB Certified logo, MPLIB, MPLINK, MultiTRAK, NetDetach, Omniscient Code Generation, PICDEM, PICDEM.net, PICkit, PICtail, RightTouch logo, REAL ICE, SQI, Serial Quad I/O, Total Endurance, TSHARC, USBCheck, VariSense, ViewSpan, WiperLock, Wireless DNA, and ZENA are trademarks of Microchip Technology Incorporated in the U.S.A. and other countries.

SQTP is a service mark of Microchip Technology Incorporated in the U.S.A.

Silicon Storage Technology is a registered trademark of Microchip Technology Inc. in other countries.

GestIC is a registered trademarks of Microchip Technology Germany II GmbH & Co. KG, a subsidiary of Microchip Technology Inc., in other countries.

All other trademarks mentioned herein are property of their respective companies.

© 2014-2015, Microchip Technology Incorporated, Printed in the U.S.A., All Rights Reserved.

ISBN: 978-1-63277-121-6

QUALITY MANAGEMENT SYSTEM
CERTIFIED BY DNV
== ISO/TS 16949 ==

Microchip received ISO/TS-16949:2009 certification for its worldwide headquarters, design and wafer fabrication facilities in Chandler and Tempe, Arizona; Gresham, Oregon and design centers in California and India. The Company's quality system processes and procedures are for its PIC® MCUs and dsPIC® DSCs, KEELOQ® code hopping devices, Serial EEPROMs, microperipherals, nonvolatile memory and analog products. In addition, Microchip's quality system for the design and manufacture of development systems is ISO 9001:2000 certified.



MICROCHIP

Worldwide Sales and Service

AMERICAS

Corporate Office

2355 West Chandler Blvd.
Chandler, AZ 85224-6199
Tel: 480-792-7200
Fax: 480-792-7277
Technical Support:
<http://www.microchip.com/support>

Web Address:

www.microchip.com

Atlanta

Duluth, GA
Tel: 678-957-9614
Fax: 678-957-1455

Austin, TX

Tel: 512-257-3370

Boston

Westborough, MA
Tel: 774-760-0087
Fax: 774-760-0088

Chicago

Itasca, IL
Tel: 630-285-0071
Fax: 630-285-0075

Cleveland

Independence, OH
Tel: 216-447-0464
Fax: 216-447-0643

Dallas

Addison, TX
Tel: 972-818-7423
Fax: 972-818-2924

Detroit

Novi, MI
Tel: 248-848-4000

Houston, TX

Tel: 281-894-5983
Indianapolis

Noblesville, IN

Tel: 317-773-8323
Fax: 317-773-5453

Los Angeles

Mission Viejo, CA
Tel: 949-462-9523
Fax: 949-462-9608

New York, NY

Tel: 631-435-6000

San Jose, CA

Tel: 408-735-9110

Canada - Toronto

Tel: 905-673-0699
Fax: 905-673-6509

ASIA/PACIFIC

Asia Pacific Office

Suites 3707-14, 37th Floor
Tower 6, The Gateway
Harbour City, Kowloon

Hong Kong

Tel: 852-2943-5100
Fax: 852-2401-3431

Australia - Sydney

Tel: 61-2-9868-6733
Fax: 61-2-9868-6755

China - Beijing

Tel: 86-10-8569-7000
Fax: 86-10-8528-2104

China - Chengdu

Tel: 86-28-8665-5511
Fax: 86-28-8665-7889

China - Chongqing

Tel: 86-23-8980-9588
Fax: 86-23-8980-9500

China - Dongguan

Tel: 86-769-8702-9880

China - Hangzhou

Tel: 86-571-8792-8115
Fax: 86-571-8792-8116

China - Hong Kong SAR

Tel: 852-2943-5100
Fax: 852-2401-3431

China - Nanjing

Tel: 86-25-8473-2460
Fax: 86-25-8473-2470

China - Qingdao

Tel: 86-532-8502-7355
Fax: 86-532-8502-7205

China - Shanghai

Tel: 86-21-5407-5533
Fax: 86-21-5407-5066

China - Shenyang

Tel: 86-24-2334-2829
Fax: 86-24-2334-2393

China - Shenzhen

Tel: 86-755-8864-2200
Fax: 86-755-8203-1760

China - Wuhan

Tel: 86-27-5980-5300
Fax: 86-27-5980-5118

China - Xian

Tel: 86-29-8833-7252
Fax: 86-29-8833-7256

ASIA/PACIFIC

China - Xiamen

Tel: 86-592-2388138
Fax: 86-592-2388130

China - Zhuhai

Tel: 86-756-3210040
Fax: 86-756-3210049

India - Bangalore

Tel: 91-80-3090-4444
Fax: 91-80-3090-4123

India - New Delhi

Tel: 91-11-4160-8631
Fax: 91-11-4160-8632

India - Pune

Tel: 91-20-3019-1500

Japan - Osaka

Tel: 81-6-6152-7160
Fax: 81-6-6152-9310

Japan - Tokyo

Tel: 81-3-6880-3770
Fax: 81-3-6880-3771

Korea - Daegu

Tel: 82-53-744-4301
Fax: 82-53-744-4302

Korea - Seoul

Tel: 82-2-554-7200
Fax: 82-2-558-5932 or
82-2-558-5934

Malaysia - Kuala Lumpur

Tel: 60-3-6201-9857
Fax: 60-3-6201-9859

Malaysia - Penang

Tel: 60-4-227-8870
Fax: 60-4-227-4068

Philippines - Manila

Tel: 63-2-634-9065
Fax: 63-2-634-9069

Singapore

Tel: 65-6334-8870
Fax: 65-6334-8850

Taiwan - Hsin Chu

Tel: 886-3-5778-366
Fax: 886-3-5770-955

Taiwan - Kaohsiung

Tel: 886-7-213-7828

Taiwan - Taipei

Tel: 886-2-2508-8600
Fax: 886-2-2508-0102

Thailand - Bangkok

Tel: 66-2-694-1351
Fax: 66-2-694-1350

EUROPE

Austria - Wels

Tel: 43-7242-2244-39
Fax: 43-7242-2244-393

Denmark - Copenhagen

Tel: 45-4450-2828
Fax: 45-4485-2829

France - Paris

Tel: 33-1-69-53-63-20
Fax: 33-1-69-30-90-79

Germany - Dusseldorf

Tel: 49-2129-3766400

Germany - Munich

Tel: 49-89-627-144-0
Fax: 49-89-627-144-44

Germany - Pforzheim

Tel: 49-7231-424750

Italy - Milan

Tel: 39-0331-742611
Fax: 39-0331-466781

Italy - Venice

Tel: 39-049-7625286

Netherlands - Drunen

Tel: 31-416-690399
Fax: 31-416-690340

Poland - Warsaw

Tel: 48-22-3325737

Spain - Madrid

Tel: 34-91-708-08-90
Fax: 34-91-708-08-91

Sweden - Stockholm

Tel: 46-8-5090-4654

UK - Wokingham

Tel: 44-118-921-5800
Fax: 44-118-921-5820

01/27/15