



# MICROCHIP New Peripherals Tips 'n Tricks

## The Complementary Waveform Generator (CWG), Configurable Logic Cell (CLC), and the Numerically Controlled Oscillator (NCO) Peripherals

### TIPS 'N TRICKS INTRODUCTION

Microchip continues to provide innovative products that are smaller, faster, easier to use and more reliable. Flash-based PIC<sup>®</sup> MCUs are used in a wide range of every day products from smoke detectors to industrial, automotive and medical products.

The PIC16(L)F150X and PIC10(L)F32X families of devices with on-chip configurable logic cells, merge all the advantages of the PIC MCU architecture and the flexibility of Flash program memory, with the functionality of a configurable digital logic cell. Together, they form a low-cost building block with resource savings and external component reduction.

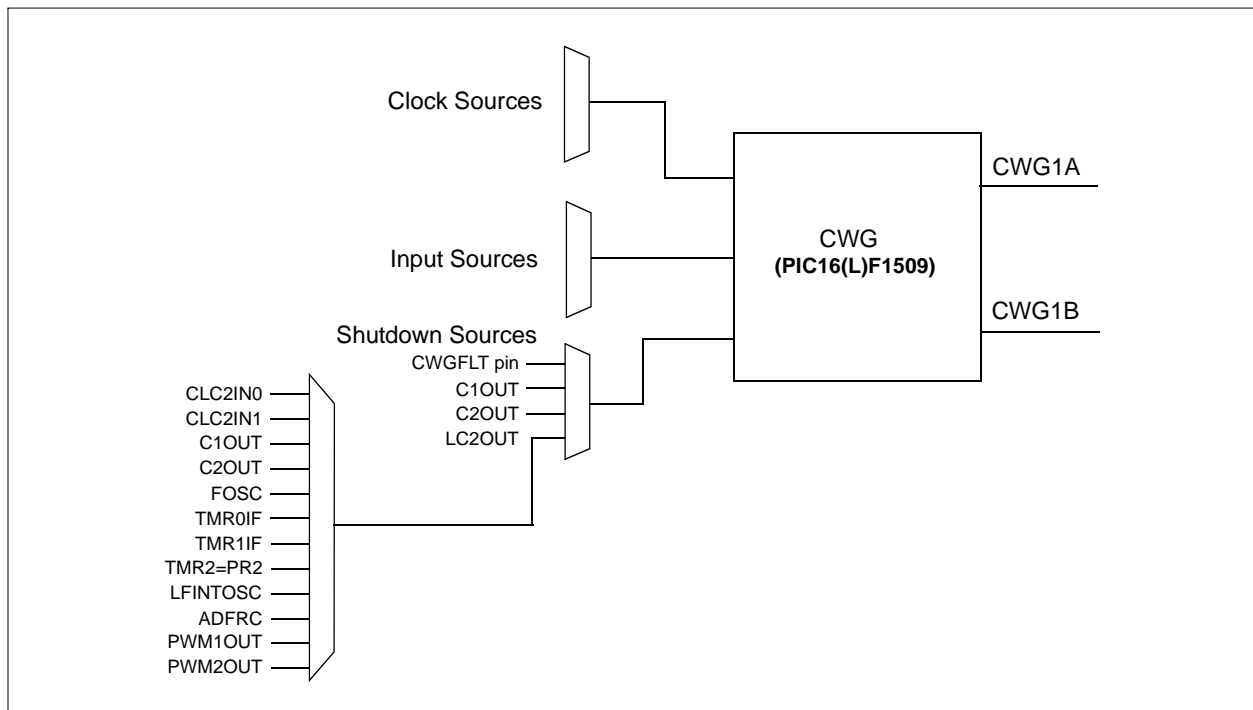
The flexibility of Flash and an excellent development tool suite, including a low-cost In-Circuit Debugger, In-Circuit Serial Programming<sup>™</sup> (ICSP<sup>™</sup>) and CLC Configuration Tool GUI, make these devices ideal for just about any embedded control application.

The following Tips 'n Tricks can be applied to a variety of applications to help make the most of digital logic functions using a PIC MCU with on-chip configurable logic.

### TIP 1: EXTENDING AUTO-SHUTDOWN CONDITIONS/INPUTS FOR THE CWG

Have you ever found yourself in a situation where your PWM application needs more auto-shutdown conditions, other than the software driven ones, due to resource limitations? Here is a solution. The Complementary Waveform Generator (CWG) has two auto-shutdown condition inputs: the CWG1FLT pin for external conditions, and the output from the Configurable Logic Cell (CLC), LCxOUT -> LC2OUT. Use the CLC to your advantage. By selecting the CLC output as an auto-shutdown source, all of the inputs to the CLC are available as auto-shutdown conditions for your CWG (Figure 1).

FIGURE 1: EXTENDING THE CWG'S AUTO-SHUTDOWN SOURCES



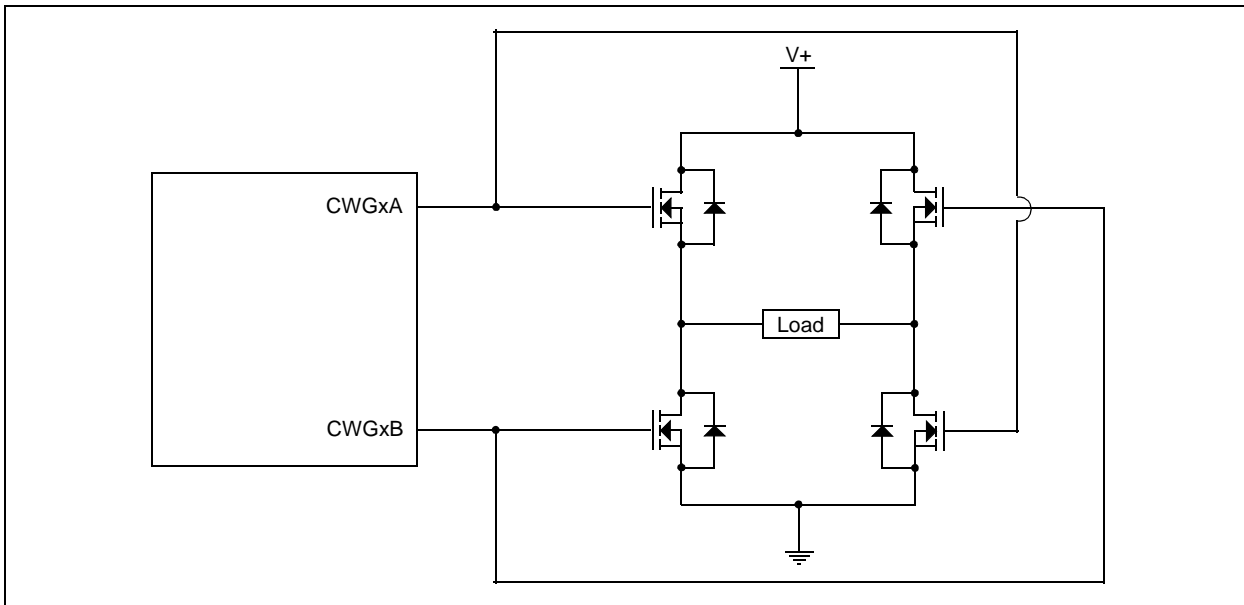
# New Peripherals Tips 'n Tricks

## TIP 2: DRIVING A HALF-BRIDGE OR A FULL-BRIDGE DRIVE CIRCUIT USING THE CWG

Do not think a high pin count microcontroller is needed to drive a half-bridge or full-bridge motor drive circuit. It can be done using the PWM in conjunction with the CWG module.

Setup the PWM module to output the desired drive signal to the CWG input. Now, configure the CWG to output the drive signal, and its complement, with the appropriate dead-band delay, to provide for non-overlapping output signals that drive the motor drive circuit, thus preventing shoot-through current. See [Figure 2](#) for an illustration of a CWG driving a full-bridge drive circuit.

**FIGURE 2: CWG DRIVING A FULL-BRIDGE DRIVE CIRCUIT**



# New Peripherals Tips 'n Tricks

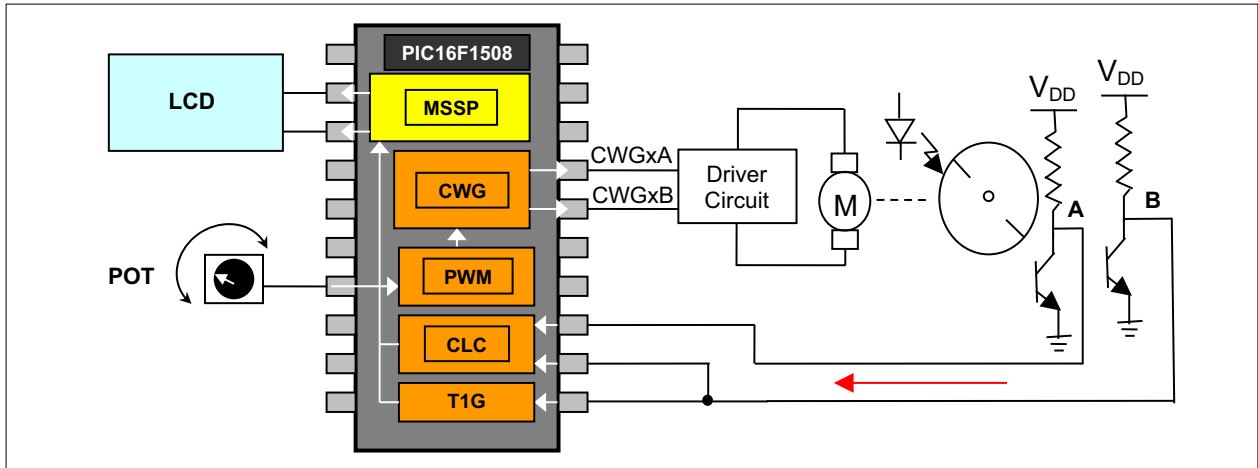
## TIP 3: MEASURING DC MOTOR SPEED AND POSITION USING A QUADRATURE DECODER

Rotary encoders are typically used to provide direct physical feedback of motor position, and/or speed. A rotary encoder consists of a rotary element attached to the motor that has a physical feature, measured by a stationary component. The measurements can yield motor speed and sometimes can provide a motor position. Rotary encoders are built using many different technologies. The most common type is an optical rotary encoder. The optical rotary encoder is used in computer mice that have a ball. It is built with an encoder disc that is attached to the motor. The encoder disc has many radial slots cut into the disc at specific intervals. An LED and a photo detector are used to count the slots as they rotate. The speed of rotation can be determined by timing the rate of the slots' revolutions.

Sensing motor position requires a second LED and photo detector. The second sensor pair is mounted so the output pulse is 90° out of phase from the first pair. The two outputs represent the motion of the encoder disc as a quadrature modulated pulse train.

In this application example, the PWM module is used to generate a signal, controlled by an external potentiometer, then configuring it as an input to the CWG to drive a motor drive circuit. As the motor turns, spinning a disk with slots cut into it allowing light from a LED to shine through and on two photo transistors (A and B). As the light hits the photo transistors, a logic '0' is read on the input pin of the microcontroller. Therefore, as the input from photo transistor B is read into the microcontroller, the time calculated between every other falling edge (via Timer1 gate) of the input pulse signal corresponds to the speed of the motor. Now, with photo transistor A 90° from transistor B, you can determine the direction of the motor by using the CLC to determine which photo transistor was turned on first. See [Figure 3](#).

FIGURE 3: QUADRATURE DECODER SIMPLIFIED SCHEMATIC



# New Peripherals Tips 'n Tricks

## TIP 4: MANCHESTER DECODING USING THE CLC AND NCO

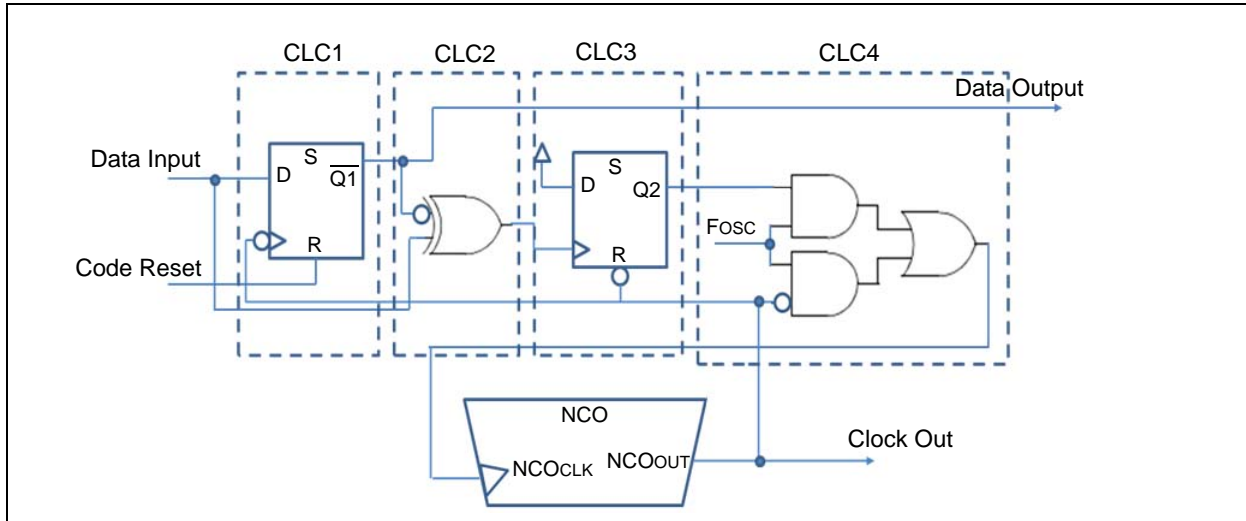
If a EUSART can be used for Manchester encoding, a Configurable Logic Cell (CLC) and a Numerically Controlled Oscillator (NCO) can be used for Manchester decoding.

This tip presents a method to decode a Manchester encoded signal using four CLCs and the NCO to separate the SPI data signal from a SPI clock signal. See [Figure 4](#). After selecting a microcontroller with four CLCs and an NCO, such as the PIC16F1509, configure the CLC1 to input the Manchester encoded data signal into a D flip-flop that is clocked by the inverse of the clock out signal that you are separating. See [Figure 5](#). The inverted output of this flip-flop is the output data

you are decoding. Next, configure the CLC2 to XOR the non-inverted output of CLC1 with the encoded data signal from the input of CLC1. See [Figure 6](#). This XOR output establishes the positive edge to which the output data is derived. Use this XOR output to clock the CLC3. See [Figure 7](#). Setup CLC3 using a logic high input and output CLC3 to the input of CLC4, which AND-Ors it to the internal oscillator frequency (Fosc) of the microcontroller and the clock out signal from the NCO.

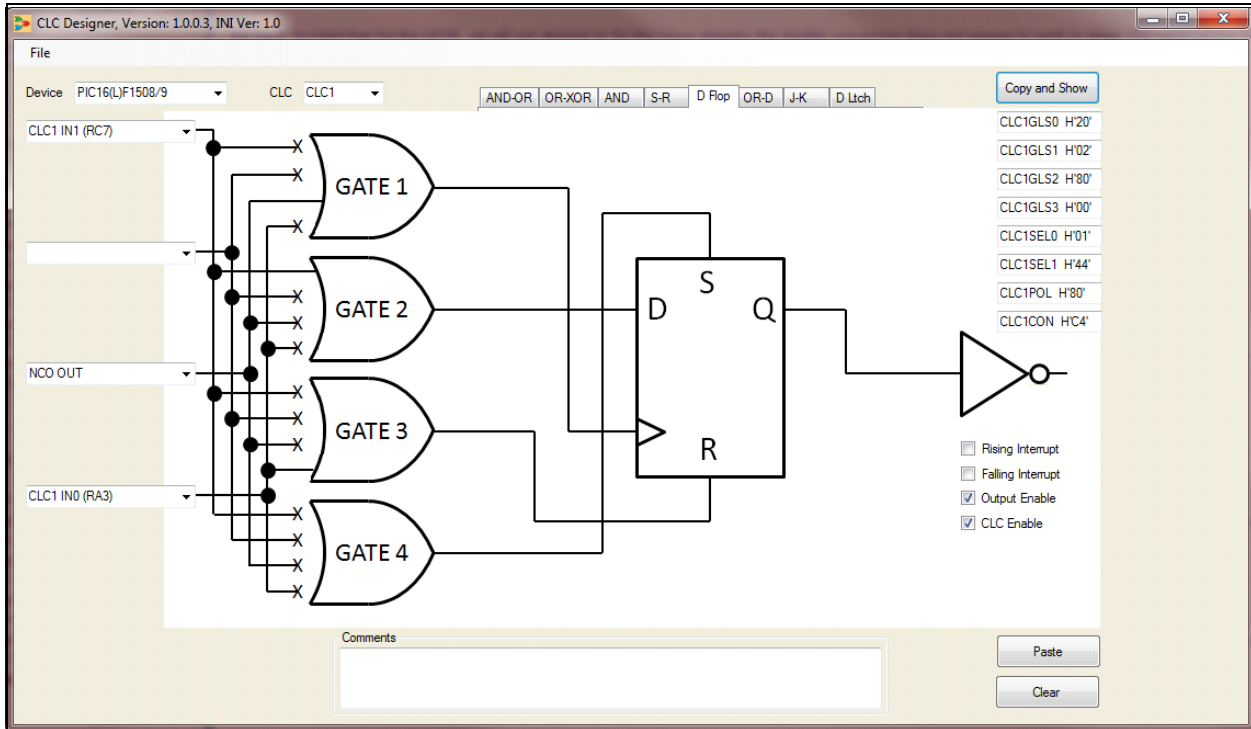
See [Figure 8](#). The output signal of CLC4 is then used to clock the NCO accumulator. This makes the NCO output signal the clock frequency to establish the proper timing (the beginning and end of the data signal) to decode the data output signal. See Manchester Decoder Signal Diagram ([Figure 9](#)).

**FIGURE 4: MANCHESTER DECODER SIMPLIFIED BLOCK DIAGRAM**

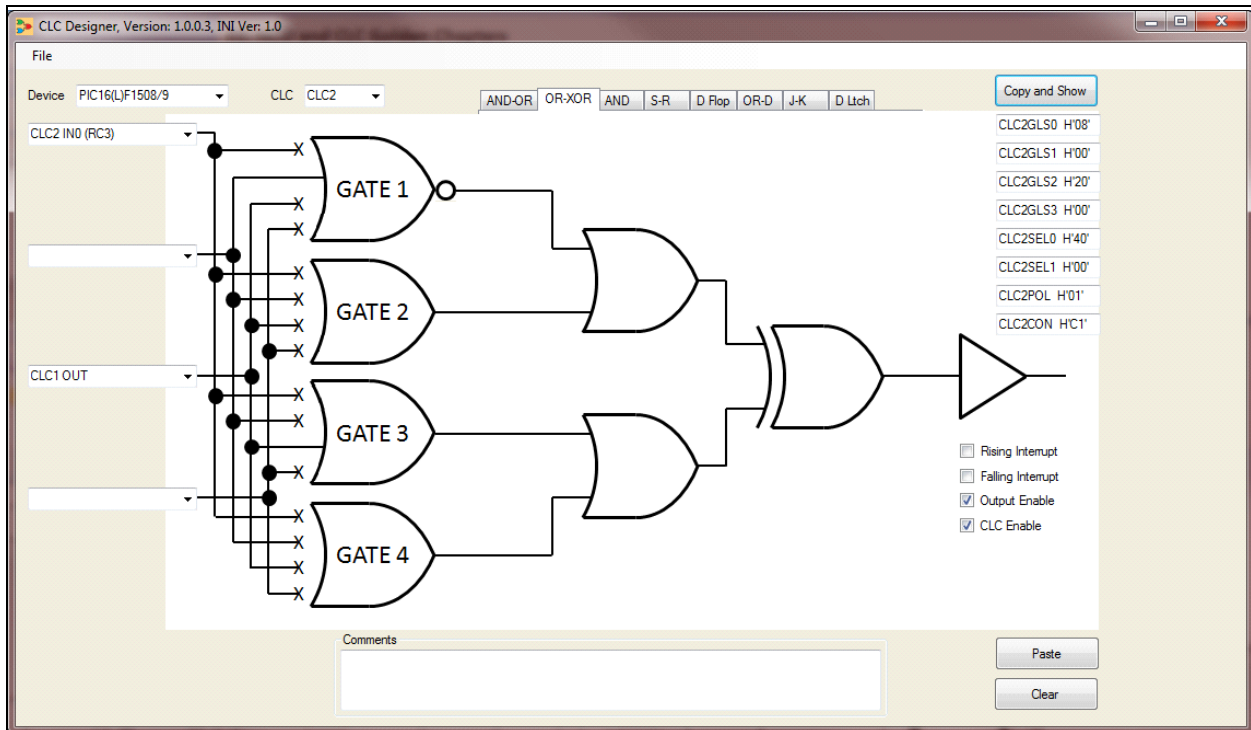


# New Peripherals Tips 'n Tricks

**FIGURE 5: CLC1 SETUP**

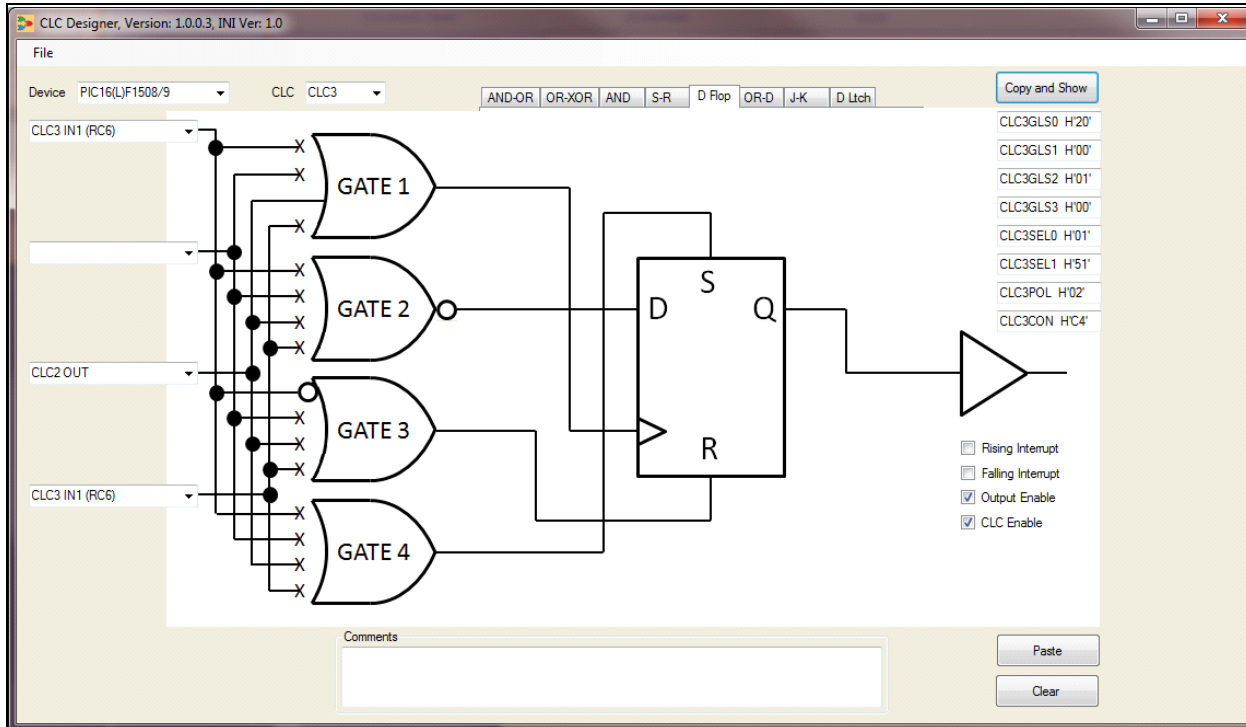


**FIGURE 6: CLC2 SETUP**

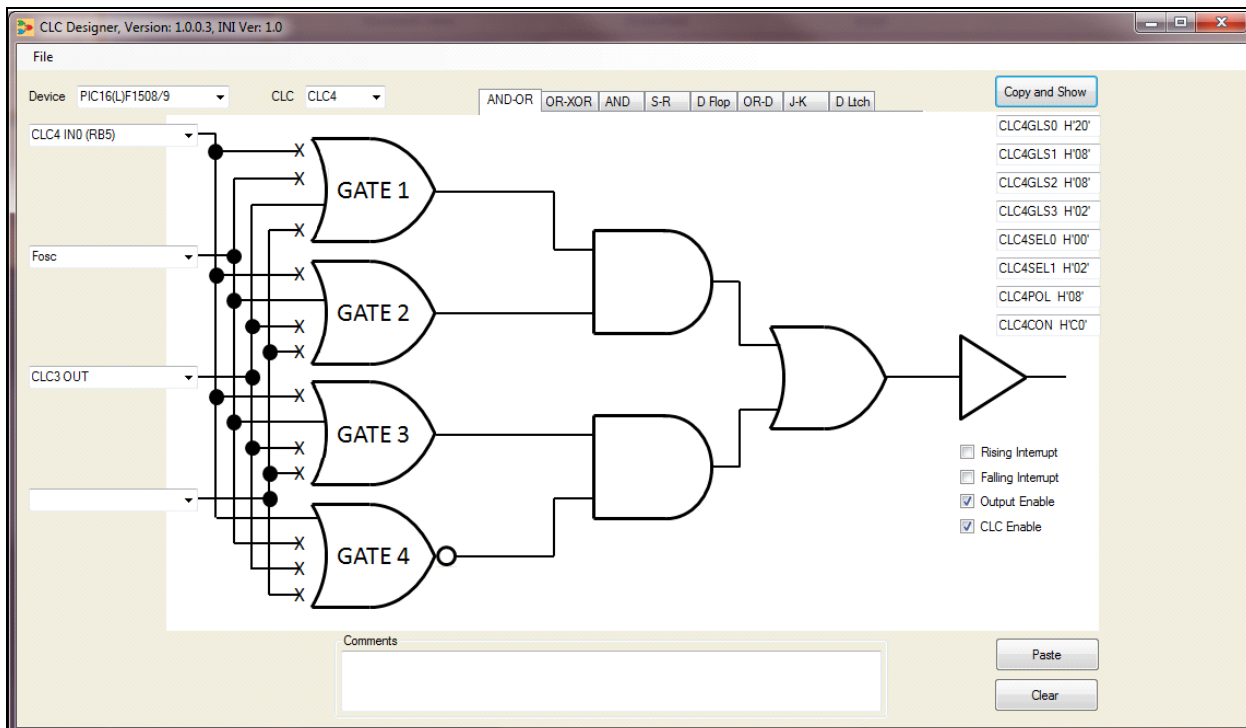


# New Peripherals Tips 'n Tricks

**FIGURE 7: CLC3 SETUP**

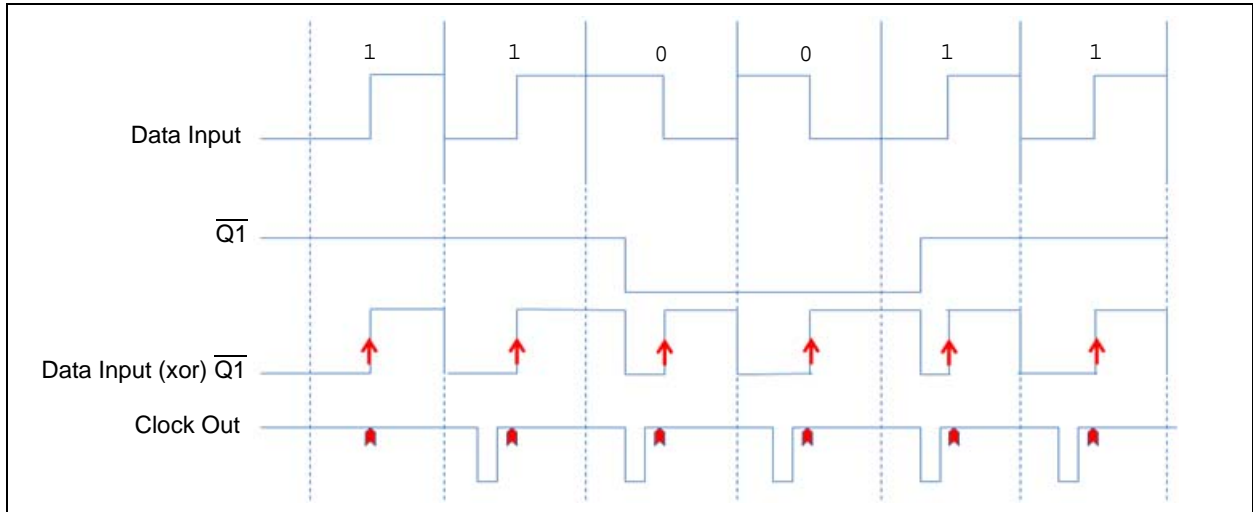


**FIGURE 8: CLC4 SETUP**



# New Peripherals Tips 'n Tricks

FIGURE 9: MANCHESTER DECODER SIGNAL DIAGRAM



# New Peripherals Tips 'n Tricks

---

## RESOURCES

[1] *Configurable Logic Cell (CLC) Configuration Tool User's Guide*, DS41597 at [www.microchip.com](http://www.microchip.com)

[2] *Configurable Logic Cell (CLC) Configuration Tool GUI software* at [www.microchip.com](http://www.microchip.com)

[3] Device data sheet for the specific device you are using, at [www.microchip.com](http://www.microchip.com)



---

**Note the following details of the code protection feature on Microchip devices:**

- Microchip products meet the specification contained in their particular Microchip Data Sheet.
- Microchip believes that its family of products is one of the most secure families of its kind on the market today, when used in the intended manner and under normal conditions.
- There are dishonest and possibly illegal methods used to breach the code protection feature. All of these methods, to our knowledge, require using the Microchip products in a manner outside the operating specifications contained in Microchip's Data Sheets. Most likely, the person doing so is engaged in theft of intellectual property.
- Microchip is willing to work with the customer who is concerned about the integrity of their code.
- Neither Microchip nor any other semiconductor manufacturer can guarantee the security of their code. Code protection does not mean that we are guaranteeing the product as “unbreakable.”

Code protection is constantly evolving. We at Microchip are committed to continuously improving the code protection features of our products. Attempts to break Microchip's code protection feature may be a violation of the Digital Millennium Copyright Act. If such acts allow unauthorized access to your software or other copyrighted work, you may have a right to sue for relief under that Act.

---

Information contained in this publication regarding device applications and the like is provided only for your convenience and may be superseded by updates. It is your responsibility to ensure that your application meets with your specifications. MICROCHIP MAKES NO REPRESENTATIONS OR WARRANTIES OF ANY KIND WHETHER EXPRESS OR IMPLIED, WRITTEN OR ORAL, STATUTORY OR OTHERWISE, RELATED TO THE INFORMATION, INCLUDING BUT NOT LIMITED TO ITS CONDITION, QUALITY, PERFORMANCE, MERCHANTABILITY OR FITNESS FOR PURPOSE. Microchip disclaims all liability arising from this information and its use. Use of Microchip devices in life support and/or safety applications is entirely at the buyer's risk, and the buyer agrees to defend, indemnify and hold harmless Microchip from any and all damages, claims, suits, or expenses resulting from such use. No licenses are conveyed, implicitly or otherwise, under any Microchip intellectual property rights.

**Trademarks**

The Microchip name and logo, the Microchip logo, dsPIC, KEELOQ, KEELOQ logo, MPLAB, PIC, PICmicro, PICSTART, PIC<sup>32</sup> logo, rPIC and UNI/O are registered trademarks of Microchip Technology Incorporated in the U.S.A. and other countries.

FilterLab, Hampshire, HI-TECH C, Linear Active Thermistor, MXDEV, MXLAB, SEEVAL and The Embedded Control Solutions Company are registered trademarks of Microchip Technology Incorporated in the U.S.A.

Analog-for-the-Digital Age, Application Maestro, BodyCom, chipKIT, chipKIT logo, CodeGuard, dsPICDEM, dsPICDEM.net, dsPICworks, dsSPEAK, ECAN, ECONOMONITOR, FanSense, HI-TIDE, In-Circuit Serial Programming, ICSP, Mindi, MiWi, MPASM, MPLAB Certified logo, MPLIB, MPLINK, mTouch, Omniscient Code Generation, PICC, PICC-18, PICDEM, PICDEM.net, PICKit, PICTail, REAL ICE, rLAB, Select Mode, Total Endurance, TSHARC, UniWinDriver, WiperLock and ZENA are trademarks of Microchip Technology Incorporated in the U.S.A. and other countries.

SQTP is a service mark of Microchip Technology Incorporated in the U.S.A.

All other trademarks mentioned herein are property of their respective companies.

© 2012, Microchip Technology Incorporated, Printed in the U.S.A., All Rights Reserved.

 Printed on recycled paper.

ISBN: 978-1-62076-531-9

**QUALITY MANAGEMENT SYSTEM  
CERTIFIED BY DNV  
= ISO/TS 16949 =**

*Microchip received ISO/TS-16949:2009 certification for its worldwide headquarters, design and wafer fabrication facilities in Chandler and Tempe, Arizona; Gresham, Oregon and design centers in California and India. The Company's quality system processes and procedures are for its PIC<sup>®</sup> MCUs and dsPIC<sup>®</sup> DSCs, KEELOQ<sup>®</sup> code hopping devices, Serial EEPROMs, microperipherals, nonvolatile memory and analog products. In addition, Microchip's quality system for the design and manufacture of development systems is ISO 9001:2000 certified.*



# MICROCHIP

## Worldwide Sales and Service

### AMERICAS

**Corporate Office**  
2355 West Chandler Blvd.  
Chandler, AZ 85224-6199  
Tel: 480-792-7200  
Fax: 480-792-7277  
Technical Support:  
<http://www.microchip.com/support>  
Web Address:  
[www.microchip.com](http://www.microchip.com)

**Atlanta**  
Duluth, GA  
Tel: 678-957-9614  
Fax: 678-957-1455

**Boston**  
Westborough, MA  
Tel: 774-760-0087  
Fax: 774-760-0088

**Chicago**  
Itasca, IL  
Tel: 630-285-0071  
Fax: 630-285-0075

**Cleveland**  
Independence, OH  
Tel: 216-447-0464  
Fax: 216-447-0643

**Dallas**  
Addison, TX  
Tel: 972-818-7423  
Fax: 972-818-2924

**Detroit**  
Farmington Hills, MI  
Tel: 248-538-2250  
Fax: 248-538-2260

**Indianapolis**  
Noblesville, IN  
Tel: 317-773-8323  
Fax: 317-773-5453

**Los Angeles**  
Mission Viejo, CA  
Tel: 949-462-9523  
Fax: 949-462-9608

**Santa Clara**  
Santa Clara, CA  
Tel: 408-961-6444  
Fax: 408-961-6445

**Toronto**  
Mississauga, Ontario,  
Canada  
Tel: 905-673-0699  
Fax: 905-673-6509

### ASIA/PACIFIC

**Asia Pacific Office**  
Suites 3707-14, 37th Floor  
Tower 6, The Gateway  
Harbour City, Kowloon  
Hong Kong  
Tel: 852-2401-1200  
Fax: 852-2401-3431

**Australia - Sydney**  
Tel: 61-2-9868-6733  
Fax: 61-2-9868-6755

**China - Beijing**  
Tel: 86-10-8569-7000  
Fax: 86-10-8528-2104

**China - Chengdu**  
Tel: 86-28-8665-5511  
Fax: 86-28-8665-7889

**China - Chongqing**  
Tel: 86-23-8980-9588  
Fax: 86-23-8980-9500

**China - Hangzhou**  
Tel: 86-571-2819-3187  
Fax: 86-571-2819-3189

**China - Hong Kong SAR**  
Tel: 852-2401-1200  
Fax: 852-2401-3431

**China - Nanjing**  
Tel: 86-25-8473-2460  
Fax: 86-25-8473-2470

**China - Qingdao**  
Tel: 86-532-8502-7355  
Fax: 86-532-8502-7205

**China - Shanghai**  
Tel: 86-21-5407-5533  
Fax: 86-21-5407-5066

**China - Shenyang**  
Tel: 86-24-2334-2829  
Fax: 86-24-2334-2393

**China - Shenzhen**  
Tel: 86-755-8203-2660  
Fax: 86-755-8203-1760

**China - Wuhan**  
Tel: 86-27-5980-5300  
Fax: 86-27-5980-5118

**China - Xian**  
Tel: 86-29-8833-7252  
Fax: 86-29-8833-7256

**China - Xiamen**  
Tel: 86-592-2388138  
Fax: 86-592-2388130

**China - Zhuhai**  
Tel: 86-756-3210040  
Fax: 86-756-3210049

### ASIA/PACIFIC

**India - Bangalore**  
Tel: 91-80-3090-4444  
Fax: 91-80-3090-4123

**India - New Delhi**  
Tel: 91-11-4160-8631  
Fax: 91-11-4160-8632

**India - Pune**  
Tel: 91-20-2566-1512  
Fax: 91-20-2566-1513

**Japan - Osaka**  
Tel: 81-66-152-7160  
Fax: 81-66-152-9310

**Japan - Yokohama**  
Tel: 81-45-471-6166  
Fax: 81-45-471-6122

**Korea - Daegu**  
Tel: 82-53-744-4301  
Fax: 82-53-744-4302

**Korea - Seoul**  
Tel: 82-2-554-7200  
Fax: 82-2-558-5932 or  
82-2-558-5934

**Malaysia - Kuala Lumpur**  
Tel: 60-3-6201-9857  
Fax: 60-3-6201-9859

**Malaysia - Penang**  
Tel: 60-4-227-8870  
Fax: 60-4-227-4068

**Philippines - Manila**  
Tel: 63-2-634-9065  
Fax: 63-2-634-9069

**Singapore**  
Tel: 65-6334-8870  
Fax: 65-6334-8850

**Taiwan - Hsin Chu**  
Tel: 886-3-5778-366  
Fax: 886-3-5770-955

**Taiwan - Kaohsiung**  
Tel: 886-7-536-4818  
Fax: 886-7-330-9305

**Taiwan - Taipei**  
Tel: 886-2-2500-6610  
Fax: 886-2-2508-0102

**Thailand - Bangkok**  
Tel: 66-2-694-1351  
Fax: 66-2-694-1350

### EUROPE

**Austria - Wels**  
Tel: 43-7242-2244-39  
Fax: 43-7242-2244-393

**Denmark - Copenhagen**  
Tel: 45-4450-2828  
Fax: 45-4485-2829

**France - Paris**  
Tel: 33-1-69-53-63-20  
Fax: 33-1-69-30-90-79

**Germany - Munich**  
Tel: 49-89-627-144-0  
Fax: 49-89-627-144-44

**Italy - Milan**  
Tel: 39-0331-742611  
Fax: 39-0331-466781

**Netherlands - Drunen**  
Tel: 31-416-690399  
Fax: 31-416-690340

**Spain - Madrid**  
Tel: 34-91-708-08-90  
Fax: 34-91-708-08-91

**UK - Wokingham**  
Tel: 44-118-921-5869  
Fax: 44-118-921-5820

11/29/11