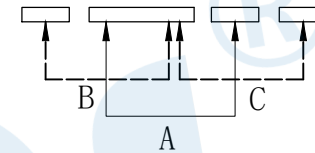
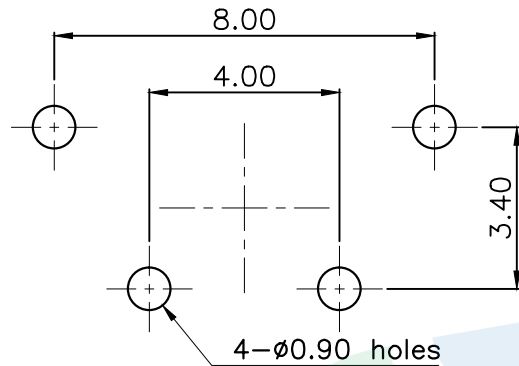
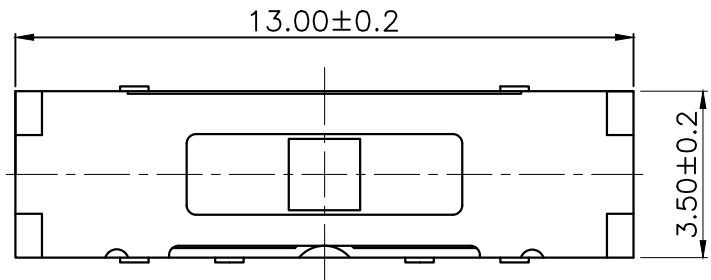
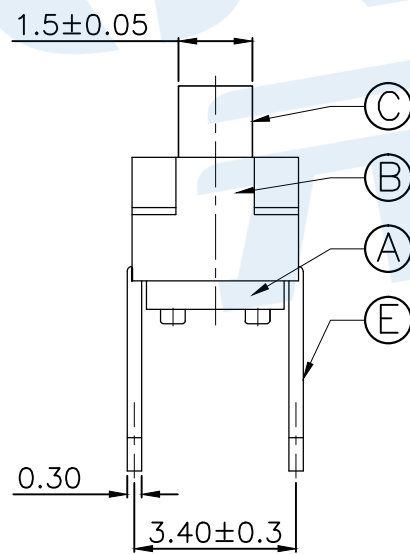
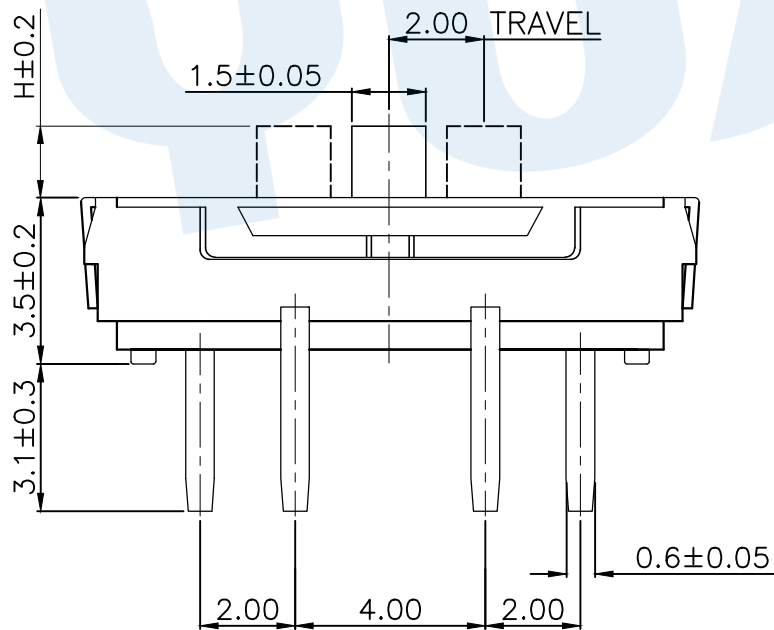


RoHS



PCB Layout(Pattern side)

Circuit Diagram



Code	H	Operating force
A1	2.0	250±80gf
A2	3.0	
A3	4.0	

NO.	Name	Number	Qty	Materil	Remarks
⑤	Terminal		4	Brass	Silver
④	Contact reed		1	Phosphorus copper	Silver covered
③	Handle		1	Nylon	Black
②	Cover		1	SUS	Natural
①	Base		1	Nylon	Black

**YUANDI®** Yuandi Electronics Co, Ltd

design	date	name
Review	date	TOGGLE SWITCH
Approved	date	name

Drawing number: TA-3510-A□

modify Review Approved Tolerance not specified Proportion 1:1 unit mm gage number A4