

■ Features

- Ultra low profile.
- Magnetic shielded for low radiation.
- Bobbin ferrite core and compact size.
- Low core loss for high frequency power application.
- Large terminal surface for good PCB bonding.
- Operating temperature: -40°C ~ +125°C.

■ Applications

- Portable communication equipment.
- Notebook PC, digital camera, LCD television set.
- Power supply for VTR, OA equipment.
- DC/DC converters.

■ Product Identification

$\frac{\text{YPRH}}{(1)}$ $\frac{\square\square\square\square}{(2)}$ - $\frac{\square\square\square}{(3)}$ $\frac{\square}{(4)}$

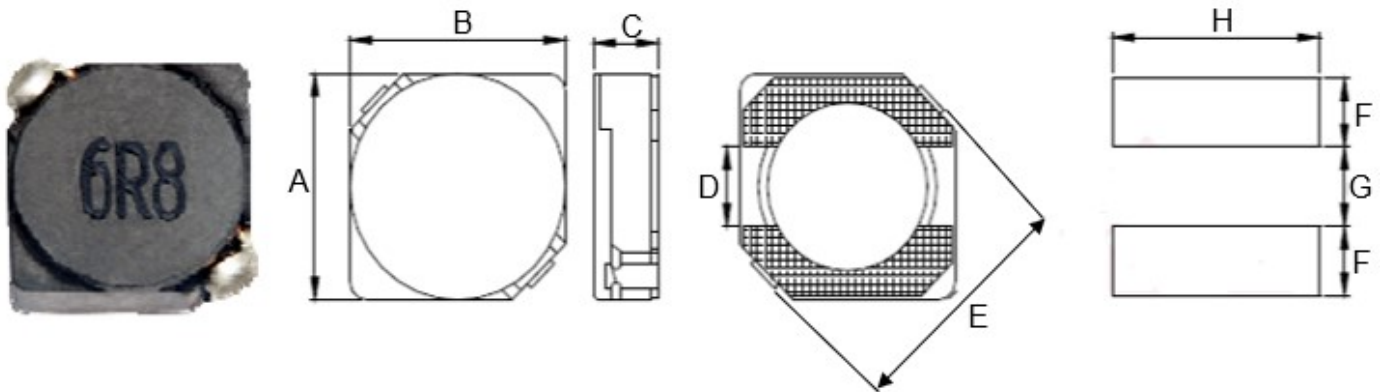
(1) : Type

(2) : Dimensions

(3) : Inductance value

(4) : Inductance Tolerance; N=±30%, M=±20%, K=±10%

Shapes and Dimensions (Unit: mm)



TYPE	A	B	C max.	D	E	F Ref.	G Ref.	H Ref.
YPRH5D18	5.7±0.3	5.7±0.3	2.0	2.00	8.2	2.15	2.0	6.3

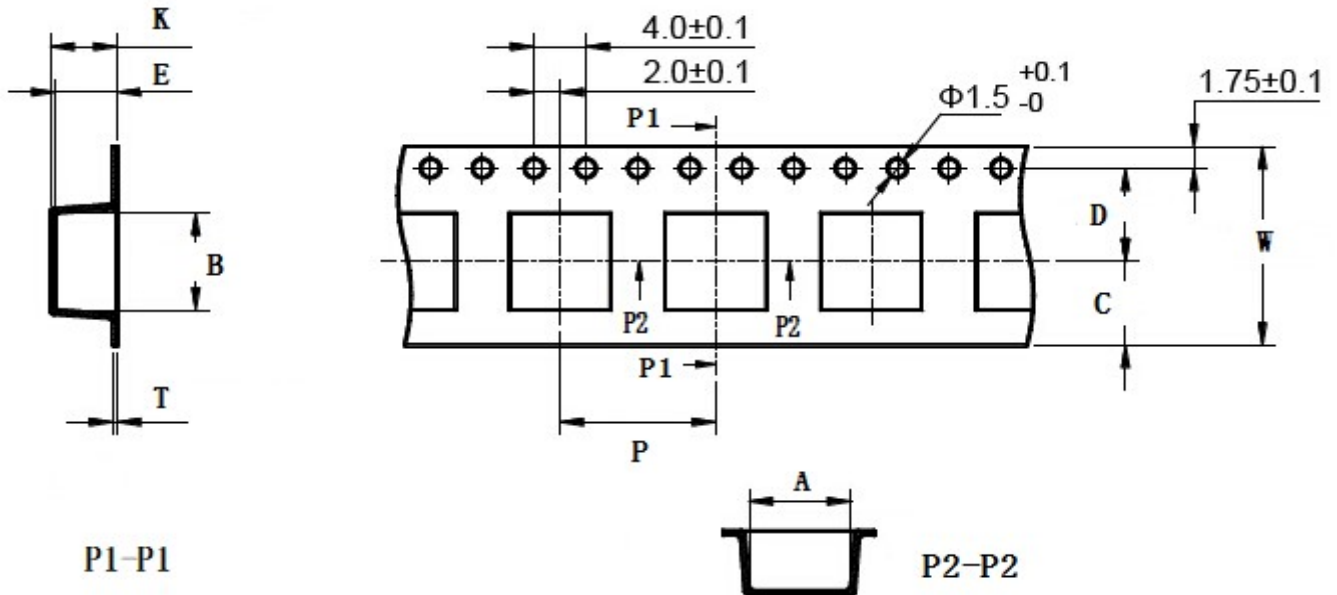
YPRH5D18 Series

Part Number	Inductance (uH)	Test Freq.(KHz)	DCR MAX.(Ω)	Rated Current (A)
YPRH5D18-3R3□	3.3	100	0.053	2.00
YPRH5D18-4R1□	4.1	100	0.057	1.95
YPRH5D18-4R7□	4.7	100	0.068	1.75
YPRH5D18-5R0□	5.0	100	0.076	1.65
YPRH5D18-5R6□	5.4	100	0.080	1.60
YPRH5D18-6R2□	6.2	100	0.096	1.40
YPRH5D18-6R8□	6.8	100	0.110	1.30
YPRH5D18-8R2□	8.2	100	0.117	1.30
YPRH5D18-100□	10.0	100	0.124	1.20
YPRH5D18-120□	12.0	100	0.153	1.10
YPRH5D18-150□	15.0	100	0.196	0.97
YPRH5D18-180□	18.0	100	0.210	0.85
YPRH5D18-220□	22.0	100	0.290	0.80

Part Number	Inductance (uH)	Test Freq.(KHz)	DCR MAX.(Ω)	Rated Current (A)
YPRH5D18-270□	27.0	100	0.330	0.75
YPRH5D18-330□	33.0	100	0.386	0.65
YPRH5D18-390□	39.0	100	0.520	0.57
YPRH5D18-470□	47.0	100	0.595	0.54
YPRH5D18-560□	56.0	100	0.665	0.50
YPRH5D18-680□	68.0	100	0.840	0.43
YPRH5D18-820□	82.0	100	0.978	0.41
YPRH5D18-101□	100	100	1.200	0.36
YPRH5D18-121□	120	100	1.500	0.33
YPRH5D18-151□	150	100	1.710	0.31
YPRH5D18-181□	180	100	2.240	0.28

- ※ The saturation current value is the DC current value having inductance decrease down to 30%.(at 20°C)
- ※ The temperature rise current value is the DC current value having temperature increase up to 40°C. (at 20°C)
- ※ The rated current is the DC current value that satisfies both of current value saturation current value and temperature rise current value.

■ Taping Dimensions(Unit:mm)



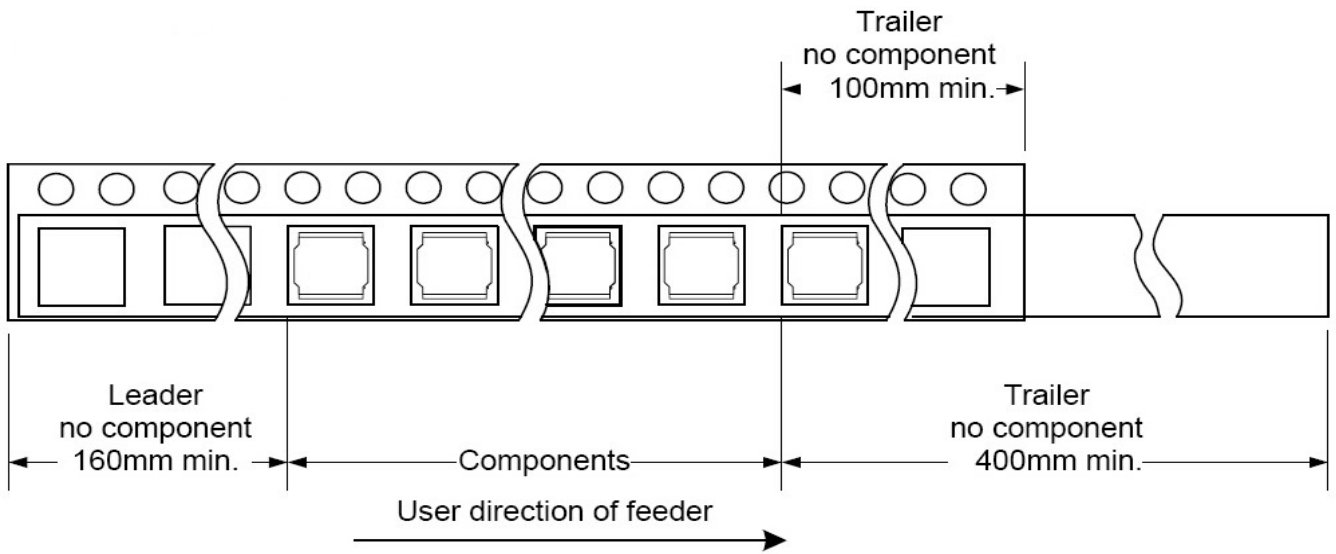
TYPE	W	A	B	C	D	E	P	K Ref	T	MPQ
YPRH5D18	16±0.3	6.15±0.1	6.15±0.1	6.75	7.5±0.1	2.10±0.1	12±0.1	2.30	0.30±0.03	3000

■ Reel Dimensions(Unit:mm)

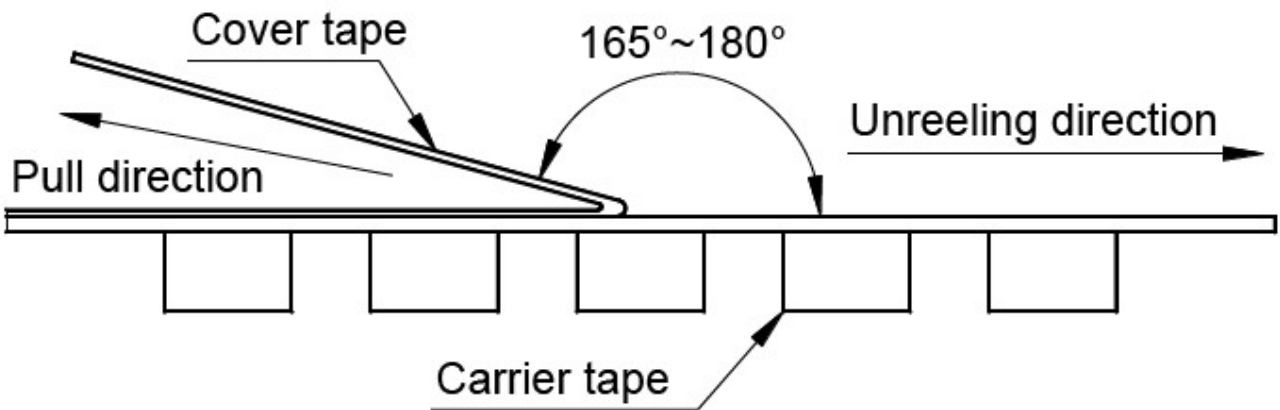


TYPE	W	W1	W2	W3	A	B	C	D
YPRH5D18	330±2.0	16.4±2.0	22.4 Max	15.9 Min	13.0±0.50	21.0±0.80	2.0±0.50	100 Min

Direction of rolling



Cover tape peel off condition



Cover tape peel force shall be 0.1N to 1.3N.

Reference peel speed 300 ± 10 mm/min.