

# SPECIFICATION

CUSTOMER: \_\_\_\_\_

PRODUCT: \_\_\_\_\_ Band3/Unbalanced, Rx SAW Filter \_\_\_\_\_

MODEL NO: \_\_\_\_\_ RHFR11C1842UB001 \_\_\_\_\_

MARKING: \_\_\_\_\_

PREPARED: \_\_\_\_\_ CHECKED: \_\_\_\_\_

APPROVED: \_\_\_\_\_ DATE: \_\_\_\_\_

Tiantong Ruihong Technology Co., Ltd.

1. Modify History of Specification .....	2
2. Definition .....	2
3. Package Dimensions .....	3
4. Testing Environment .....	3
5. Max Rating .....	4
6. Electrical Characteristics .....	5
7. Marking Code .....	8
8. Reel & Tape Dimensions .....	9

## 1. Modify History of Specification

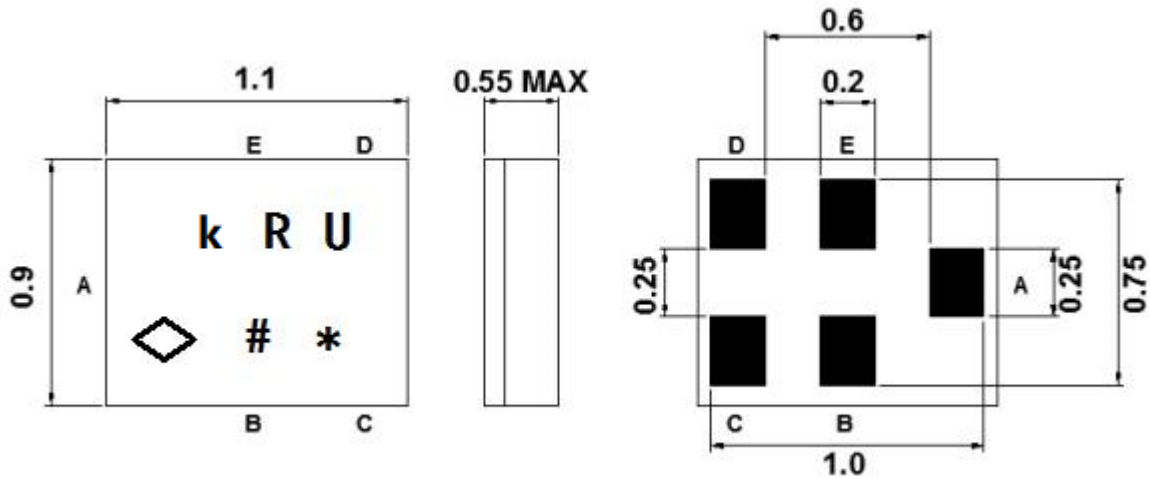
NO.	DATE	CONTENT	APPROVED
1.0	2018.1.1	New Released	
1.1	2018.9.1	Add Rreel and Tape dimension	
1.2	2018.11.16	Revise Marking Code	
1.3	2019.03.01	Update Reel Package	

## 2. Definition

<b><u>RH</u></b>	<b><u>XX</u></b>	<b><u>XX</u></b>	<b><u>X</u></b>	<b><u>XX XX</u></b>	<b><u>BA/UB</u></b>	<b><u>00</u></b>	<b><u>1</u></b>
①	②	③	④	⑤	⑥	⑦	⑧

No.	EXPLANATION
①	Ruihong
②	FT: Filter Transmit FR: Filter Receive DX: Duplexer DS: Double SAW
③	11: 1109 14: 1411 18: 1814
④	C: CSP S: SMD W: WLP
⑤	Center Frequency
⑥	BA: Balanced UB: Unbalanced
⑦	Design version
⑧	Reel & Tape Dimension 1:Pitch = 2 Reel = 178mm 2:Pitch = 4 Reel = 178mm 3:Pitch = 2 Reel = 330mm 4:Pitch = 4 Reel = 330mm

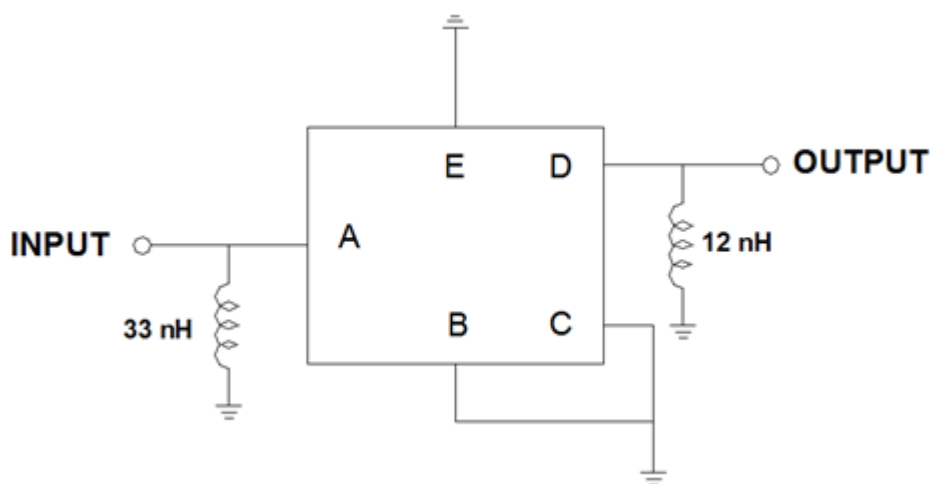
### 3. Package Dimensions



Marking Descriptions	
K R U	Model Number
#	Date Code
*	Code for Month and year

Pin Description	
B,C,E	Ground
A	Input
D	Output

### 4. Testing Environment



Source & Load Impedance: 50 Ω

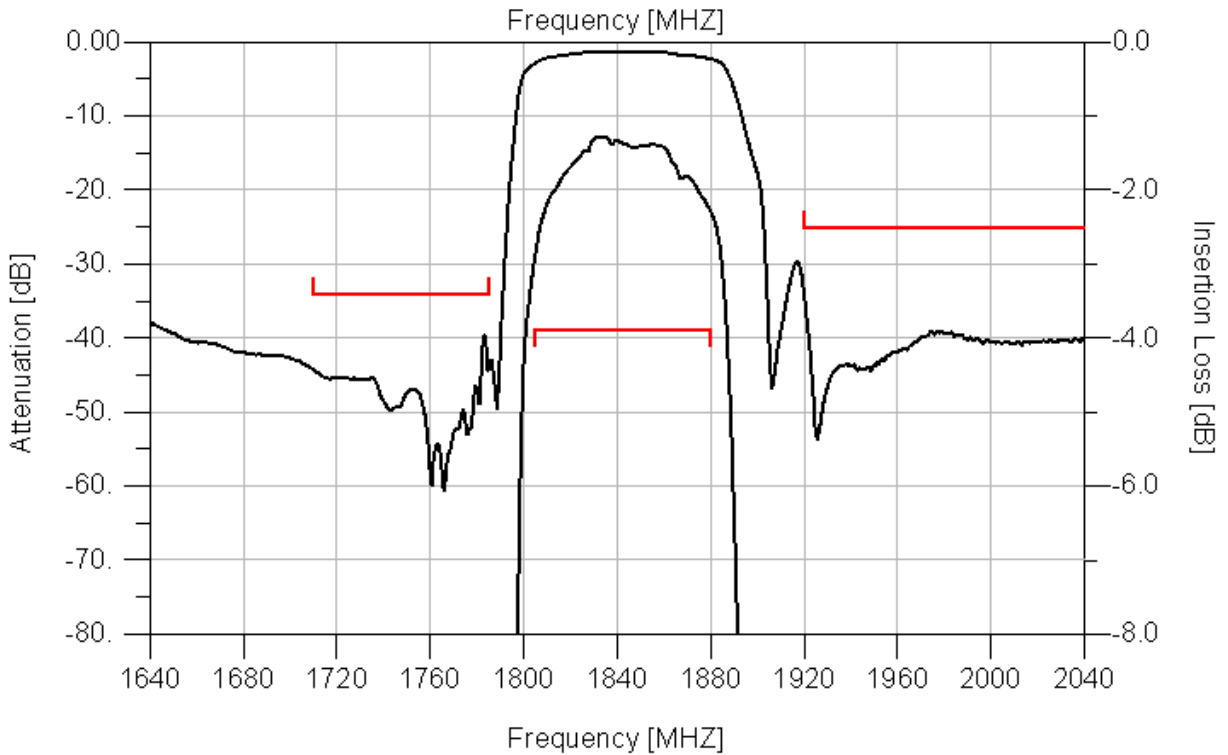
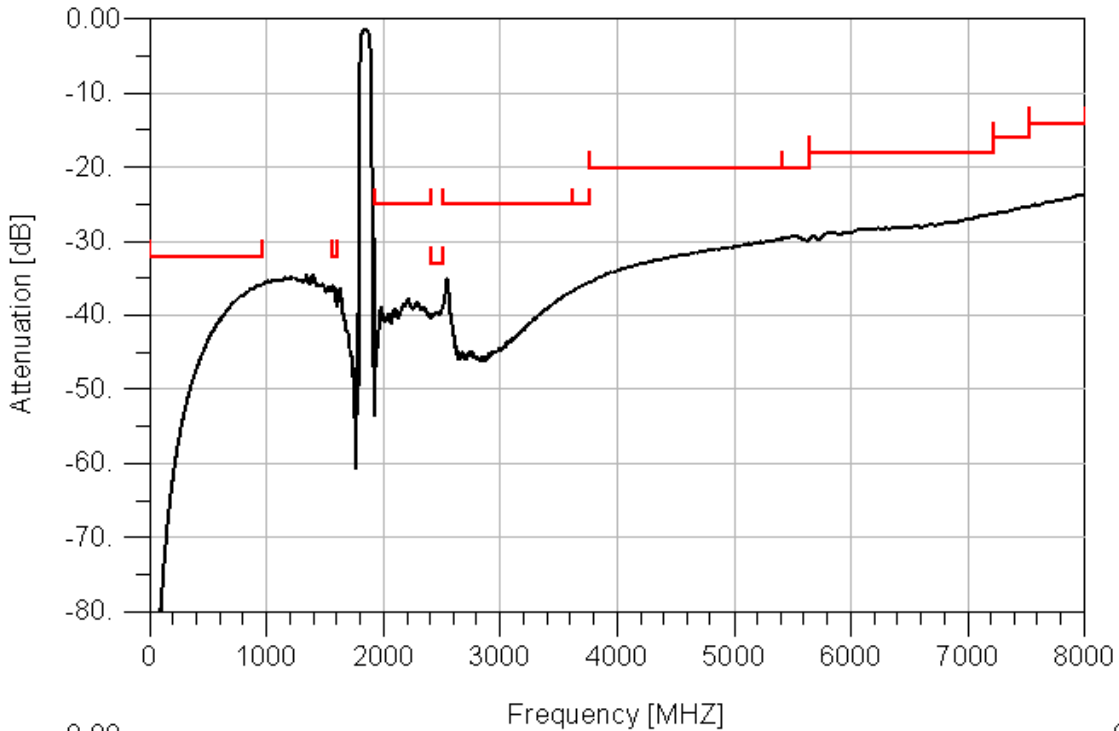
## 5. Max Rating

Parameters Description	Unit	Minimum	Typical	Maximum
Operating Temperature Range	°C	-40	-	+85
Storage Temperature Range	°C	-40	-	+85
Maximum DC Voltage	V	-	-	3
Maximum Input Power	dBm	-	-	15
Source Impedance (single ended)	$\Omega$	-	50//33nH	-
Load Impedance (Single ended)	$\Omega$	-	50//12nH	-
Length x Width	mm <sup>2</sup>	-	1.1 x 0.9	-
Height	mm	-	-	0.55

## 6. Electrical Characteristics

Parameters Description		Unit	Characteristics			Note
			(-40 to +85 deg.C )			
			Min	Typ	Max	
Center Frequency (Fo)		MHz	-	1842.5	-	
Insertion Loss within 1805.0 ~ 1880.0 MHz		dB	-	1.9	2.5	
Amplitude Ripple within 1805.0 ~ 1880.0 MHz		dB <sub>p-p</sub>	-	1.0	2.3	
Input VSWR within 1805.0 ~ 1880.0 MHz		-	-	1.7	2.0	
Output VSWR within 1805.0 ~ 1880.0 MHz		-	-	1.6	2.0	
Attenuation	D.C ~ 960.0 MHz	dB	32	35	-	
	1558.0 ~ 1608.0 MHz	dB	32	36	-	
	1710.0 ~ 1785.0 MHz	dB	34	38	-	
	1920.0 ~ 2400.0 MHz	dB	25	37	-	
	2400.0 ~ 2500.0 MHz	dB	33	39	-	
	2500.0 ~ 3610.0 MHz	dB	25	35	-	
	3610.0 ~ 3760.0 MHz	dB	25	38	-	
	3760.0 ~ 5415.0 MHz	dB	20	35	-	
	5415.0 ~ 5640.0 MHz	dB	20	36	-	
	5640.0 ~ 7220.0 MHz	dB	18	27	-	
	7220.0 ~ 7520.0 MHz	dB	16	25	-	
	7520.0 ~ 8000.0 MHz	dB	14	23	-	

**RHFR11C1842UB001 ( Band3 / Unbalanced / 5pin / 1109 )**



Tiantong Ruihong Technology Co., Ltd.

# RHFR11C1842UB001 ( Band3 / Unbalanced / 5pin / 1109 )

## 7. Marking Code

2018	Jan	Feb	Mar	Apr	May	Jun	Jul	Aug	Sep	Oct	Nov	Dec
2022												
2026	A	B	C	D	E	F	G	H	J	K	L	M
2030												
2019	Jan	Feb	Mar	Apr	May	Jun	Jul	Aug	Sep	Oct	Nov	Dec
2023												
2027	N	P	Q	R	S	T	U	V	W	X	Y	Z
2031												
2020	Jan	Feb	Mar	Apr	May	Jun	Jul	Aug	Sep	Oct	Nov	Dec
2024												
2028	a	b	c	d	e	f	g	h	j	k	l	m
2032												
2021	Jan	Feb	Mar	Apr	May	Jun	Jul	Aug	Sep	Oct	Nov	Dec
2025												
2029	n	p	q	r	s	t	u	v	w	x	y	z
2033												

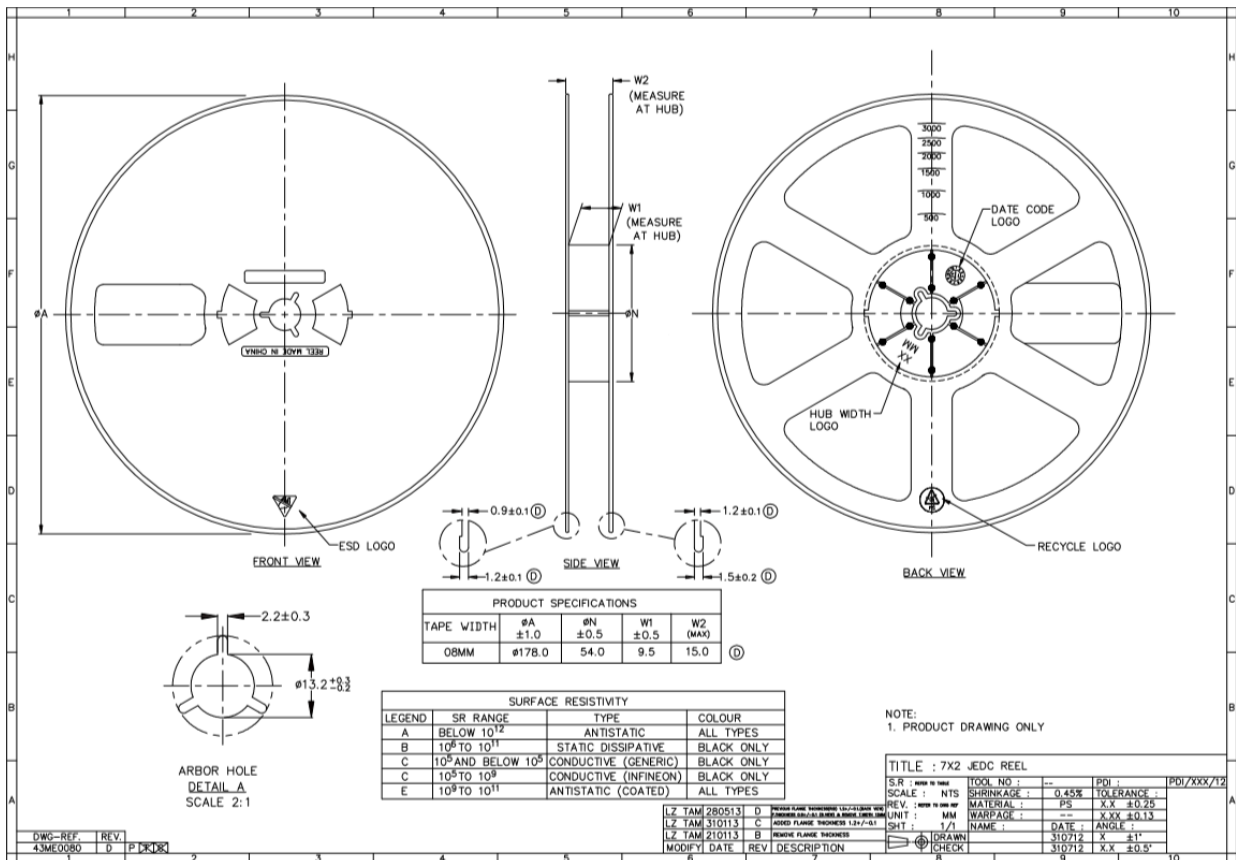


备注：  
 K 对应 B3  
 R 对应 接收  
 U 对应 单端  
 W 对应 生产日  
 P 对应 生产年-月

Band 3

date	1st	2nd	3rd	4th	5th	6th	7th	8th	9th	10th	
code	A	B	C	D	E	F	G	H	J	K	
date	11th	12th	13th	14th	15th	16th	17th	18th	19th	20th	
code	L	M	N	P	Q	R	S	T	U	V	
date	21th	22th	23th	24th	25th	26th	27th	28th	29th	30th	31th
code	W	X	Y	Z	a	b	c	d	e	f	g

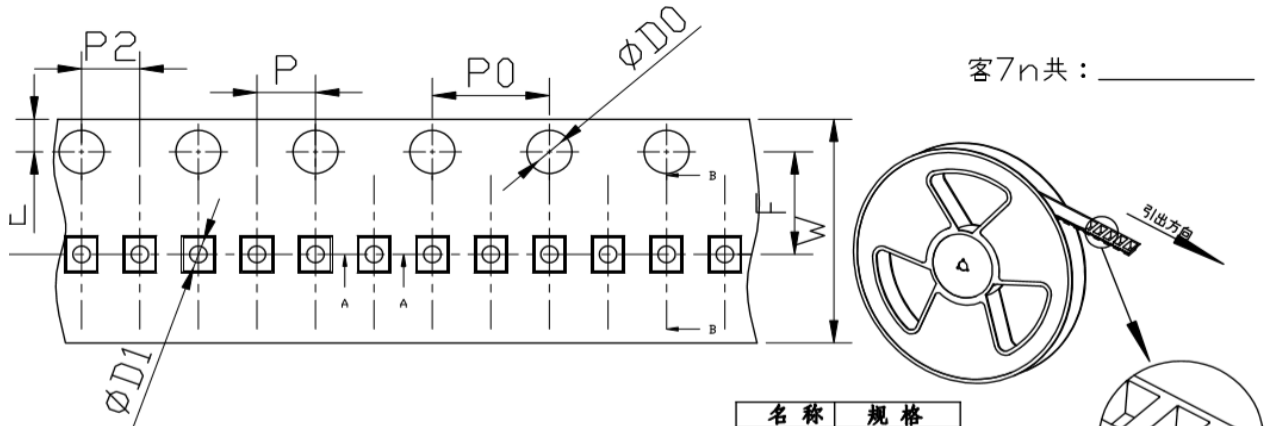
## 8. Reel & Tape Dimensions



Tiantong Ruihong Technology Co., Ltd.

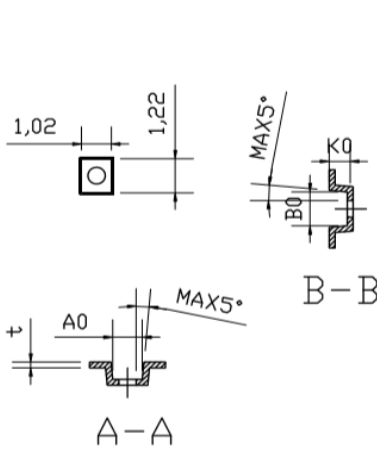


# RHFR11C1842UB001 ( Band3 / Unbalanced / 5pin / 1109 )



客7n共: \_\_\_\_\_

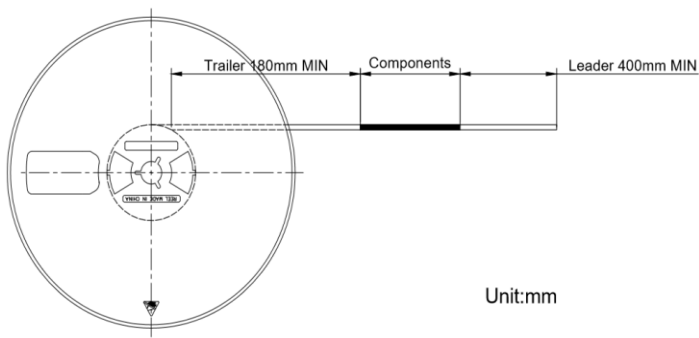
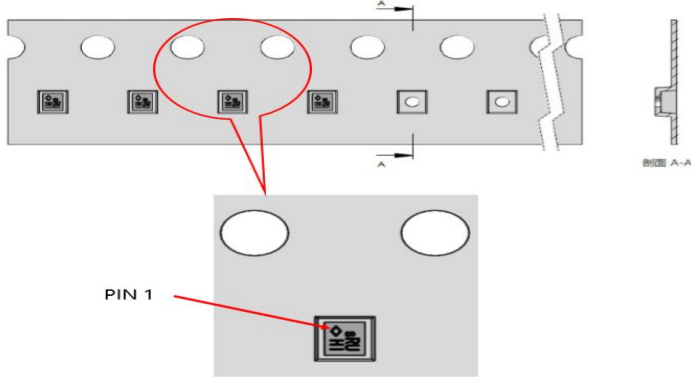
外可	尺寸 mm
E	1.75±0.10
F	3.50±0.05
P2	2.00±0.05
ØD1	0.60±0.05
ØD0	1.55±0.05
P0	4.00±0.05
10P0	40.00±0.20
W	8.0±0.10
P	2.00±0.05
A0	1.02±0.05
B0	1.22±0.05
K0	0.62±0.05
t	0.20±0.05



名称	规格
纸盘	15"
长度	1010m/r
元件数	505000pcs/r
轴心	110mm
载带材料	PS

Note: 1. 10 sprocket hole pitch cumulative tolerance ±0.2mm.  
 2. Carrier camber is 1mm in 250mm.  
 3. K0 measured from a plane on the inside bottom of the pocket to the top surface of the carrier.  
 4. All dimensions meet EIA-481-D requirements.

品?号:	AND ?号: KC-1109B-8(4#)		
鏡備	日期	比例	1:1
制	日期	共1	版本
校	日期	第1	A
核	日期		



Tiantong Ruihong Technology Co., Ltd.

## 9 Reflow Condition

