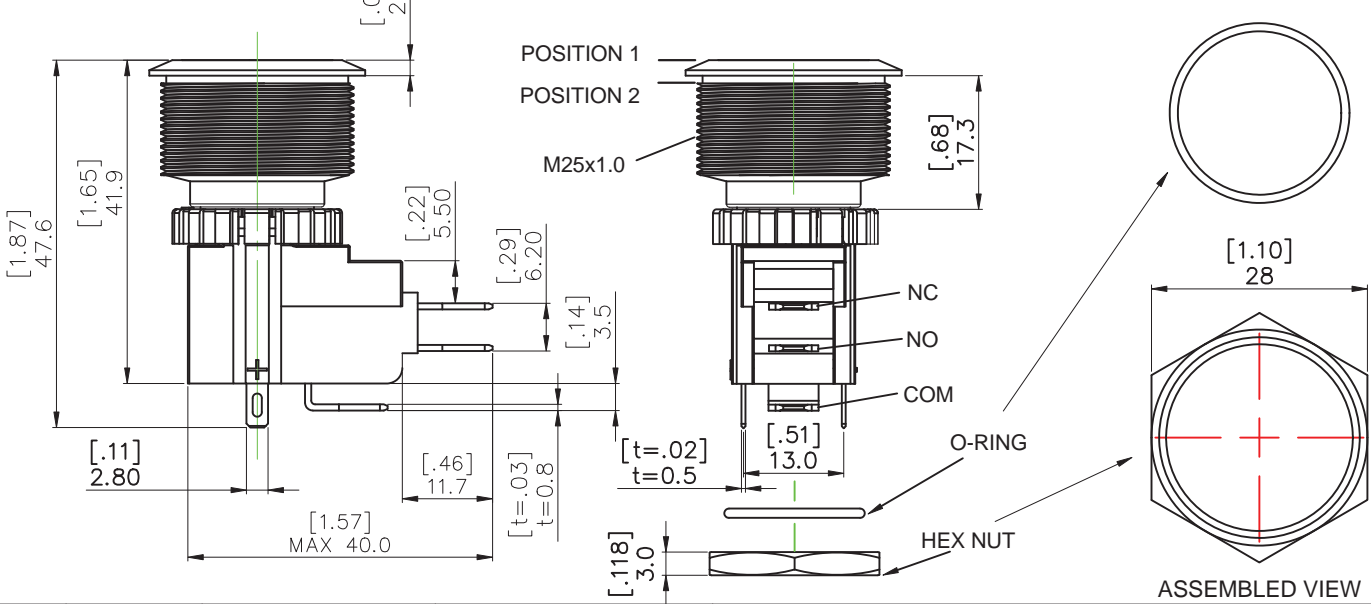
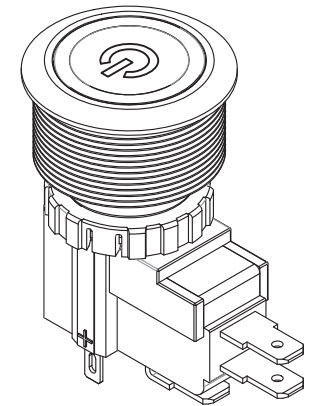
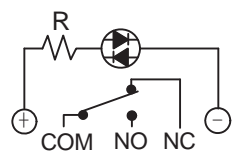
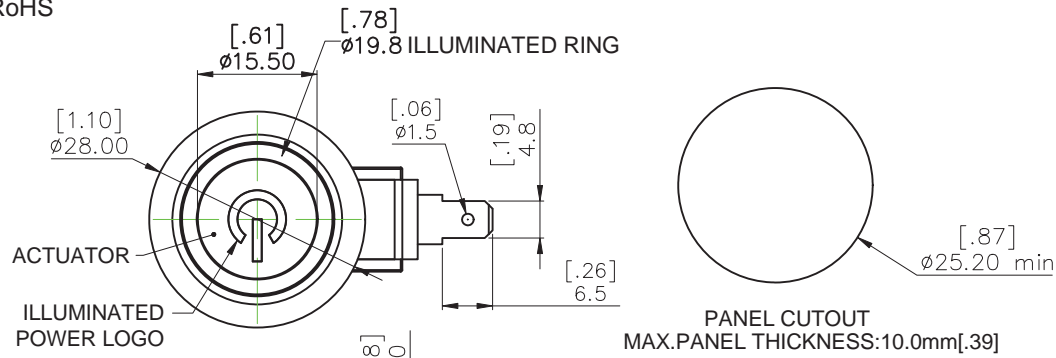
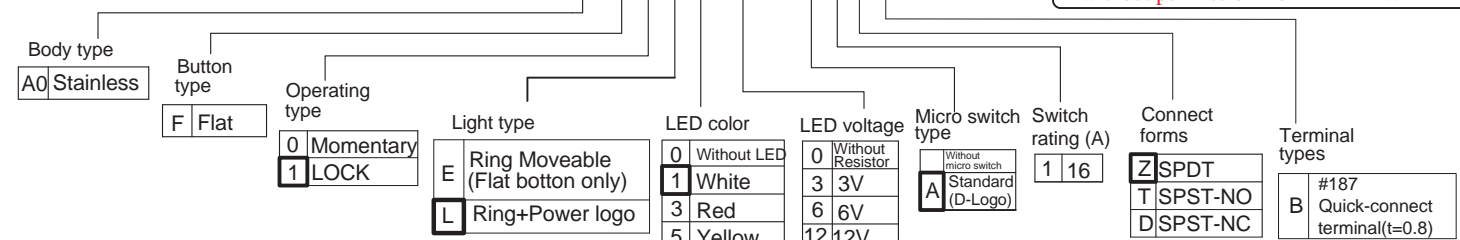


本公司智慧財產，未經同意不得複製
DAILYWELL copyright, may not be used
without permission from DAILYWELL

MW25-XXXXXXXX - XXXX

MATERIAL:
BUSHING: Stainless Steel.
BASE: PBT(UL 94-V0);PC(UL94-V2);PA6T(UL94-V0)
ACTUATOR: PC(UL 94-V2);Stainless Steel.
INNER ASSEMBLY: POM/PA66
SPRING: Steel.
SEALING: Silicone.
O-Ring: Silicone.
TERMINAL/CONTACT: Brass ,Silver plated.
HEX NUT : Nickel plated brass.
RoHS



SPECIFICATIONS

- 1.CONTACT MATERIAL: SILVER
- 2.RATING: 16A 250/125VAC.
- 3.ELECTRICAL LIFE: 16A /125&250VAC 50,000 CYCLES
- 4.MECHANICAL LIFE: SELF-LOCK 500,000.
- 5.INSULATION RESISTANCE:100M Ω MIN AT 500VDC .
- 6.DIELECTRIC STRENGTH: 1,500V RMS@sea level.
- 7.CONTACT RESISTANCE: 50m Ω MAX. @1A 12VDC(initial value).
- 8.OPERATING TEMPERATURE:-25 $^{\circ}$ C to 85 $^{\circ}$ C
- 9.TRAVEL: ABOUT 3.2mm.
- 10.OPERATION PRESSURE: 3.5 \pm 1.5N.
- 11.INGRESS PROTECTION: IP67,IK08(Stainless Steel).
- 12.TORQUE: 1~3Nm.

德利威電子股份有限公司
DAILYWELL ELECTRONICS CO.,LTD.

符號	原尺寸	修改後尺寸	變更日期
1 (A)			
2 (B)			
3 (C)			
4 (D)			
5 (E)			

SCALE(比例): 1:1
TOLERANCE (公差):
 0.00 mm \pm 0.25mm
 0.0 mm \pm 0.40mm
ANGULAR: \pm 2 $^{\circ}$
FILE NAME : MW25-0010

TITLE 圖名	METAL PUSHBUTTON SWITCH	SIZE 圖紙	A4
DWG NO. 圖號	MW25-A0F1L124-A1ZB	UNIT 單位	inch mm
REV. 版本	A	DATE 日期	JUL - 17 - 2018
CHECKED BY 審核	陳燈財	SHEET 張數	1 of 1
DRAWN BY 製圖	IRENE		