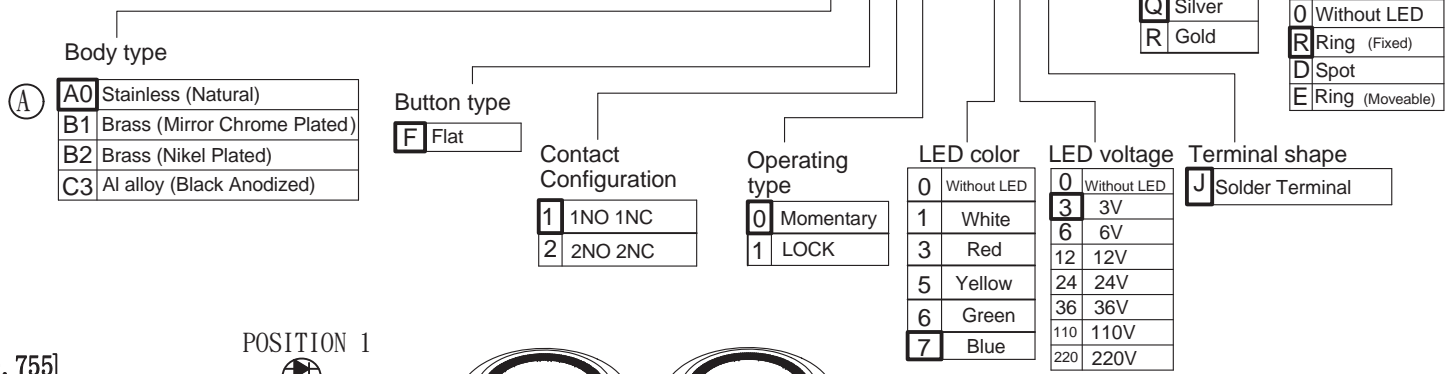
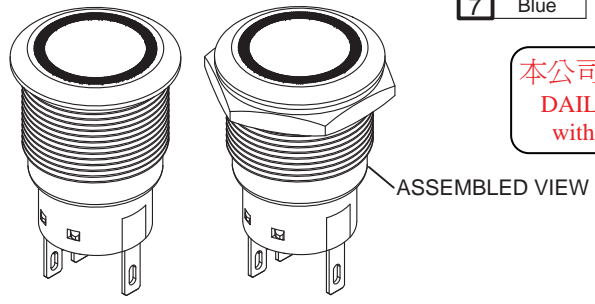
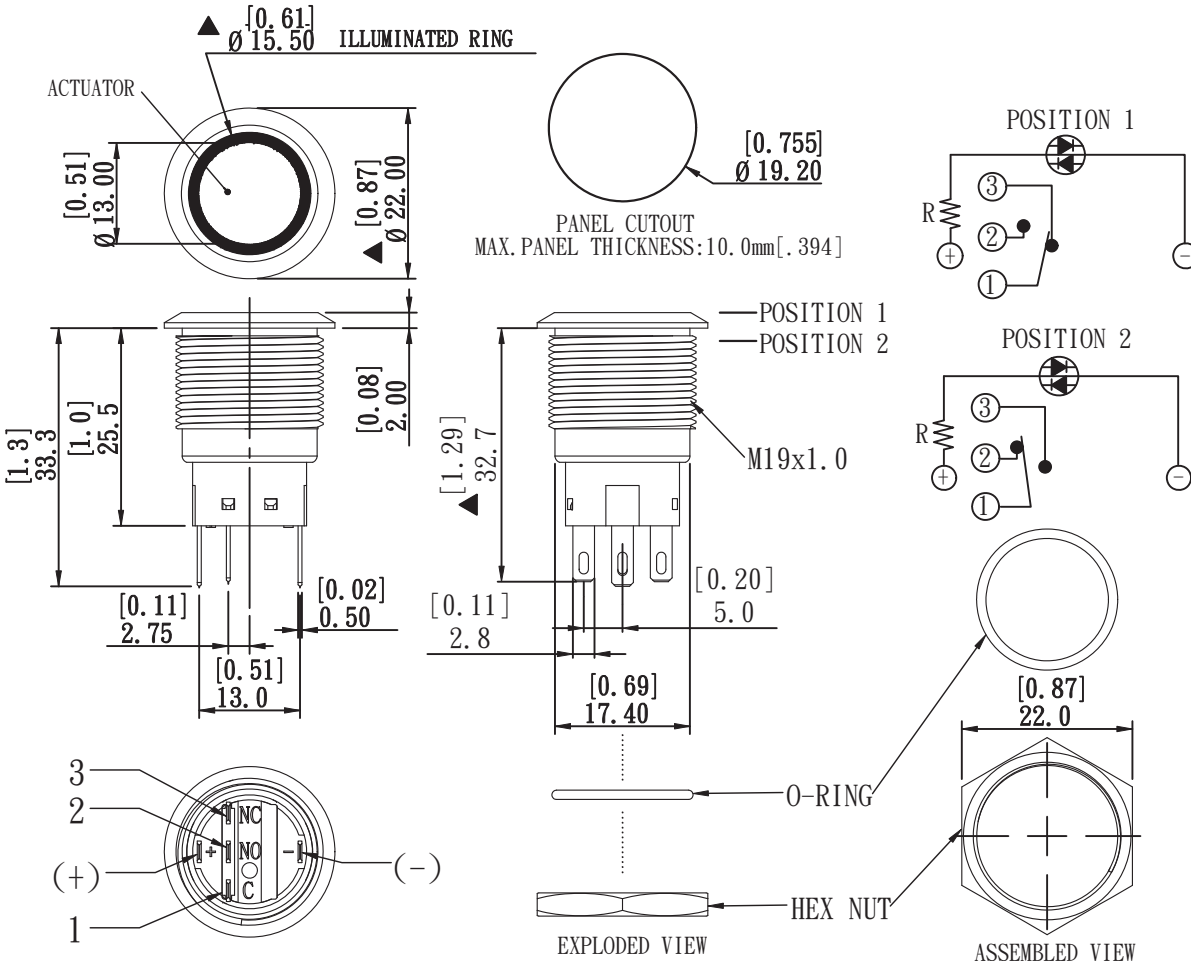


MATERIAL:
 BUSHING: Stainless Steel.
 BASE: PBT(UL 94-V0) , PC(UL 94-V2)
 ACTUATOR: PC ; Stainless Steel.
 INNER ASSEMBLY: POM/PA66.
 SPRING: Spring steel.
 SEALING: Silicone.
 O-Ring: Silicone.
 TERMINAL/CONTACT: Copper ,Silver plated.
 HEX NUT: Nickel plated brass.
 RoHS

MPB19-XXXXXR-XX-JQ



本公司智慧財產，未經同意不得複製
 DAILYWELL copyright, may not be used
 without permission from DAILYWELL



SPECIFICATIONS

1. ALL DIMENSIONS IN mm [INCH].
2. CONTACT MATERIAL: SILVER.
3. RATING: 1th 5A/250VAC. resistive load 3A/250VAC.
4. ELECTRICAL LIFE: 50,000 MAKE-AND-BREAK CYCLES AT FULL LOAD.
5. MECHANICAL LIFE: Momentary 1,000,000.
6. INSULATION RESISTANCE: 1,000MΩ MIN AT 500VDC .
7. DIELECTRIC STRENGTH: 2,000V RMS@sea level.
8. CONTACT RESISTANCE: 50mΩ MAX. @1A 12VDC(initial value).
9. OPERATING TEMPERATURE: -20°C to 55°C .
10. TRAVEL: ABOUT 3.2mm.
11. OPERATION PRESSURE: 1Pole 2.5±1N. / 2Pole 3.5±1N.
12. INGRESS PROTECTION: IP67,IK10(Stainless).
13. TORQUE: 5~14Nm.

德利威電子股份有限公司
 DAILYWELL ELECTRONICS CO.,LTD.

符號	原尺寸	修改後尺寸	變更日期
1	(A) 更新Body type編碼,取消電源符號選項		JUN-10-2015
2	(B)		
3	(C)		
4	(D)		
5	(E)		

SCALE(比例): 1:1
TOLERANCE (公差):
 0.00 mm ± 0.25mm
 0.0 mm ± 0.40mm
ANGULAR: ± 2°
FILE NAME : MPB19-0047

TITLE 圖名	METAL PUSHBUTTON SWITCH	SIZE 圖紙	A4
DWG NO. 圖號	MPB19-A0F10R-73-JQ	UNIT 單位	inch mm
REV. 版本	B	DATE 日期	APR - 23 - 2015
CHECKED BY 審核	RICHARD	DRAWN BY 製圖	IRENE
		SHEET 張數	1 of 1