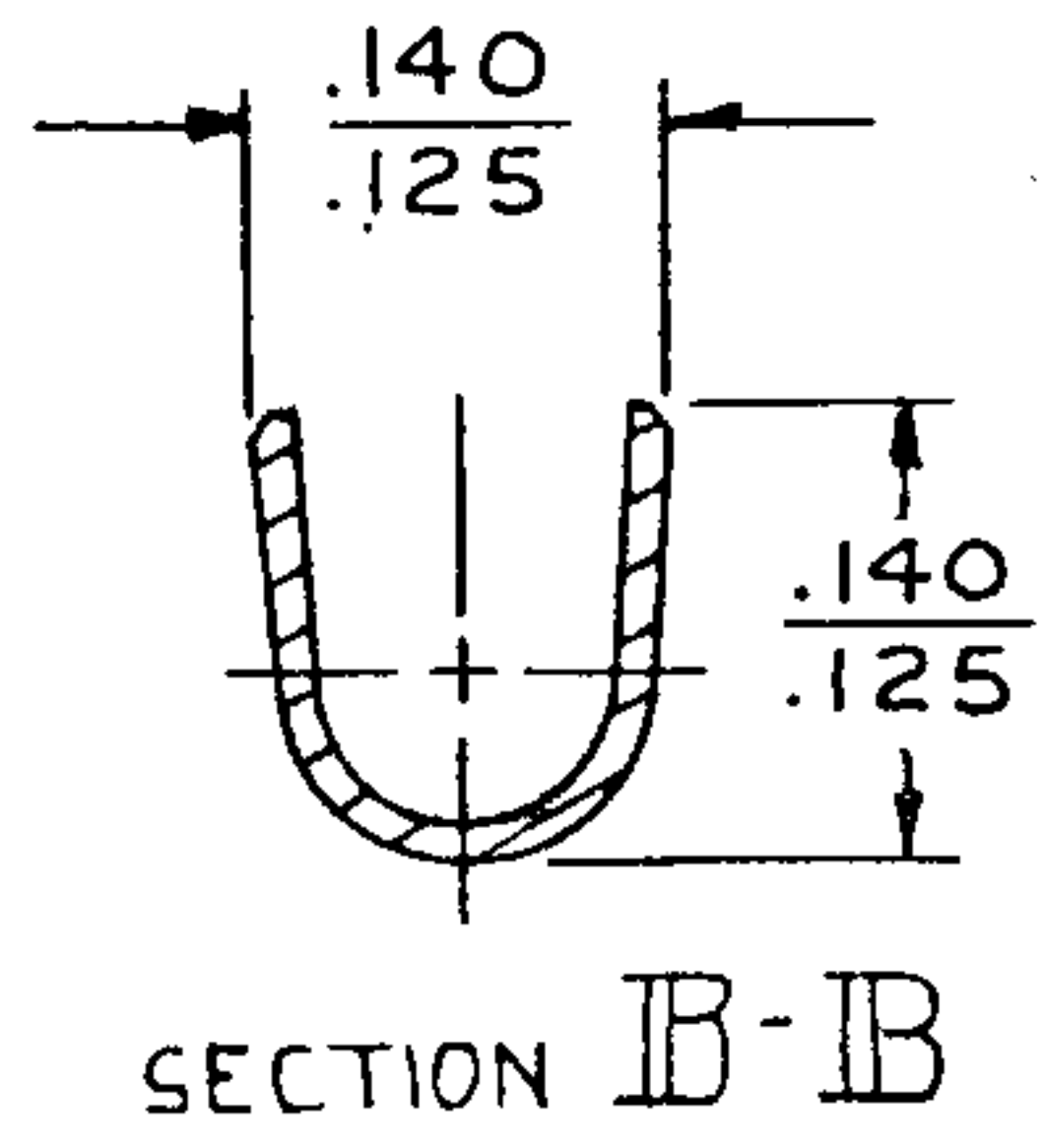
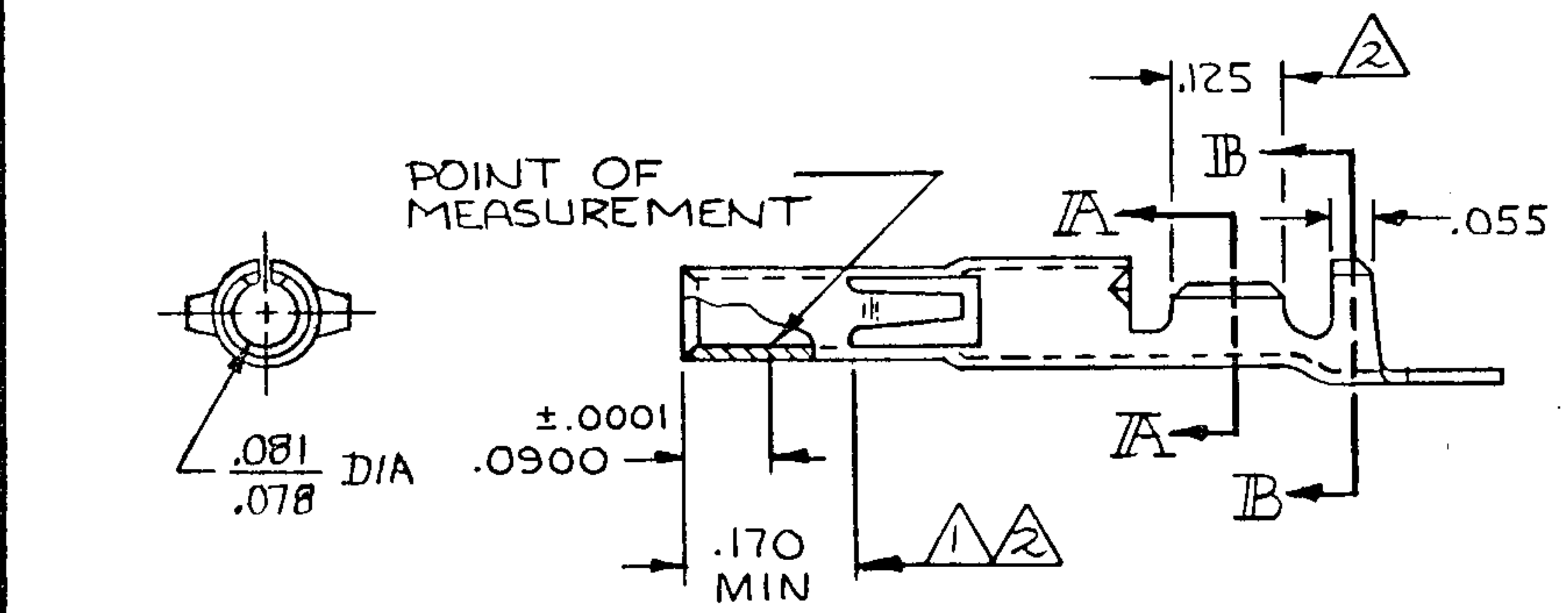
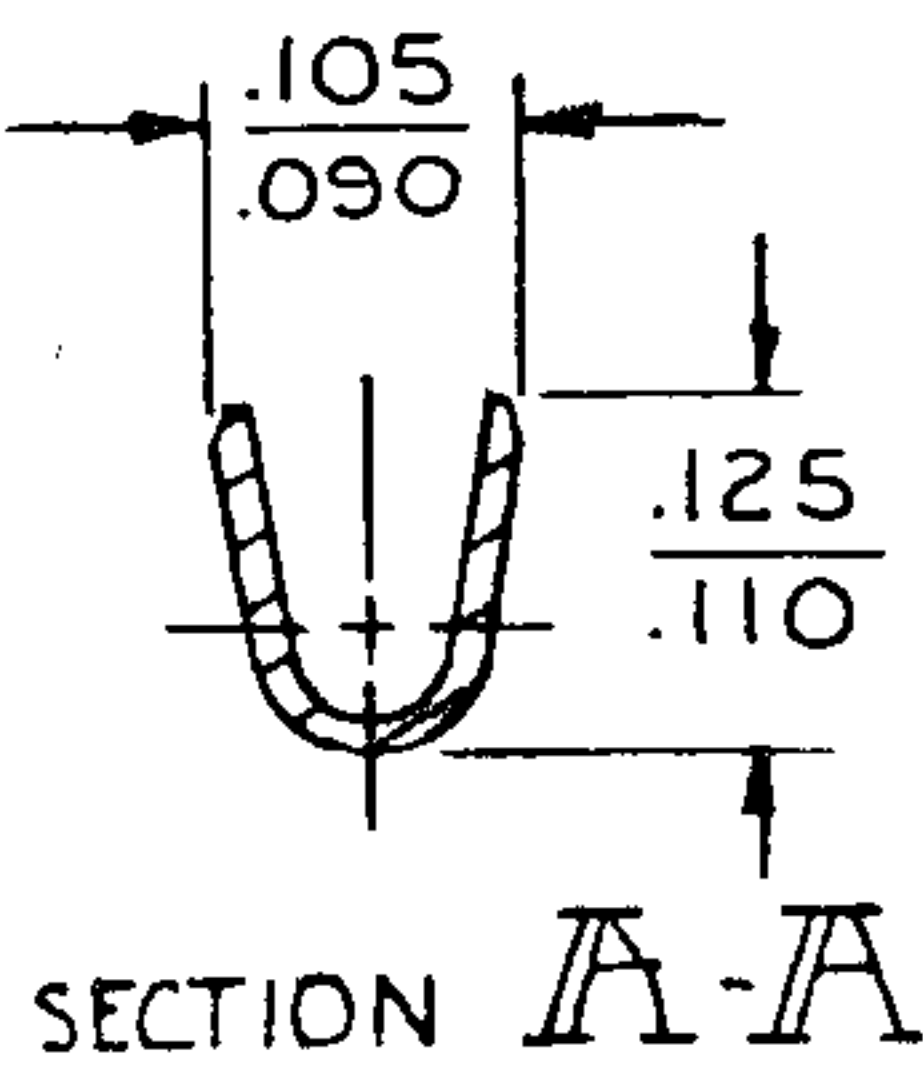
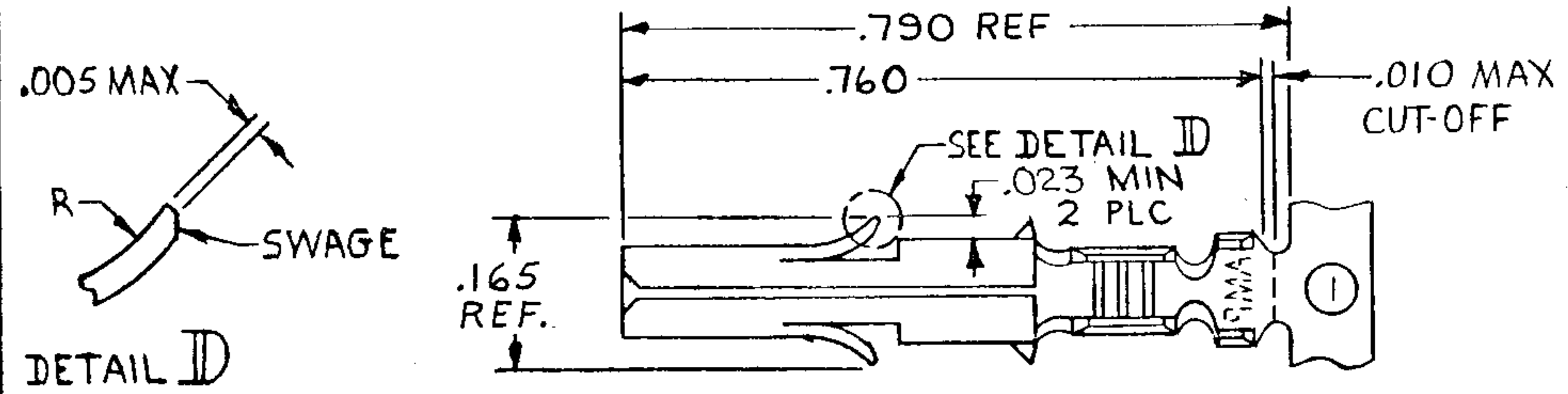


THIS DRAWING IS UNPUBLISHED. RELEASED FOR PUBLICATION

© COPYRIGHT

REVISIONS						
P	F	ZONE	LTR	DESCRIPTION	DATE	APPROVED
✓	✓		Y	REVISED PER ECR-12-013323	10AUG12	TM



- ① .000030 THICK GOLD OVER NICKEL ON INSIDE OF RECEPTACLE; REMAINDER OF CONTACT IS NICKEL PLATED.
- ② .000030 THICK GOLD OVER NICKEL ON INSIDE OF RECEPTACLE AND WIRE BARREL; REMAINDER OF CONTACT IS NICKEL PLATED.
- ③ INSULATION RANGE: .040-.100 DIA.

LOOSE PIECE (REF)	FINISH	MATERIAL	PART NO
350689-7	GOLD ①	.010 BRASS	350570-7
—		.010 PH. BRZ	350570-6
350689-3	PRE-TIN	.00 PH. BRZ	350570-3
350689-2	GOLD ②	.010 BRASS	350570-2
350689-1	PRE-TIN		350570-1

UNLESS OTHERWISE SPECIFIED DIMENSIONS ARE IN INCHES. TOLERANCES ON: DECIMALS ±.010 ANGLES ±	CONTRACT NO		STE TE Connectivity	
	DR M.FEHER 5-26-81			
	CHK J.S. Heide 6/9/81		NAME SOCKET, UNIVERSAL MATE-N-LOK	
	APPD R. P. Beck 6-10-81		SIZE B	FSCM NO 00779
WIRE RANGE 24-18 AWG	DSGN APPD	SCALE 4-1		SHEET #
INSULATION RANGE ③	OTHER APPD			