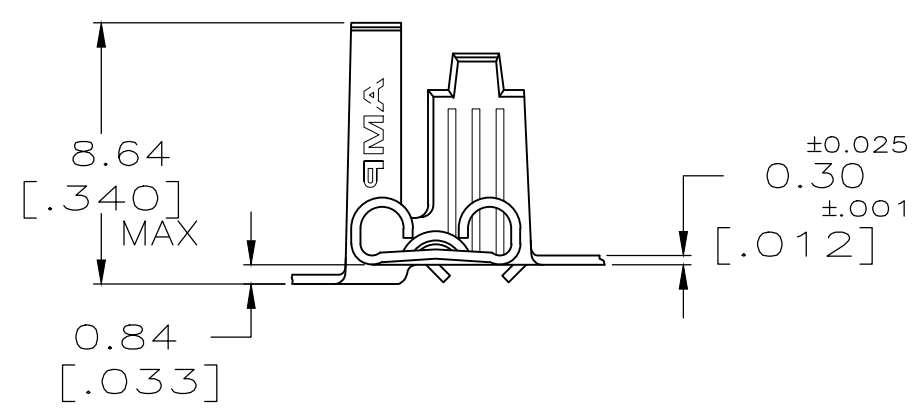
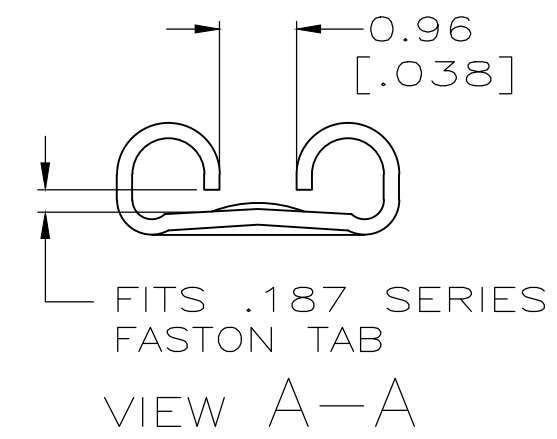
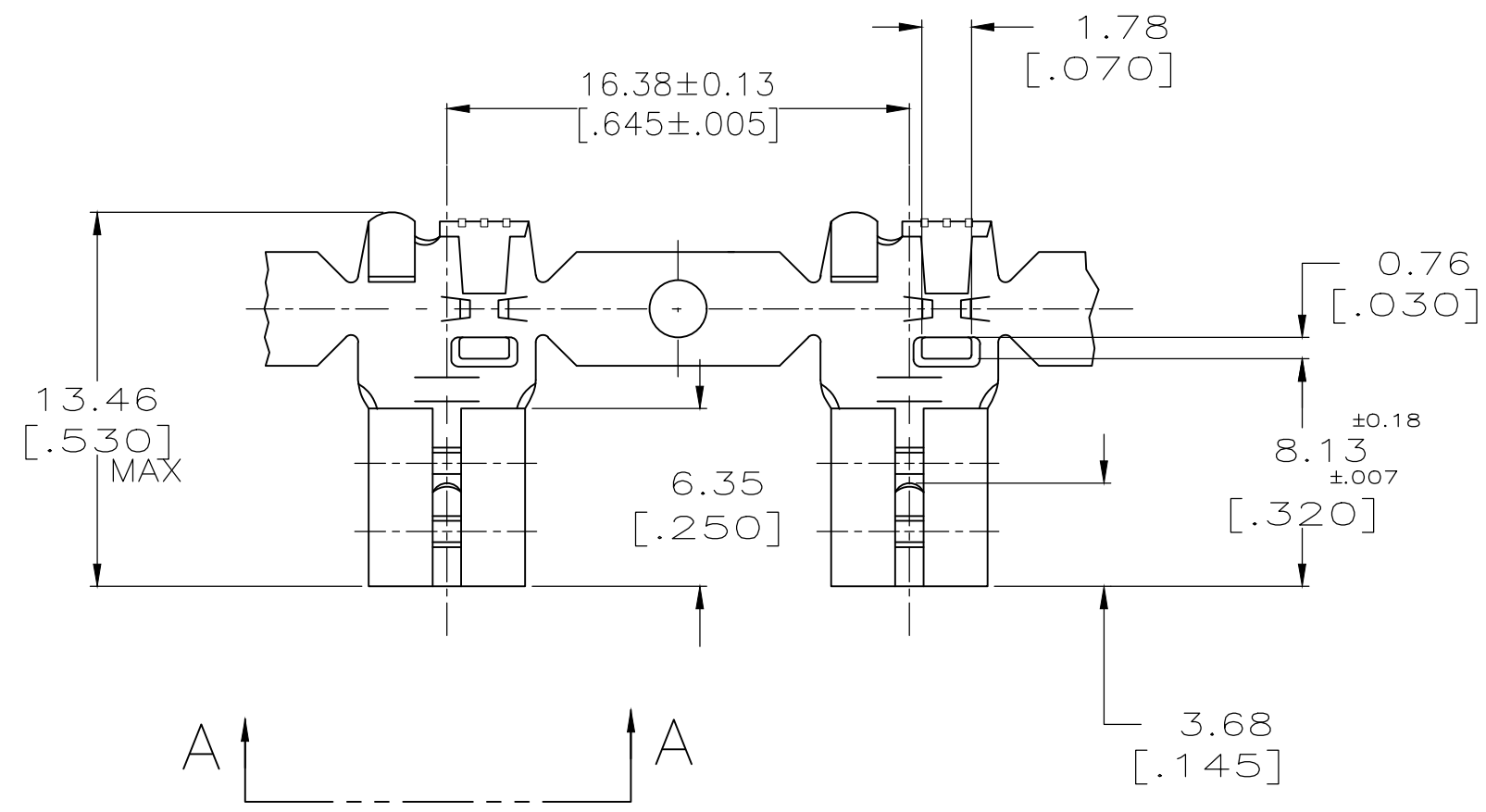


THIS DRAWING IS UNPUBLISHED. RELEASED FOR PUBLICATION
 © COPYRIGHT - By - ALL RIGHTS RESERVED.

LOC	DIST	REVISIONS			
P	LTR	DESCRIPTION	DATE	DWN	APVD
AF	50	L	REVISED PER ECR-19-012504	10SEP2019	BDA DH

- 1 CONTINUOUS STRIP ON REELS
- △3 SILVER PL 0.00381 [.000150] MIN THK.
- 4 WIRE SIZE IS 0.5-1.4mm [20-16] AWG
- 5 INSULATION RANGE IS 2.79-4.32 [.110-.170] DIA.
- 6 MATING TAB THK IS 0.81±0.025 [.032±.001].
- △7 PRELIMINARY - NOT FOR PRODUCTION
- 8 PACKAGE ON TRAVERSE REELS 12,000 PCS PER REEL WITH INTERLEAVING PAPER



--	△7 62591-2
△3	62591-2
TIN	62591-1
FINISH	PART NO

THIS DRAWING IS A CONTROLLED DOCUMENT.		DWN	JR RUTH	7/23/91	TE Connectivity			
DIMENSIONS: mm [INCHES]		CHK	MS FEHER	7/23/91				
TOLERANCES UNLESS OTHERWISE SPECIFIED:		APVD	D REINER	7/23/91	NAME			
0 PLC ± - 1 PLC ± - 2 PLC ± 0.38 [.015] 3 PLC ± - 4 PLC ± - ANGLES ± -		PRODUCT SPEC		RECEPTACLE, FASTON, 4.75 [.187] SERIES				
MATERIAL		APPLICATION SPEC		SIZE		CAGE CODE	DRAWING NO	RESTRICTED TO
BRASS		FINISH		WEIGHT		A3	00779	C-62591
SEE TABLE		CUSTOMER DRAWING		SCALE		4:1	SHEET	1 OF 1
								REV
								L