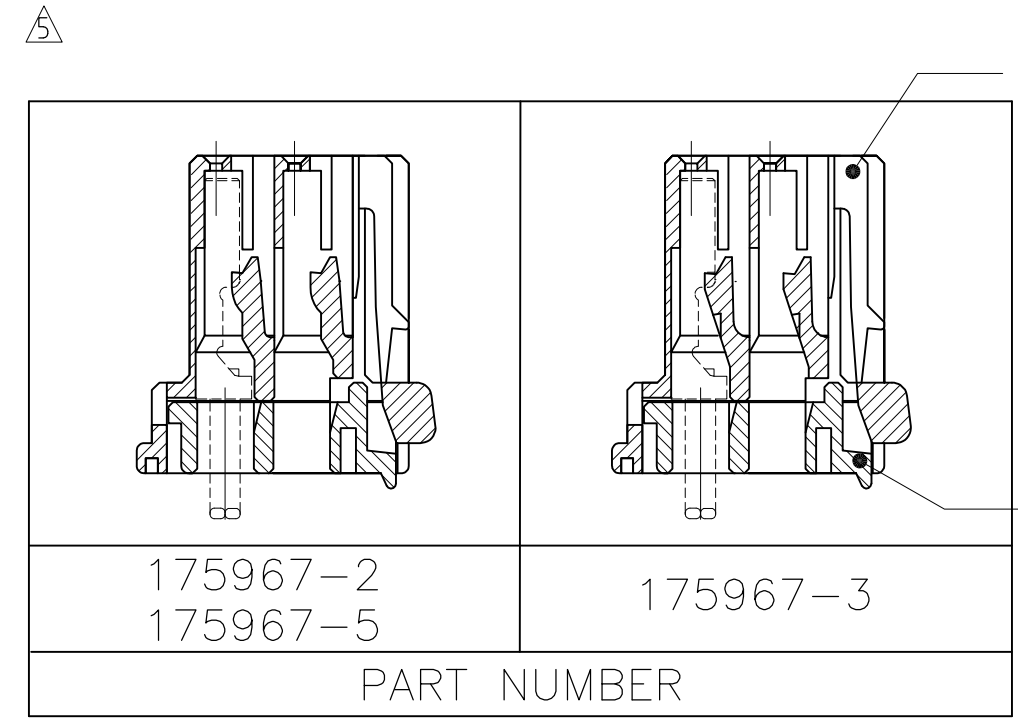
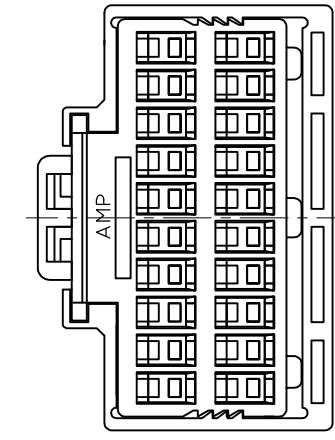
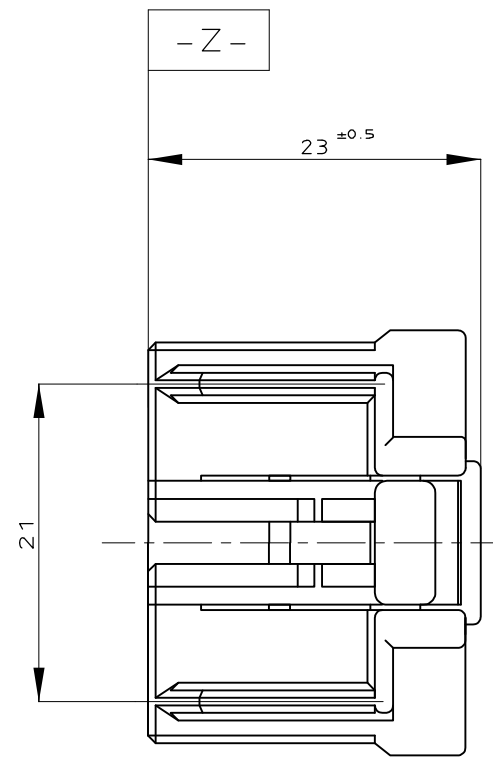
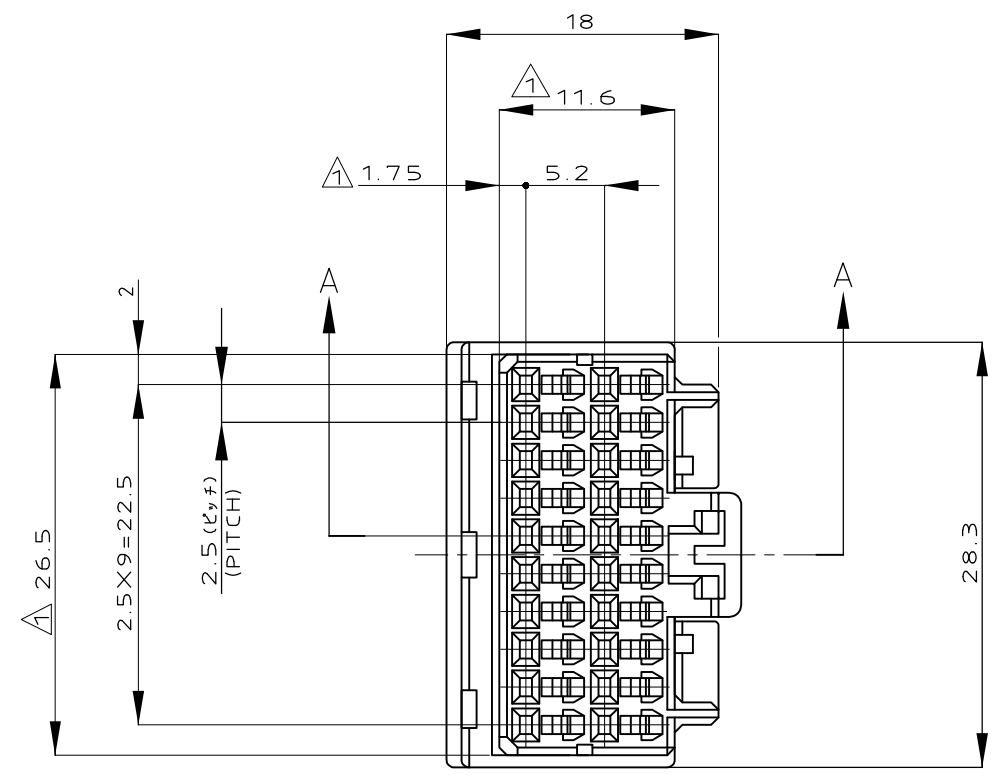
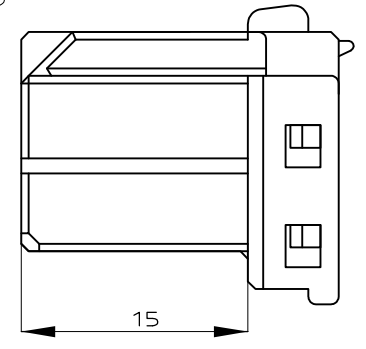


THIS DRAWING IS UNPUBLISHED. RELEASED FOR PUBLICATION
 © COPYRIGHT - By - ALL RIGHTS RESERVED.

LOC	DIST	REVISIONS					
J	-	P	LTR	DESCRIPTION	DATE	DWN	APVD
		B1		REVISED PER ECO-11-005140	28MAR11	RK	HMR



PLUG HOUSING



DOUBLE LOCK PLATE

175967-2
175967-5

175967-3

PART NUMBER

A-A

- ① MUST BE KEPT BETWEEN -Z- AND 2mm
- ② THE MATING CAP HSG. PART NUMBER; 175975,174912,175977
- ③ APPLIED CONTACT P/N; 173681
- ④ APPLICABLE PRODUCT SPEC NO.; 108-5281
- ⑤ THIS PLUG HOUSING HAVE TWO KINDS OF LANCE TYPE

- ① -Z- 面より2mmの範囲で測定。
- ② 嵌合相手ハウジング型番：175975,174912,175977
- ③ 内装するリセプタクルコンタクト型番：173681
- ④ 適用製品規格番号：108-5281
- ⑤ 本プラグハウジングは2タイプのランス形状がある

BLUE	175967-5
BLACK	175967-3
BLACK	175967-2
COLOR	PART NUMBER

TOLERANCE UNLESS OTHERWISE SPECIFIED: 一般公差

0 < x ≤ 10	: ±0.2
10 < x ≤ 30	: ±0.25
30 < x ≤ 100	: ±0.3
ANGLE ; 角度	: ±3°

THIS DRAWING IS A CONTROLLED DOCUMENT.

DWN	K. SUZUKI	24OCT89
CHK	Y. MATSUSAKA	19DEC89
APVD	M. NOGUCHI	26DEC89
PRODUCT SPEC	108-5281	
APPLICATION SPEC	取付適用規格	
WEIGHT	4.9 g	

MATERIAL: PBT

FINISH: 仕上

COLOR: HOUSING; SEE TABLE; PLATE; NATURAL

STE TE Connectivity

NAME: 040 SERIES MULTILOCK I/O CONNECTOR MK-II

20POSITION PLUG HOUSING ASSEMBLY

SIZE: A3

CAGE CODE: 00779

DRAWING NO: C-175967

RESTRICTED TO: -

SCALE: 2:1

SHEET: 1 OF 1

REV: B1

CUSTOMER DRAWING