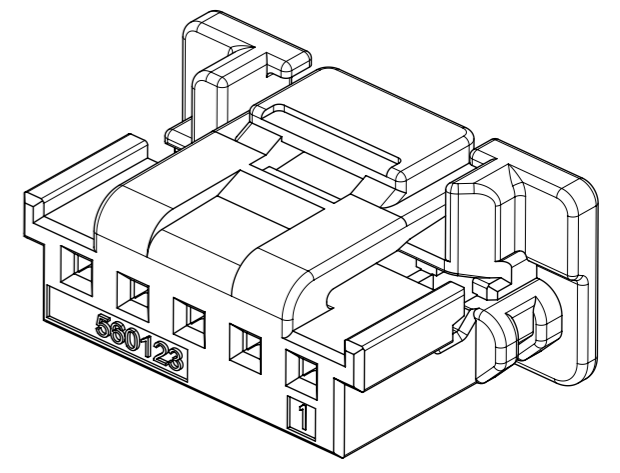
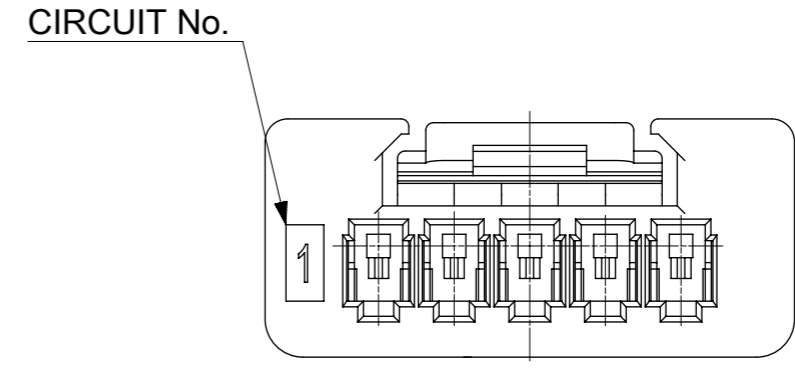
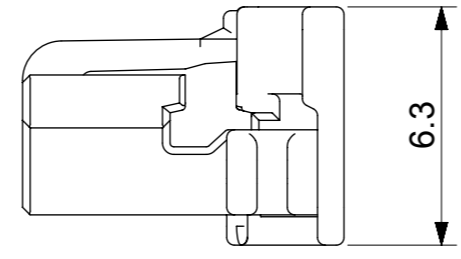
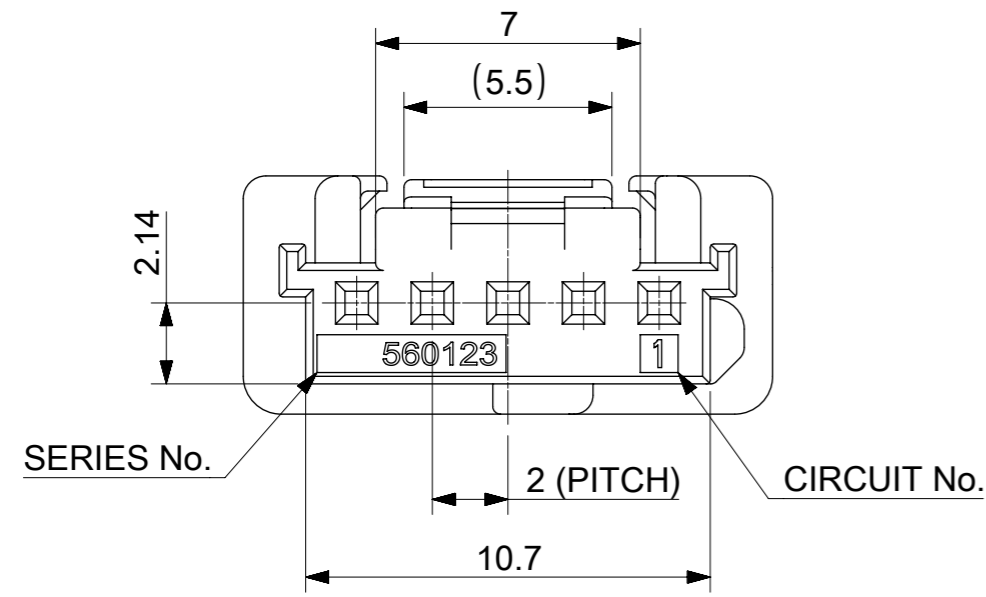
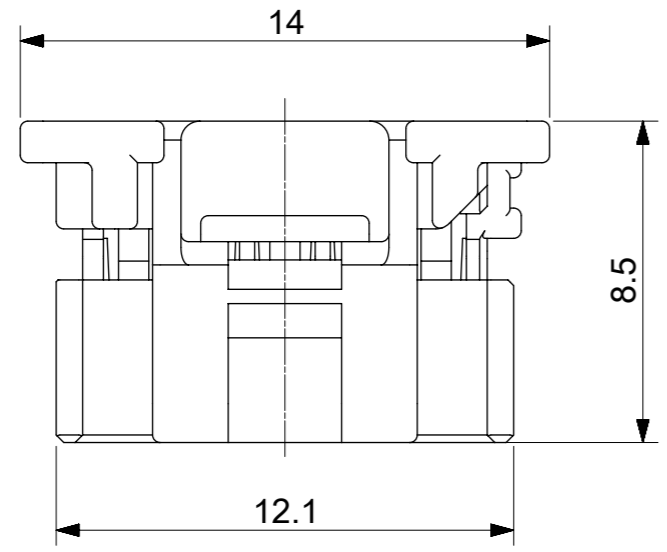
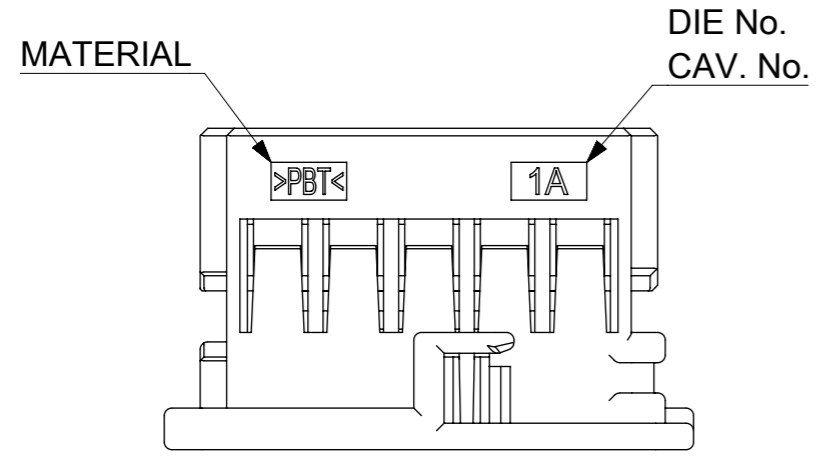


GENERAL TOLERANCE										USED ON
10 MAX	30 MAX	50 MAX	70 MAX	100 MAX	120 MAX	250 MAX	250 OVR	ANGLE	ECCENT	
±0.15	±0.20	±0.30	±0.40	±0.50	±0.75	±0.90	±1.4	±0.5°	0.1	



ISO VIEW



- NOTES:
1. MATERIAL: POLYESTER(PBT), GLASS FILLES, UL94V-0  
COLOR: SEE TABLE
  2. MATES WITH: 502352, 560020 SERIES
  3. APPLICABLE TERMINAL: 560124-0101,560124-0131
  4. APPLICABLE ISL: 560125-0500
  5. GENERAL TOLERANCE: SEE TABLE
  6. ELV AND RoHS COMPLIANT

ORDER NO	MATERIAL NO	COLOR
560123 - 0500	5601230500	WHITE
560123 - 0501	5601230501	BLACK

<b>QUALITY SYMBOLS</b> FA = 0 FE = 0 FB = 0 FV = 0 FC = 0 FX = 0 FS = 0 FT = 0	THIS DRAWING CONTAINS INFORMATION THAT IS PROPRIETARY TO MOLEX ELECTRONIC TECHNOLOGIES, LLC AND SHOULD NOT BE USED WITHOUT WRITTEN PERMISSION				DIMENSION UNITS: MM SCALE: 5:1				
	EC NO: 109134 DRWN: SWYOON CHK'D: BCYOON APPR: JHJANG	2016/10/07 2016/10/07 2016/10/18	GENERAL TOLERANCES (UNLESS SPECIFIED) ANGULAR TOL ± °		DRWN BY: SWYOON DATE: 2016/10/07	NEW 2.0 PITCH W/B CONN. REC. 5WAY HSG DURACLIC ISL SERIES			
		RELEASED	4 PLACES ± 3 PLACES ± 2 PLACES ± 1 PLACE ± 0 PLACES ±	CHK'D BY: BCYOON DATE: 2016/10/07	PRODUCT CUSTOMER DRAWING				
		A	DRAFT WHERE APPLICABLE MUST REMAIN WITHIN DIMENSIONS	APPR BY: JHJANG DATE:				DRAWING SIZE: A3 THIRD ANGLE PROJECTION	SERIES: 560123 MATERIAL NUMBER: SEE TABLE CUSTOMER: