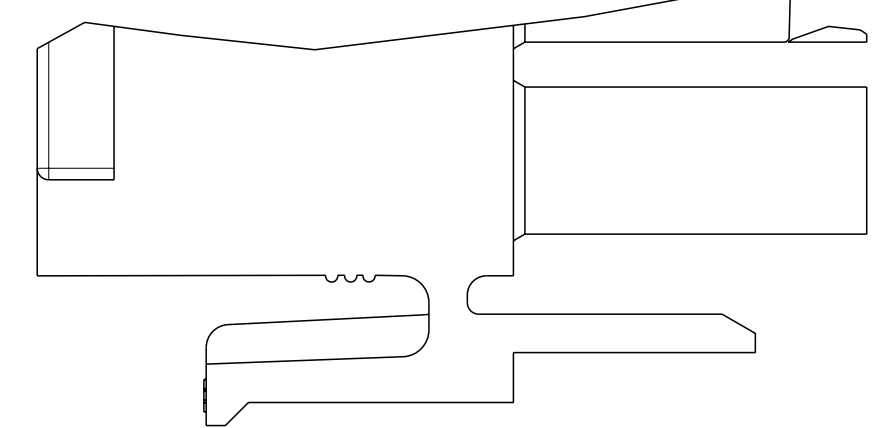
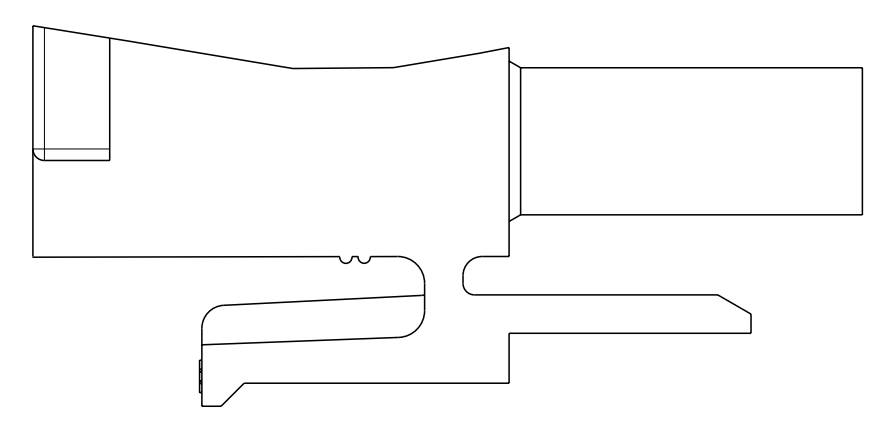
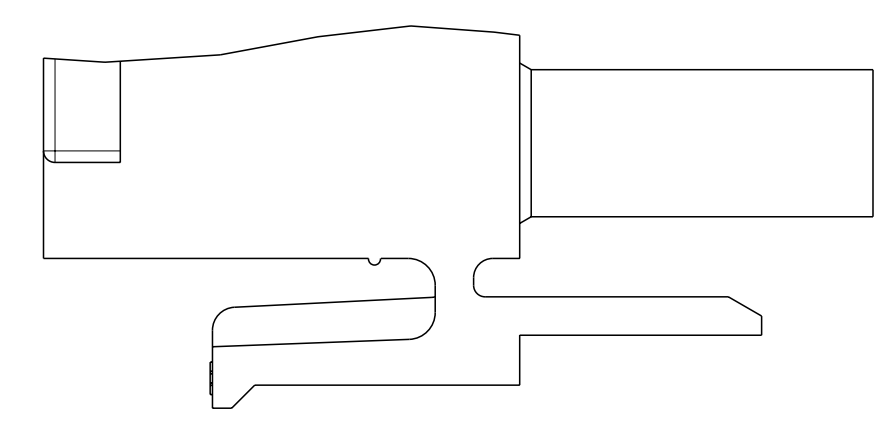
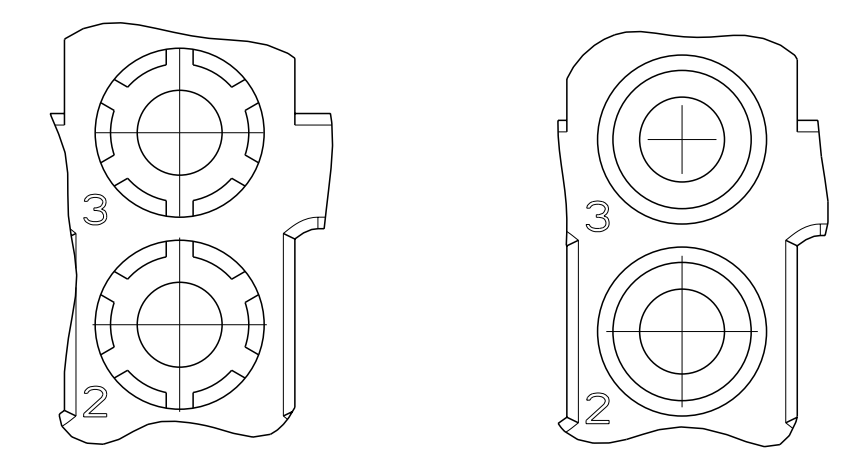
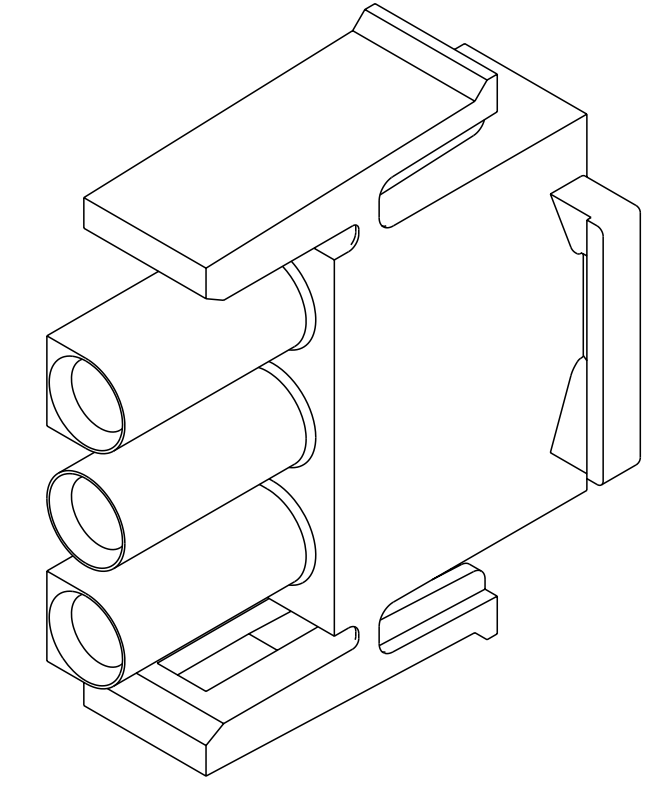
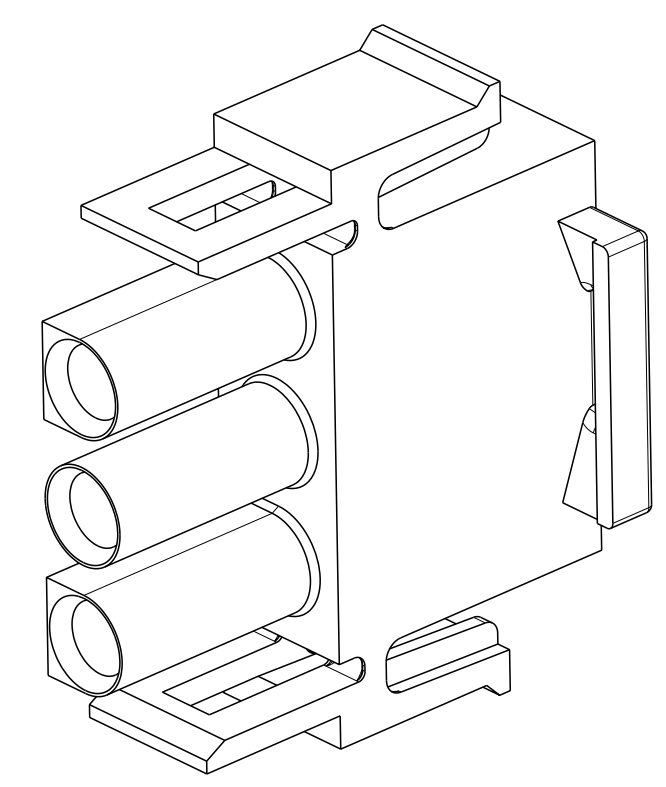
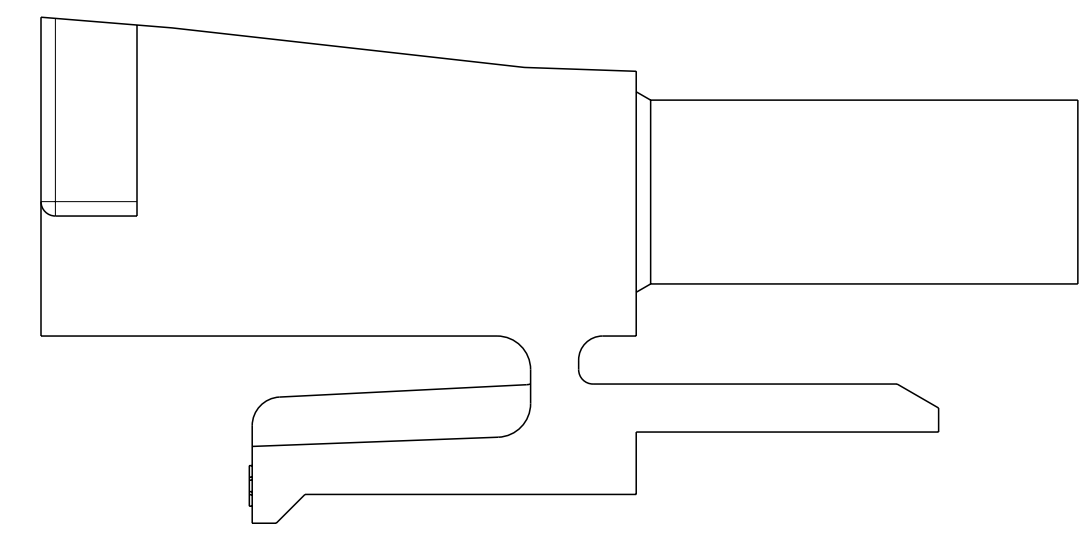
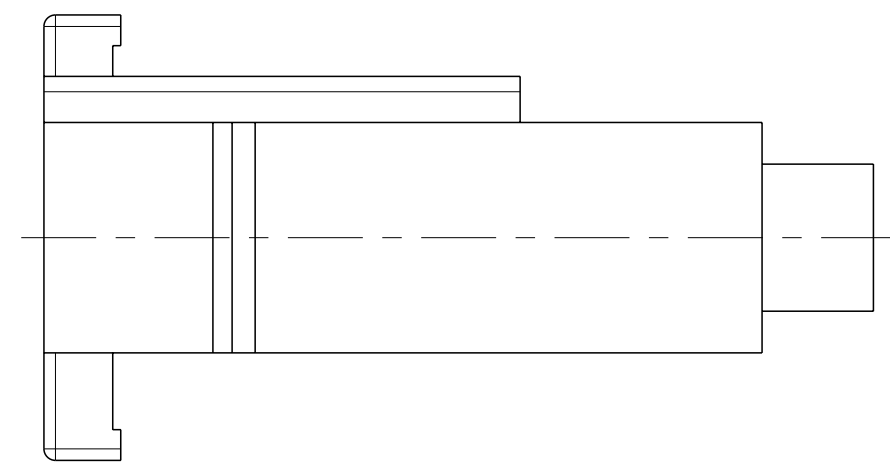
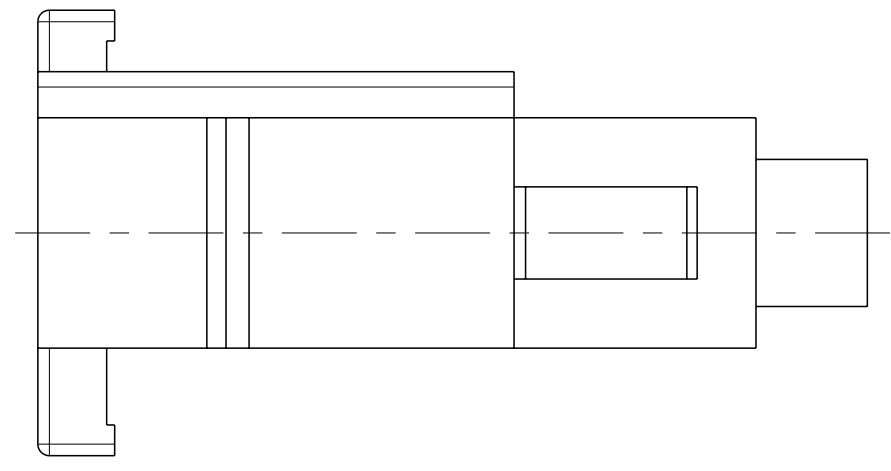
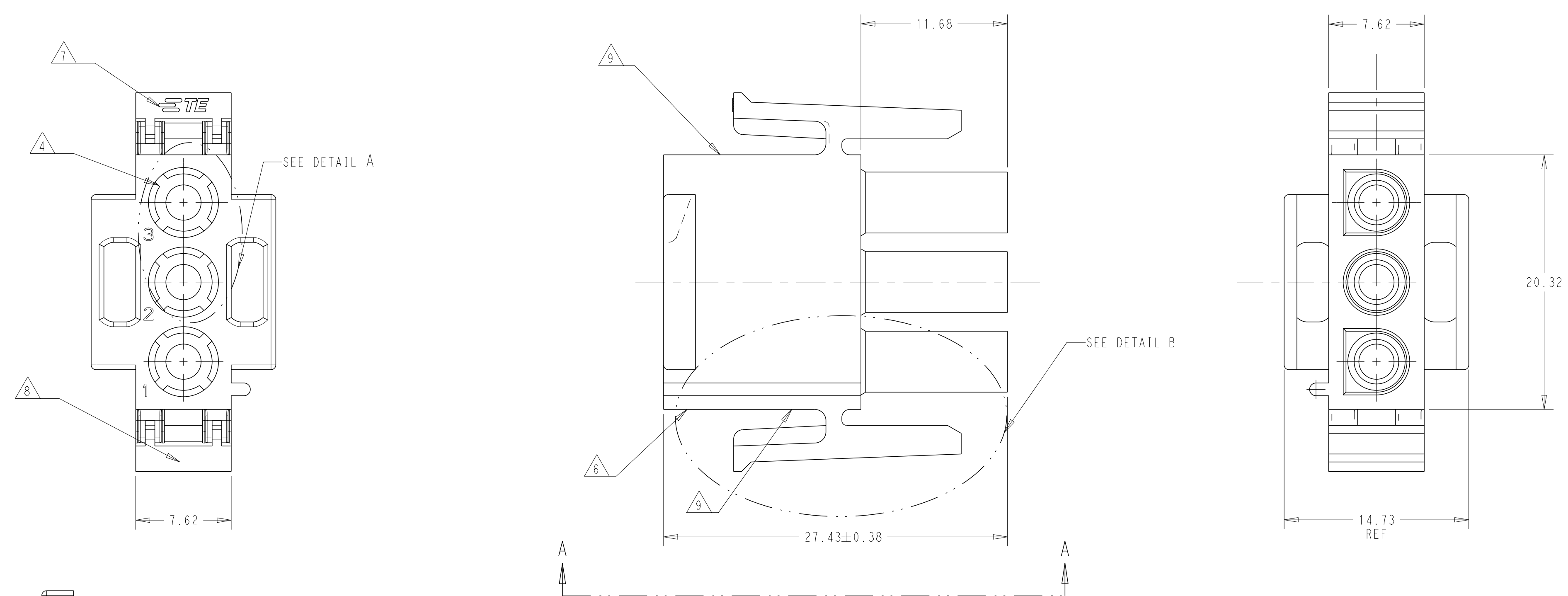


REVISIONS				
#	LY#	DESCRIPTION	DATE	OWN APVD
Z		REVISED PER ECR-19-011518	06SEP2019	BDA SF



- 1 MATES WITH APPROPRIATE UNIVERSAL MATE-N-LOK CAP OR HEADER.
- 2 SMALL NICKS ARE PERMITTED ON THE CIRCUIT TOWERS WHICH COULD INCREASE THE INITIAL HOUSING MATING FORCE BY UP TO 4.4 NEWTONS (1.0 LBS). NO INDIVIDUAL NICKED TOWER SHALL INCREASE THIS FORCE BY OVER 2.2 NEWTONS (.5 LBS).
- 3 DIMENSIONS SHOWN REPRESENT PRODUCT IN DRY, AS MOLDED, CONDITION. ADDITIONAL 2% GROWTH DUE TO SUBSEQUENT MOISTURE ABSORPTION MAY OCCUR AND SHOULD BE ACCOUNTED FOR.
- 4 FOUR RIBS EQUALLY SPACED, NO SPECIFIC ORIENTATION. NO RIBS OR SIX RIBS EQUALLY SPACED, NO SPECIFIC ORIENTATION, OPTIONAL.
- 5 NOT MANUFACTURED IN U.S.
- 6 UNDERWRITERS RECOGNIZED COMPONENT LOGO AND CSA CERTIFICATION LOGO TO BE LOCATED ONCE EACH ON SIDE OF HOUSING.
- 7 TRADEMARK LOCATION (AMP OR TE CONNECTIVITY).
- 8 MANUFACTURING LOCATION ID (OPTIONAL).
- 9 PRESENCE OF MOLD RELEASE RIBS IS OPTIONAL. RIBS DO NOT AFFECT FIT OR FUNCTION OF PRODUCT. SEE DETAIL C FOR CONSTRUCTION OPTIONS WITH 1, 2, OR 3 RIBS

1.080	27.43
.800	20.32
.580	14.73
.460	11.68
.300	7.62
.015	0.38
.005	0.13
IN	MM

CONVERSION TABLE

BLACK	1-350766-9
GRAY	1-350766-8
BLUE	1-350766-6
GREEN	1-350766-5
YELLOW	1-350766-4
ORANGE	1-350766-3
RED	1-350766-2
BROWN	1-350766-1
NATURAL	350766-4
5	350766-2
NATURAL	350766-1
COLOR	PART NUMBER

THIS DRAWING IS A CONTROLLED DOCUMENT.

DIMENSIONS:	TOLERANCES UNLESS OTHERWISE SPECIFIED:	OWN: K. WHITAKER 07OCT2005	CHK: S. RIDGILL 07OCT2005	APVD: S. RIDGILL 07OCT2005	NAME: PLUG, 3 CIRCUIT, UNIVERSAL MATE-N-LOCK(TM)
IN	0 PLC ±	APVD: S. RIDGILL 07OCT2005	PRODUCT SPEC	APPLICATION SPEC	SIZE: A
	1 PLC ±	PRODUCT SPEC	APPLICATION SPEC	WEIGHT	CAGE CODE: 00779
	2 PLC ±	APPLICATION SPEC	WEIGHT	CUSTOMER DRAWING	DRAWING NO: 350766
	3 PLC ±	WEIGHT	CUSTOMER DRAWING	SCALE: 5:1	SHEET 1 OF 1
	4 PLC ±	SCALE: 5:1	SHEET 1 OF 1	REV: Z	
	ANGLES: 40°/30°				
MATERIAL: NYLON, UL 94V-0					

TE Connectivity