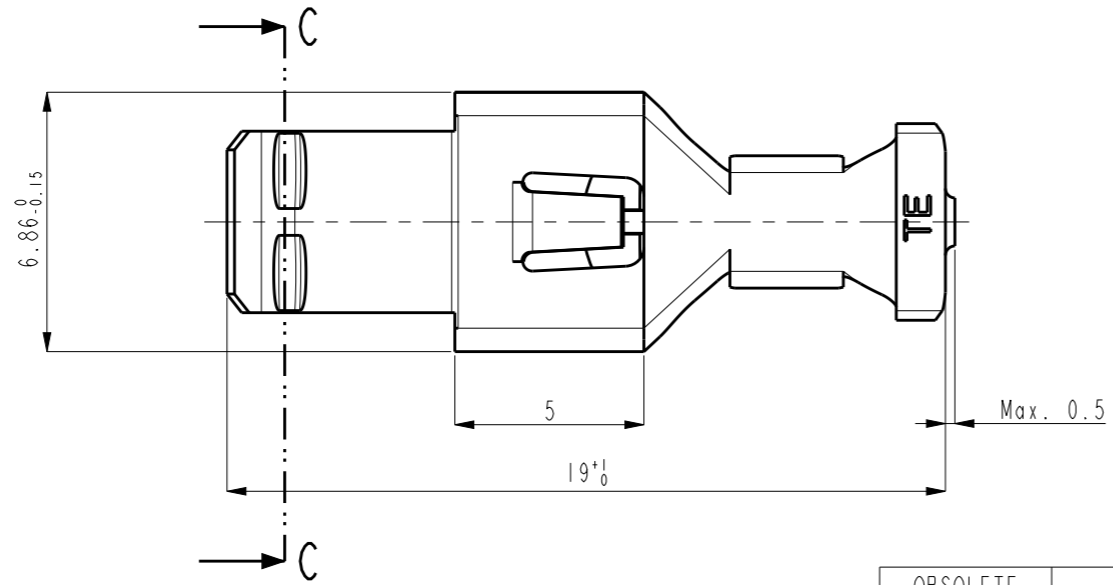
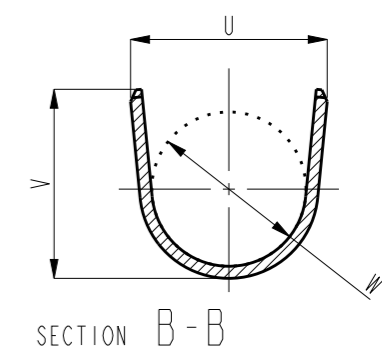
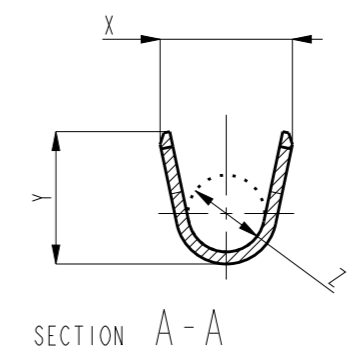
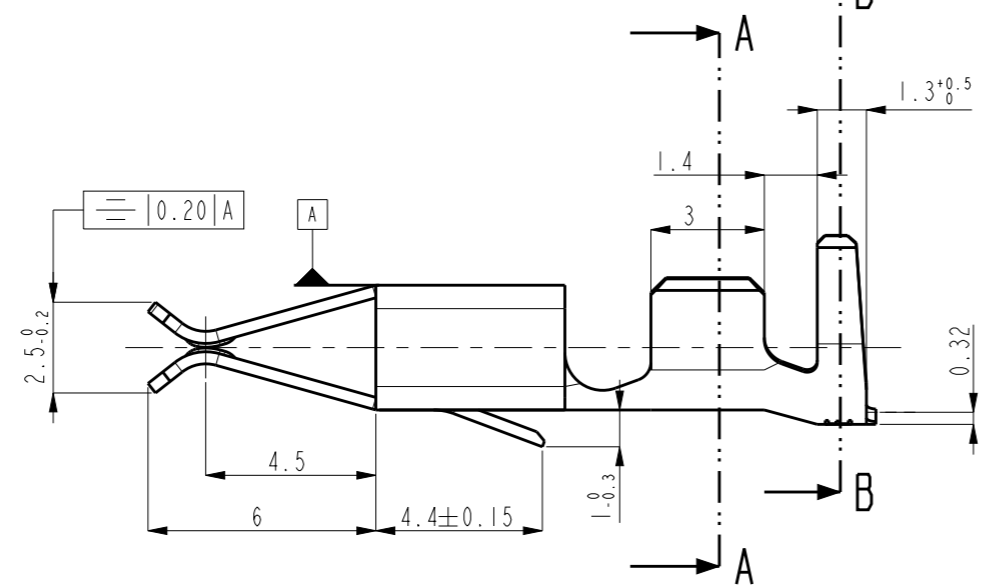
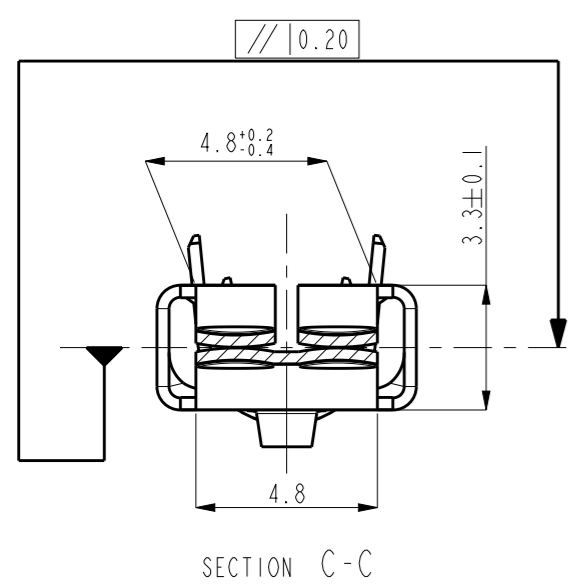
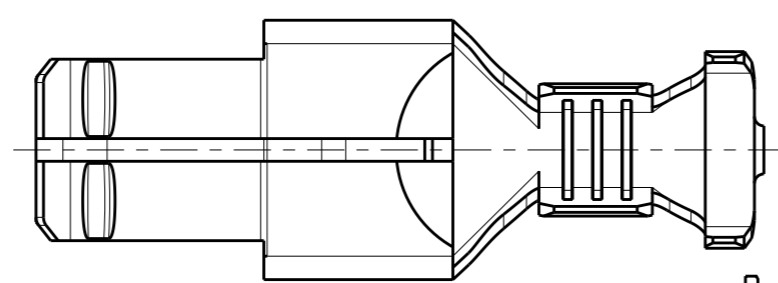


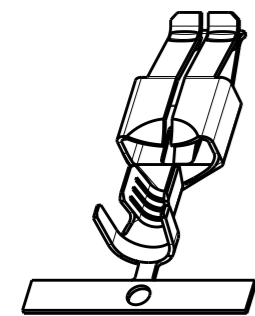
THIS DRAWING IS UNPUBLISHED. RELEASED FOR PUBLICATION. ALL RIGHTS RESERVED.

P	LTR	DESCRIPTION	DATE	DWN	APVD
	D3	ECR-16-013486	26SEP2016	KD	RR
	D4	ECR-16-014897	10FEB2017	KD	RR



1 PRELIMINARY - NOT RELEASED FOR PRODUCTION
 2 -

REMARK	INSUL. RANGE	WIRE RANGE	U	V	W	X	Y	Z	FINISH	MATERIAL	PART NO.	REV.
OBSOLETE			5.2	5.0	∅4.0	3.6	3.5	∅2.0	TIN	CuFe	926973-3	0
OBSOLETE	∅3.0 - 4.3 mm	1.0 - 2.5 mm ²	+0.5 /-0.1	±0.3	±0.2	±0.3	±0.3	±0.2	TIN	CuSn4	926973-2	0
									TIN	CuZn30	926973-1	D



SCALE 2:1

CROSS-SECTION IN mm ²
X-926973-X
1.0
1.5
2.0
2.5

DIMENSIONS: mm		TOLERANCES UNLESS OTHERWISE SPECIFIED:	
0 PLC	±0	1 PLC	±0
1 PLC	±0	2 PLC	±0.2
2 PLC	±0.2	3 PLC	±0
3 PLC	±0	4 PLC	±0
4 PLC	±0	ANGLES	±1°
MATERIAL	-	FINISH	-
	-		-

THIS DRAWING IS A CONTROLLED DOCUMENT.		DWN	03 MRZ 1988
		GOERKE	
		CHK	07 MAZ 1988
		BITSCH	
		APVD	-
		PRODUCT SPEC	-
		APPLICATION SPEC	-
		WEIGHT	0.528
CUSTOMER DRAWING			

STE TE Connectivity			
NAME STANDARD-TIMER CONTACT			
SIZE	CAGE CODE	DRAWING NO	RESTRICTED TO
A3	00779	926973	-
SCALE 5:1		SHEET 1 OF 3	REV D4

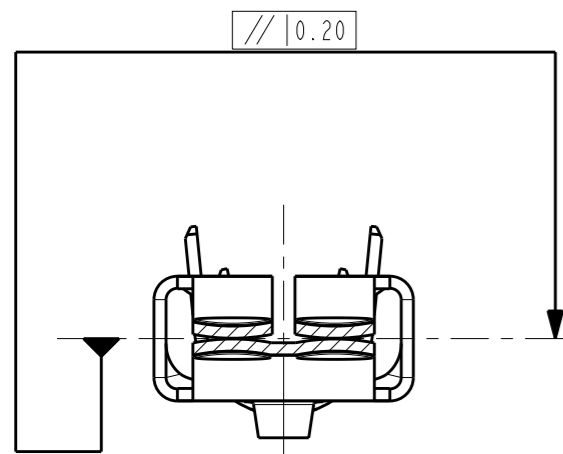
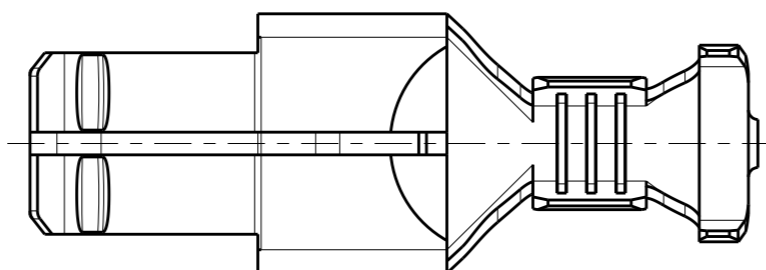
THIS DRAWING IS UNPUBLISHED.

RELEASED FOR PUBLICATION

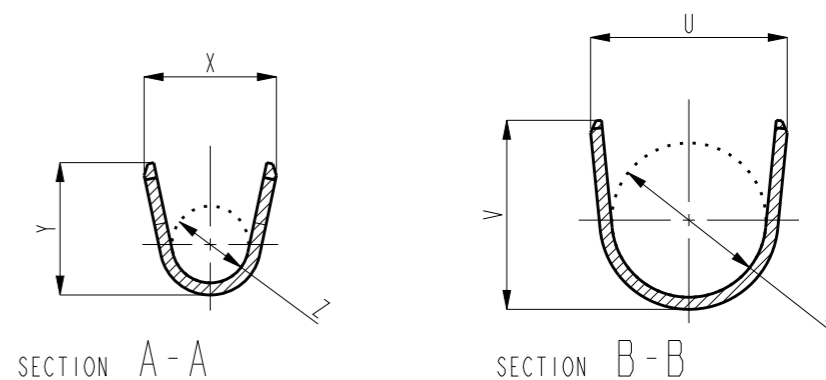
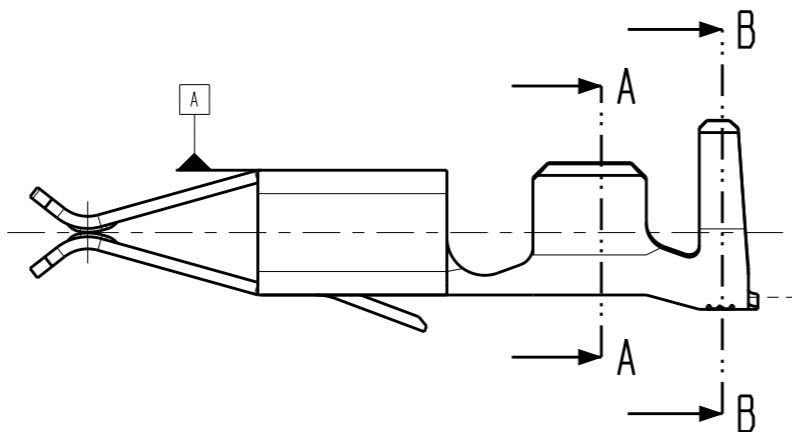
© COPYRIGHT - BY - ALL RIGHTS RESERVED.

REVISIONS

P	LTR	DESCRIPTION	DATE	DWN	APVD
-	-	SEE SHEET 1	-	-	-

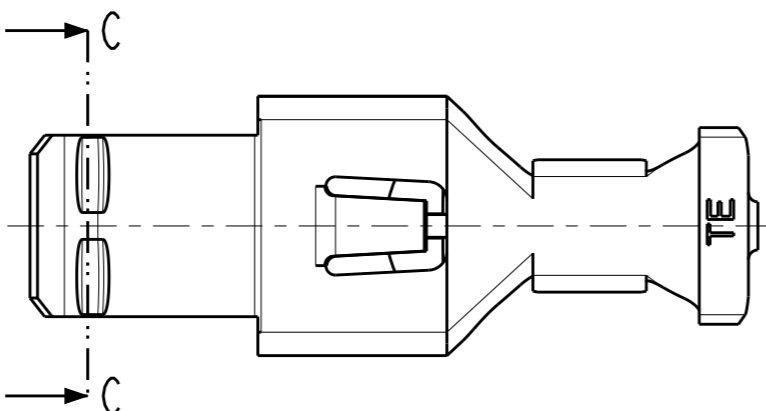


SECTION C-C

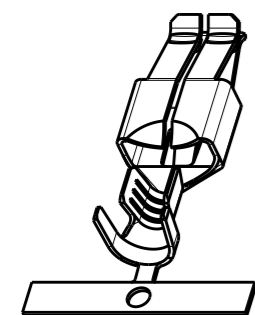


SECTION A-A

SECTION B-B



ATTENTION!
 ONLY FOR 3-926965-1
 OTHER DIMENSION SEE SHEET 1



SCALE 2:1

REMARK	INSUL. RANGE	WIRE RANGE	U	V	W	X	Y	Z	FINISH	MATERIAL	PART NO.	REV.
	Ø2.0 - 3.0 mm	0.5 - 1.5 mm ²	4.1 ±0.2	4.3 ±0.2	Ø2.8 ±0.2	3.0 ±0.2	3.2 ±0.2	Ø1.4 ±0.2	TIN	CuZn30	3-926965-1	A

THIS DRAWING IS A CONTROLLED DOCUMENT.

DWN GOERKE 03 MRZ 1988

CHK BITSCH 07 MAZ 1988

APVD -

PRODUCT SPEC -

APPLICATION SPEC -

WEIGHT 0.528

CUSTOMER DRAWING



NAME STANDARD-TIMER CONTACT
 -
 -

SIZE A3 CAGE CODE 00779 DRAWING NO C-926973 RESTRICTED TO -

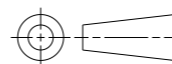
SCALE 5:1 SHEET 2 OF 3 REV D4

CROSS-SECTION IN mm²

3-926965-1
0.5
0.5 + 0.5
0.75
1.0
1.5

DIMENSIONS:

mm



TOLERANCES UNLESS OTHERWISE SPECIFIED:

0 PLC	±-
1 PLC	±-
2 PLC	±0.2
3 PLC	±-
4 PLC	±-
ANGLES	±1°

MATERIAL

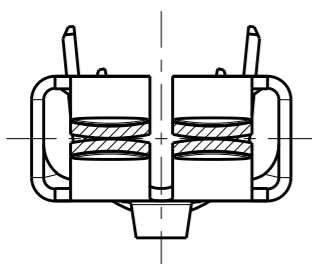
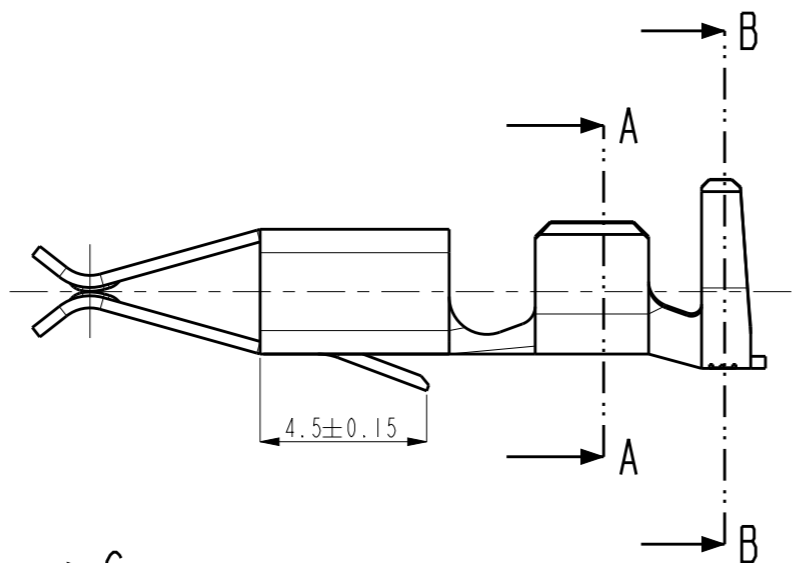
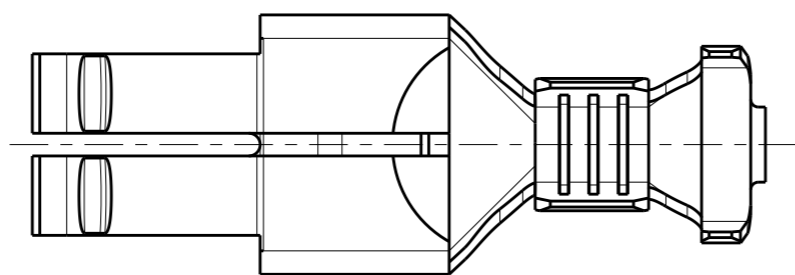
-

FINISH

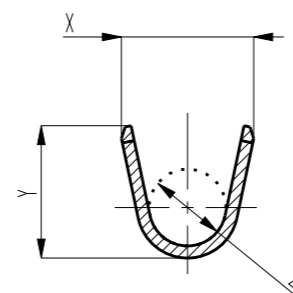
-

REVISIONS

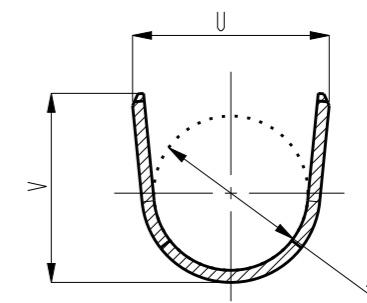
P	LTR	DESCRIPTION	DATE	DWN	APVD
-	-	SEE SHEET 1	-	-	-



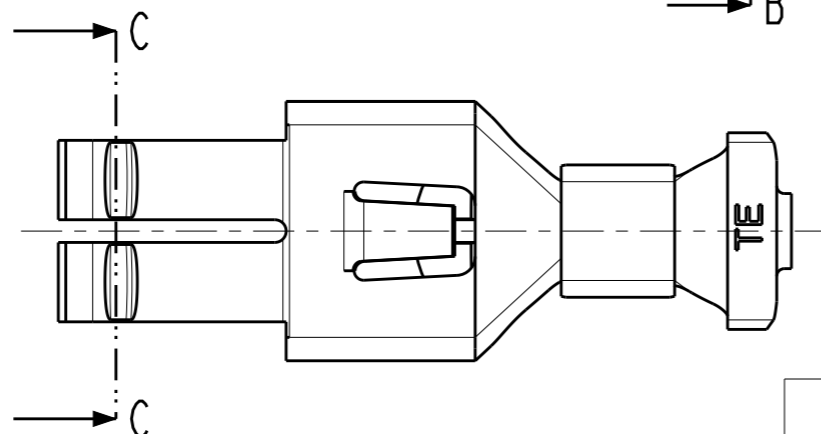
SECTION C-C



SECTION A-A



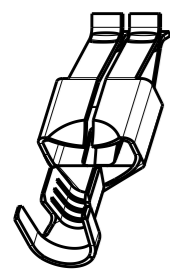
SECTION B-B



ATTENTION!
 ONLY FOR 3-925575-1, 3-925575-2,
 3-927865-1, 3-927865-4,
 3-925612-1
 OTHER DIMENSION SEE SHEET 1

REMARK	INSUL. RANGE	WIRE RANGE	U	V	W	X	Y	Z	FINISH	MATERIAL	PART NO.	REV.
	∅ 3.0 - 4.3 mm	1.0 - 2.5 mm ²	5.2 +0.5 /-0.1	5.0 ±0.3	∅ 4.0 ±0.2	3.5 ±0.3	3.5 ±0.3	∅ 2.0 ±0.2	TIN	CuZn30	3-925612-1	A
	∅ 2.0 - 3.3 mm	0.5 - 1.0 mm ²	4.4 ±0.2	4.6 ±0.2	∅ 2.4 ±0.2	2.6 ±0.2	2.8 ±0.2	∅ 1.1 ±0.2	-	Brass	3-927865-4	A
	∅ 2.0 - 3.0 mm	1.0 - 1.5 mm ²	4.1 ±0.2	4.3 ±0.2	∅ 2.8 ±0.2	3.0 ±0.2	3.2 ±0.2	∅ 1.4 ±0.2	TIN	CuSn4	3-925575-2	A
									TIN	CuZn30	3-925575-1	A

CROSS-SECTION IN mm ²		
3-925575-X	3-927865-X	3-925612-X
0.5 + 0.5	0.5	0.5 + 0.5
0.75 + 0.5	0.5 + 0.5	0.5 + 0.75
1.0	0.75	0.5 + 1.0
1.5	1.0	0.75 + 0.75
		1.0
		1.5
		2.0
		2.5



SCALE 2:1

THIS DRAWING IS A CONTROLLED DOCUMENT.

DIMENSIONS:	TOLERANCES UNLESS OTHERWISE SPECIFIED:
mm	0 PLC ±-
	1 PLC ±-
	2 PLC ±0.2
	3 PLC ±-
	4 PLC ±-
	ANGLES ±1°
MATERIAL	FINISH
-	-
-	-

DWN	03 MRZ 1988
GOERKE	
CHK	07 MAZ 1988
BITSCH	
APVD	-
PRODUCT SPEC	-
APPLICATION SPEC	-
WEIGHT	0.528
CUSTOMER DRAWING	

		STANDARD-TIMER CONTACT	
		SIZE	A3
CAGE CODE	00779	DRAWING NO	C-926973
RESTRICTED TO		SCALE	5:1
		SHEET	3 OF 3
		REV	D4