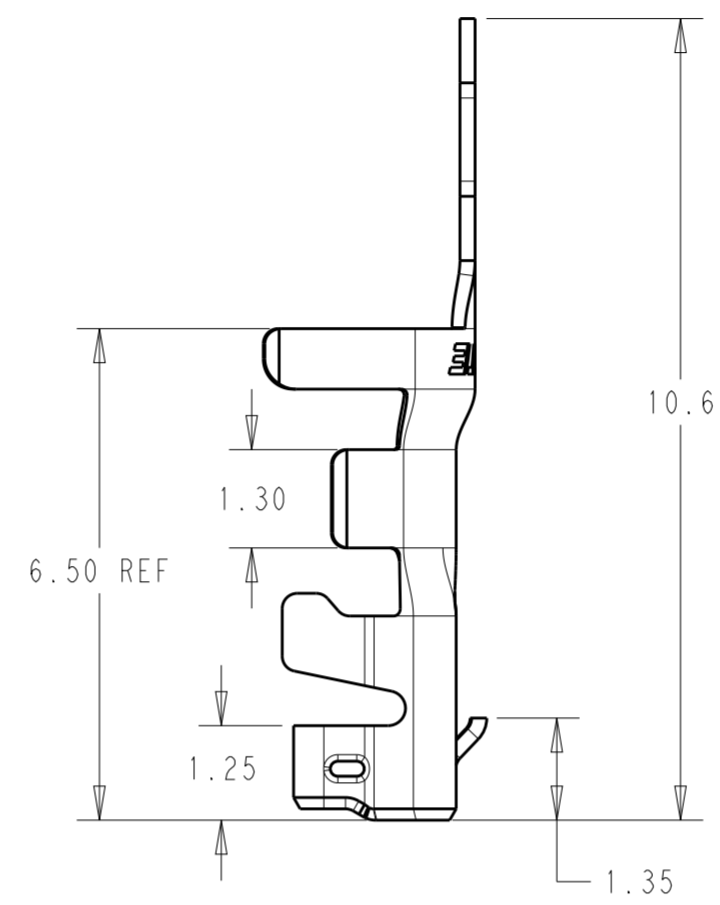
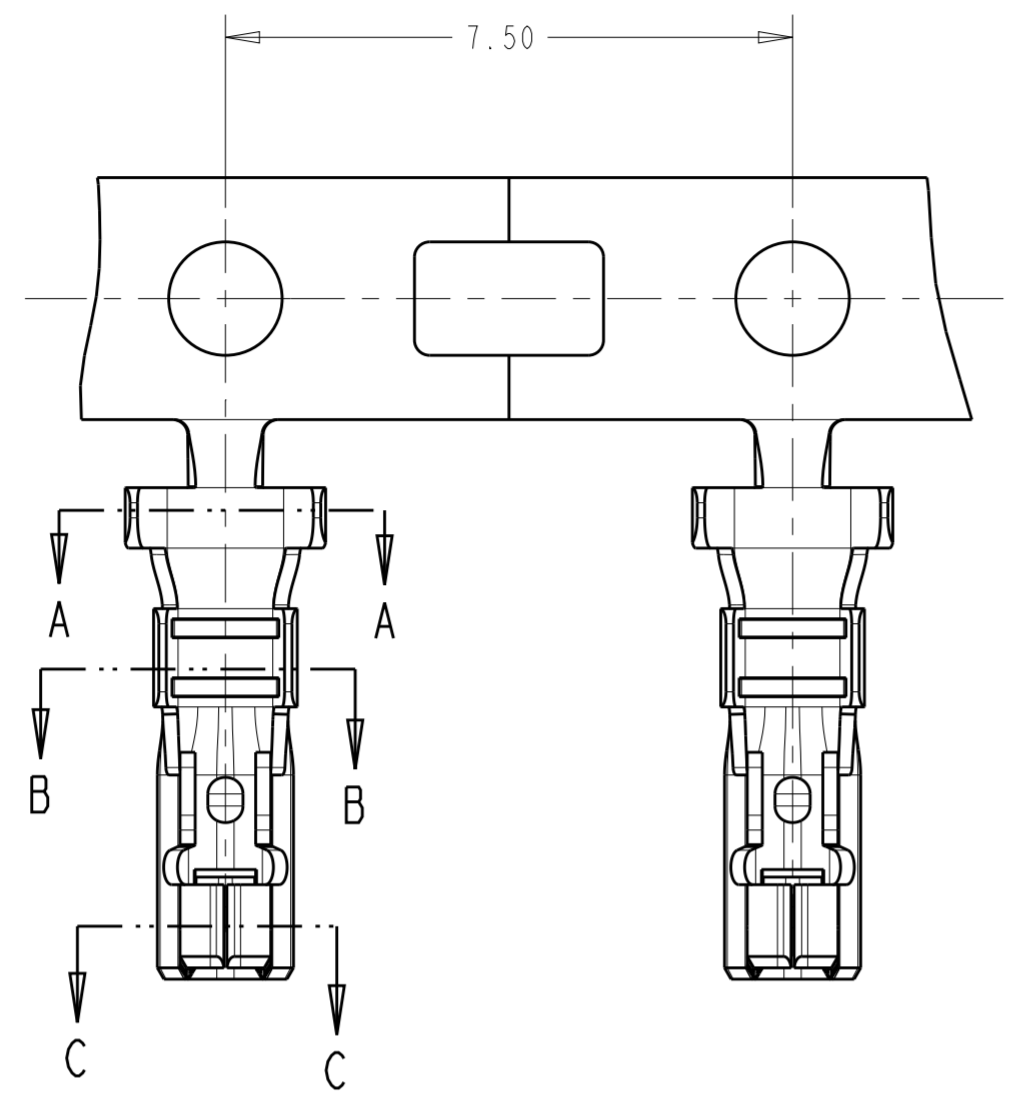
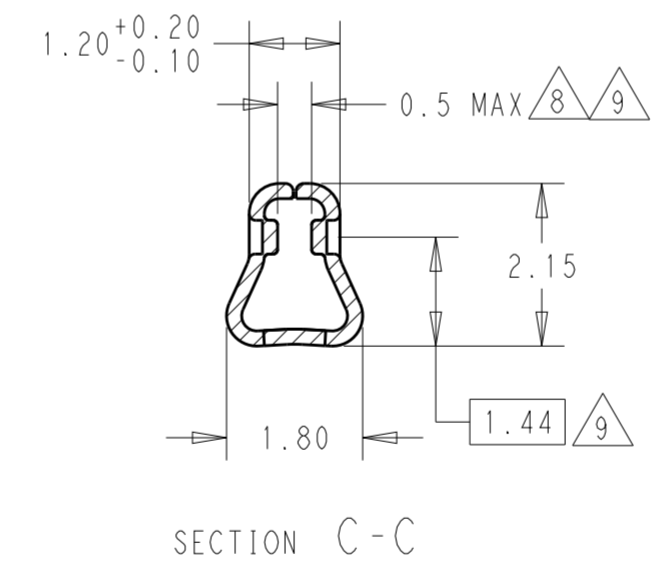
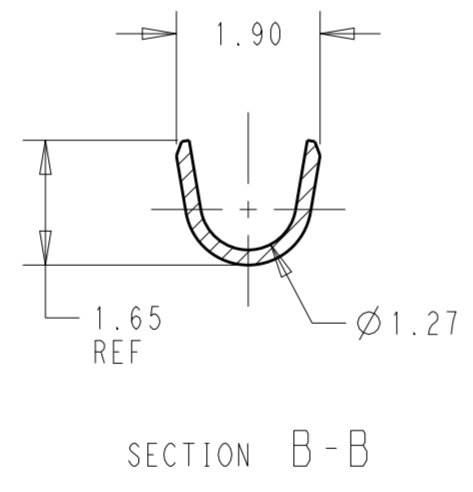
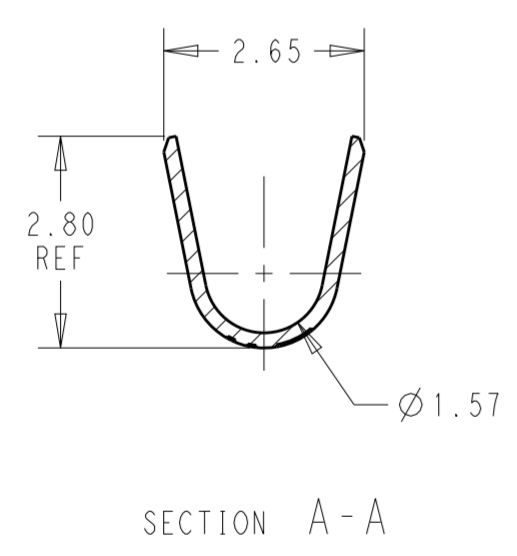


THIS DRAWING IS UNPUBLISHED. RELEASED FOR PUBLICATION 2015
 © COPYRIGHT 2015 BY - ALL RIGHTS RESERVED.

REVISIONS				
P	LTR	DESCRIPTION	DATE	APVD
B		REVISED PER ECR-19-013267	08JAN2020	WH DZ



- 1 MATERIAL: PHOSPHOR BRONZE.
- 2 FINISH: PRE-TIN.
- 3 DESIGNED FOR USE IN HOUSINGS []-1969442-[[OR []-1744417-[].
- 4 CONTACTS COATED WITH ANTI-FRETTING LUBRICANT.
- 5 CONTACT IS RoHS COMPLIANT.
- 6 WIRE RANGE: 0.13~0.36mm² [26-22 AWG] STRANDED.
- 7. INSULATION RANGE: 1.30~1.91
- 8 AFTER CRIMP DIMENSION
- 9 MEASURE LOCATION FOR 0.50mm MAX DIMENSION



2232905-1
PART NUMBER

THIS DRAWING IS A CONTROLLED DOCUMENT.		DWN QITO CHEN 25 JUN 2015	TE Connectivity	
DIMENSIONS: mm		CHK DANIEL 26 JUN 2015		
TOLERANCES UNLESS OTHERWISE SPECIFIED:		APVD DANIEL 26 JUN 2015	NAME LOW INSERTION FORCE CONTACT EP 2.5, RECEPTACLE	
0 PLC ± 1 PLC ±0.4 2 PLC ±0.30 3 PLC ± 4 PLC ± ANGLES ±1° FINISH		PRODUCT SPEC 108-2418	SIZE A2	CAGE CODE 00779
MATERIAL 1 - 2		APPLICATION SPEC 114-13315	DRAWING NO C-2232905	RESTRICTED TO -
		WEIGHT -	SCALE N/A	SHEET 1 OF 1
		Customer Drawing	REV B	