

T3C

FEATURES

- ※ Compact-size 3.0*2.0mm
- ※ Low profile with 0.60mm
- ※ Long operation cycles

APPLICATION

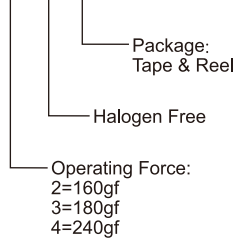
- ※ Smart phone
- ※ Digital camera, Medical
- ※ Portable electronic device
- ※ 3C products

SPECIFICATION

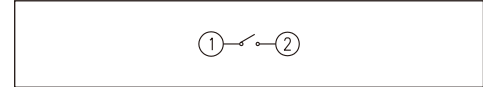
Contact Rating	10uA, 1V DC to 50mA, 12V DC
Contact Resistance	500mΩ max.
Insulation Resistance	100MΩ min. 100V DC
Dielectric Strength	100V AC/1 minute
Operating Force	160±50gf / 180±50gf / 240±60gf
Travel	0.13mm
Operating Life	300,000 cycles
Operating Temp.	-40°C ~ +85°C
Storage Temp.	-40°C ~ +85°C

HOW TO ORDER

T 3 C □ Q R



CIRCUIT

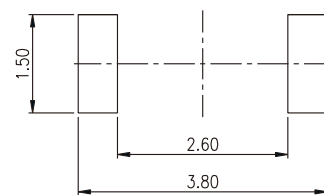
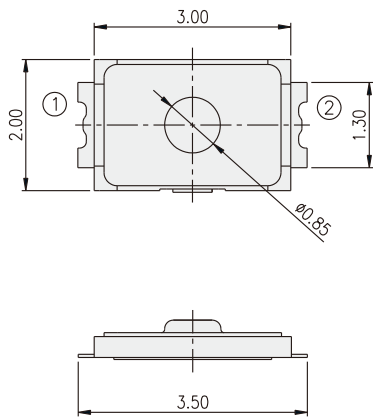


PACKAGE

<Tape & Reel>
8000 pcs

TACT SWITCH

T3C



P.C.B. LAYOUT