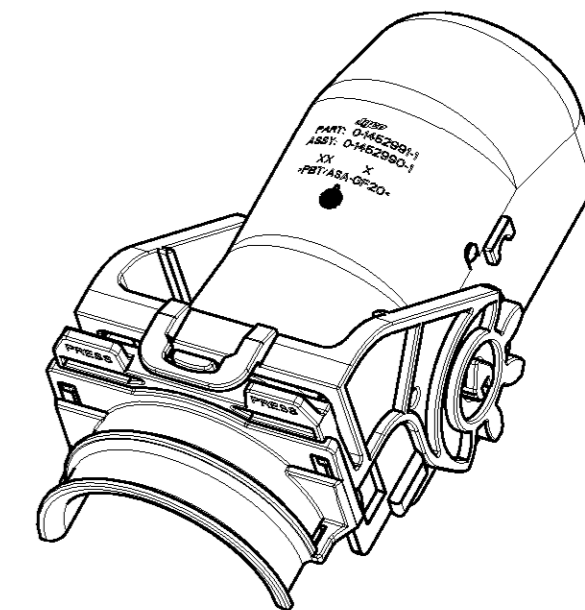
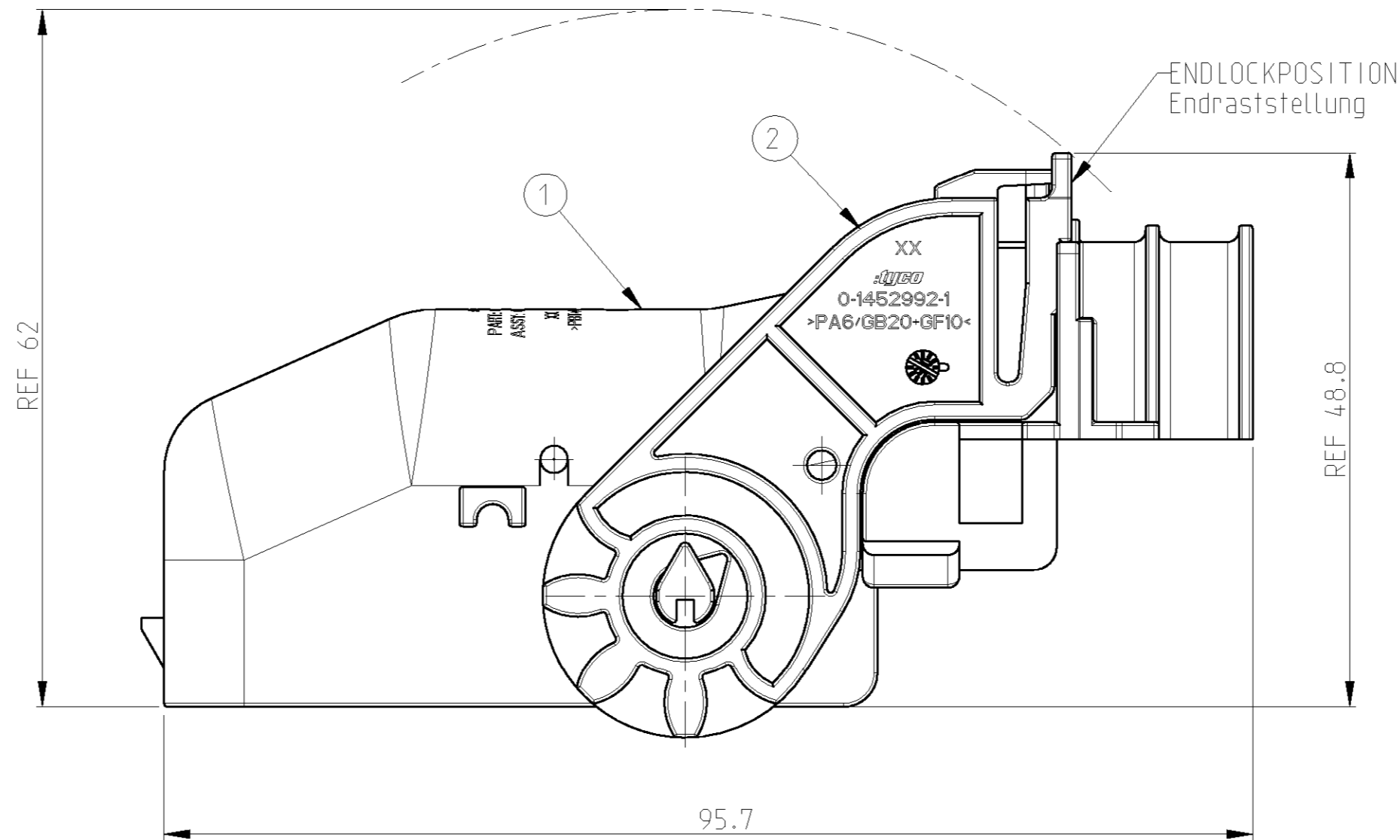
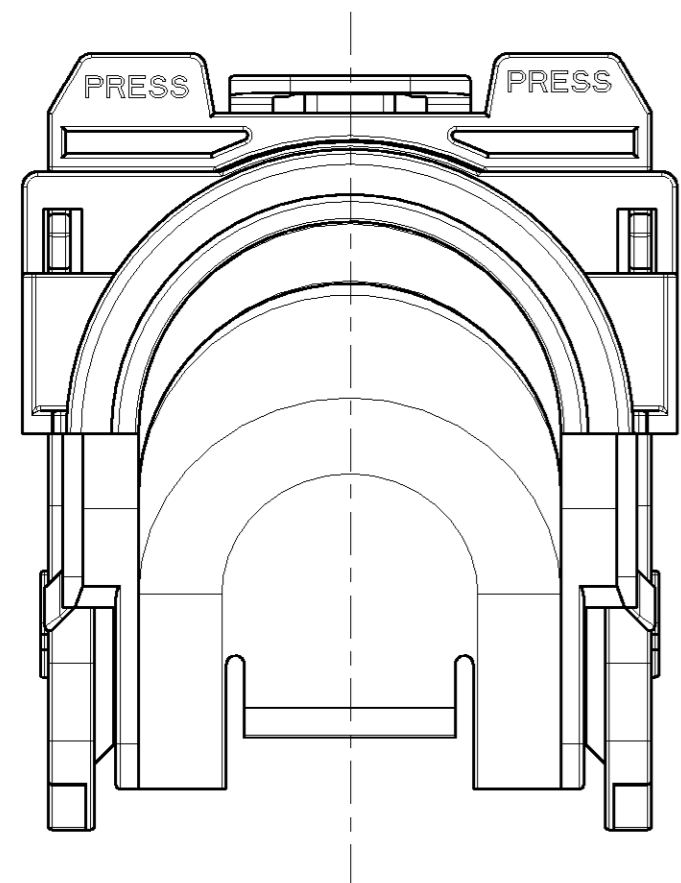
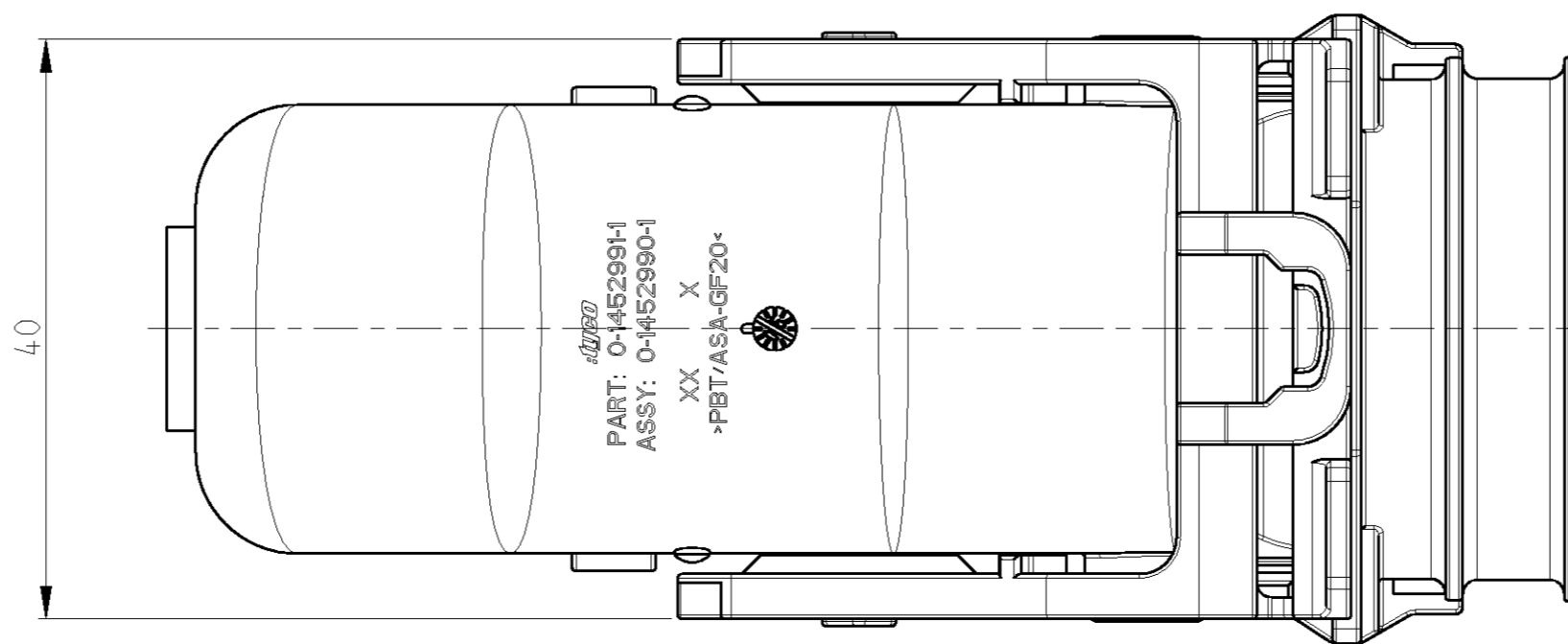


THIS DRAWING IS UNPUBLISHED. RELEASED FOR PUBLICATION 2003
 © COPYRIGHT 2003 BY TYCO ELECTRONICS CORPORATION. ALL RIGHTS RESERVED.

LOC	DIST	REVISIONS					
		P	LTR	DESCRIPTION	DATE	DWN	APVD
A1	-	A		EGA0-0388-05	30MAR2005	GP	GM
		A1		ECR-05-003941	03JUN2005	GP	GM
		B		ECR-06-009452	19APR2006	GP	GM



1:1



NOTES:
 Bemerkungen:
 ASSY DELIVERED WITH LEVER IN ENDLOCKPOSITION
 Anlieferungszustand: Hebel in Endraststellung

MATED WITH verwendet mit	1452931 1452995	DESCRIPTION	MATERIAL	COLOUR	ITEM NO
1x	36/76POS. LEVER	PA6/GB20+GF10	RED	2	
1x	76POS. COVER	PBT/ASA-GF20	BLACK	1	
0-1452990-1	DESCRIPTION	MATERIAL	COLOUR	ITEM NO	
27.00					
QTY REQD PER ASSY					

THIS DRAWING IS A CONTROLLED DOCUMENT FOR TYCO ELECTRONICS CORPORATION IT IS SUBJECT TO CHANGE AND THE CONTROLLING ENGINEERING ORGANIZATION SHOULD BE CONTACTED FOR THE LATEST REVISION.		DWN G.PUCKEL 30MAR2005 CHK K.ROTH 30MAR2005 APVD G.MUMFEE 30MAR2005	tyco Electronics tyco Electronics AMP GmbH D - 64625 Bensheim
DIMENSIONS: mm 		PRODUCT SPEC APPLICATION SPEC WEIGHT	NAME 76 POS. COVER ASSEMBLY SIZE A2 CAGE CODE - DRAWING NO 1452990 RESTRICTED TO -
TOLERANCES UNLESS OTHERWISE SPECIFIED: 0 PLC ±0.5 1 PLC ±0.5 2 PLC ±0.5 3 PLC ± 4 PLC ± ANGLES ±° FINISH		CUSTOMER DRAWING SCALE 2:1 SHEET 1 OF 1 REV B	