

MINI RF SWITCH CONNECTOR II

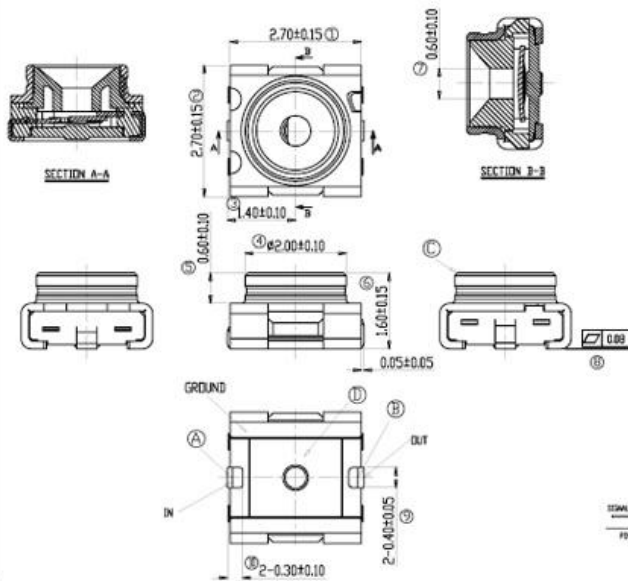
微型带开关射频连接器 II



技术参数 Technology Parameters

- Frequency Range 频率范围: 0 - 6GHz
- Impedance 特性阻抗: 50 Ω
- Insulation Resistance 绝缘电阻: 500 MΩ Min
- Dielectric Withstanding Voltage 耐压: 300V AC/1 Min
- Contact Resistance 接触电阻: 120 mΩ Max
- Voltage Standing wave Ratio(VSWR) 电压驻波比: 1.2 Max(3 - 6GHz 1.3 Max)
- Isolation 隔离度: 20dB Min(3 - 6GHz 15dB Min)
- Insertion Loss 插入损耗: 0.10dB Max(3 - 6GHz 0.2dB Max)
- Mechanical Durability 机械寿命: 500 Cycles
- Operating Temperature 工作温度: -40℃ - +85℃

Appearance Dimensions 外形尺寸:



PCB Layout 印制板焊盘:

