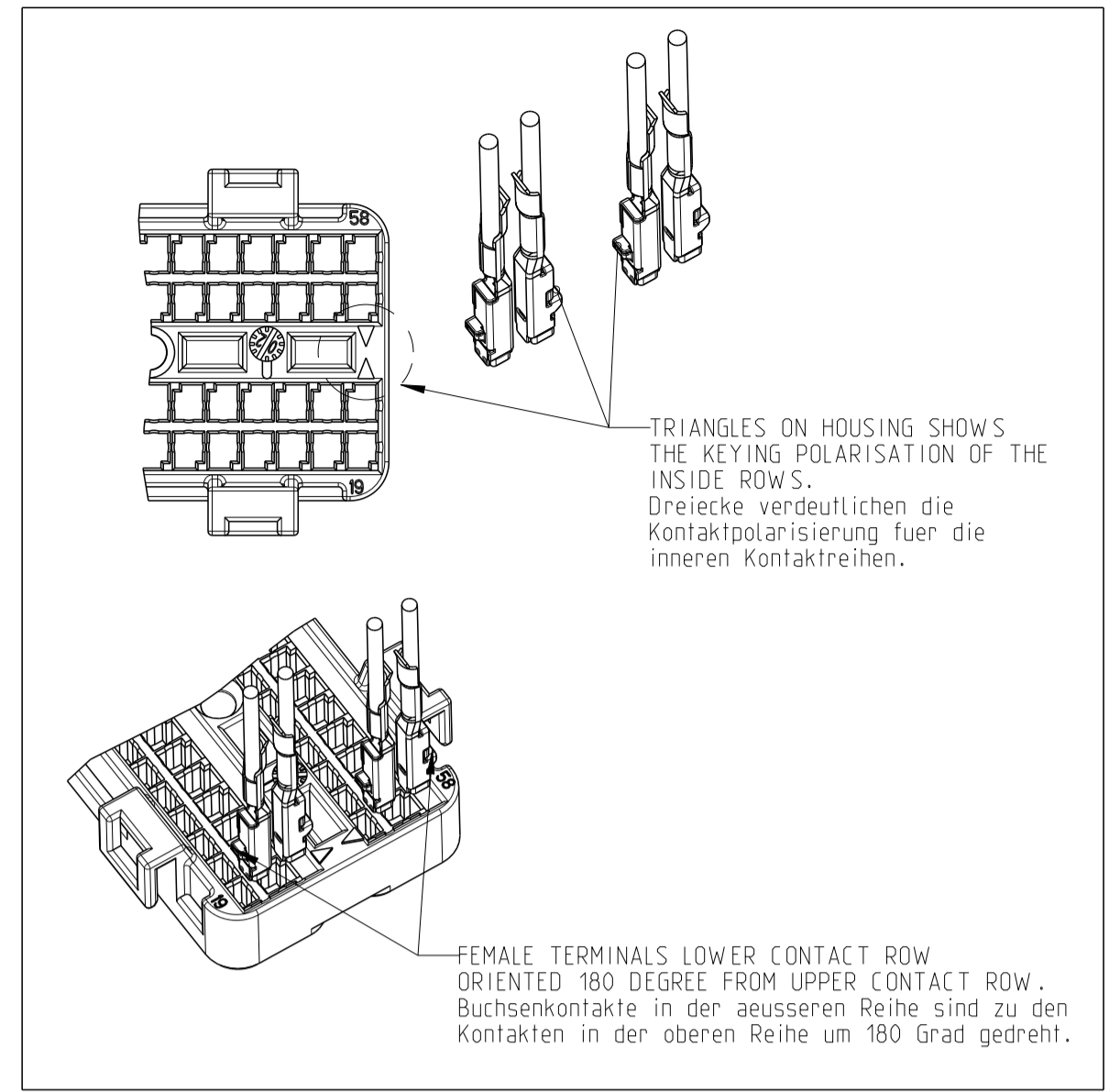
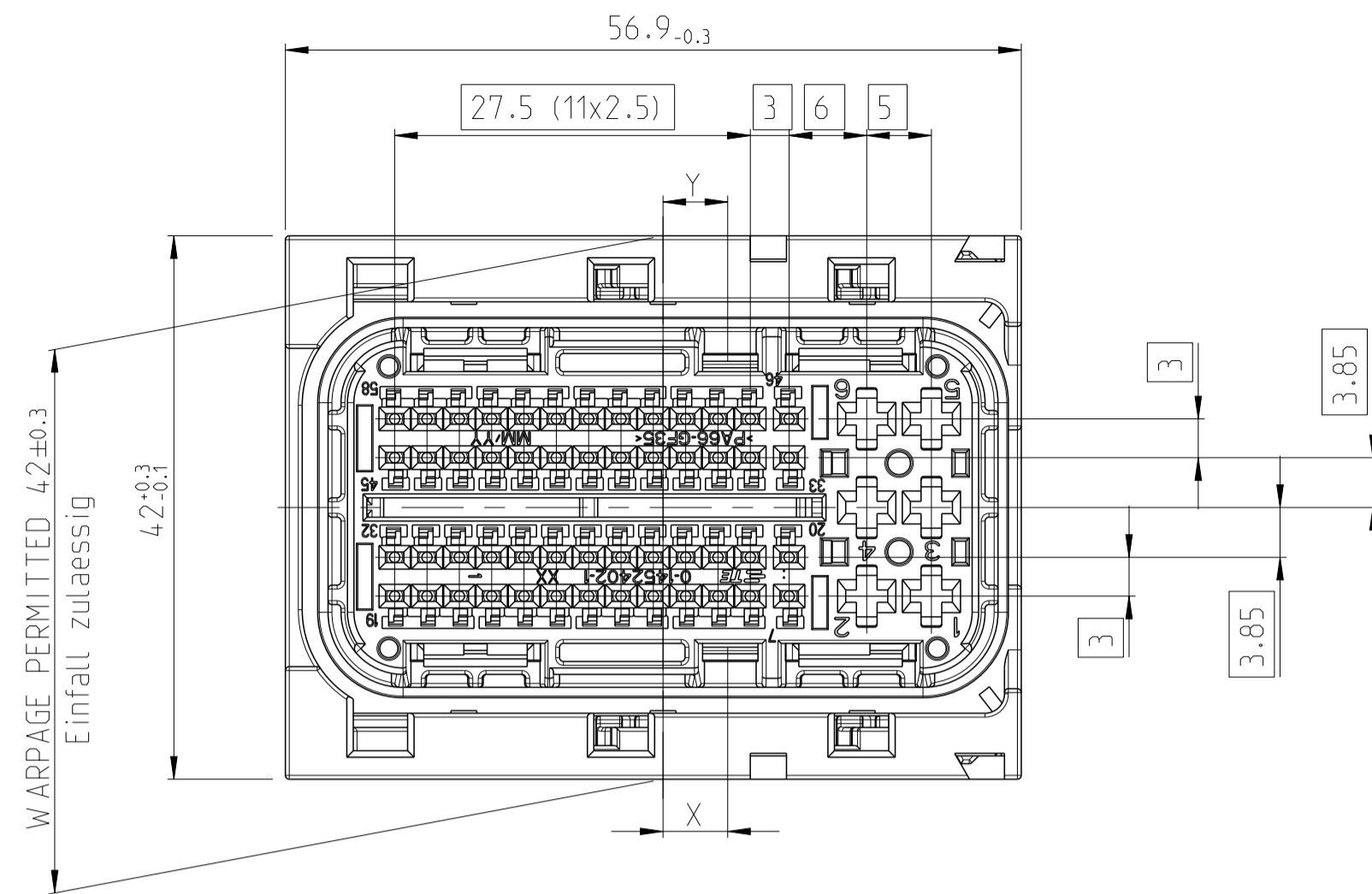


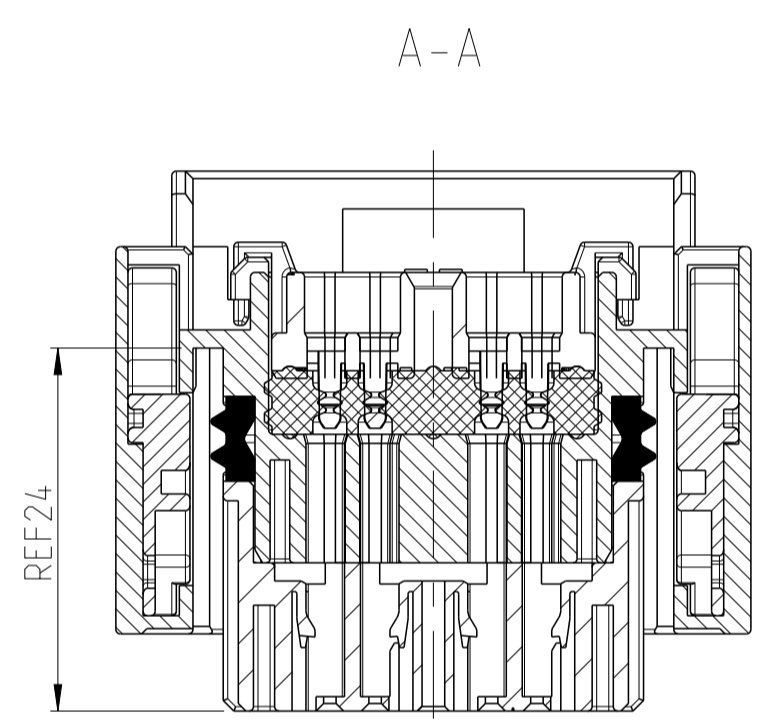
UP TO
0.75 mm²
WIRE SIZE

-	-	-
A	5.2	5.2
CODING	X	Y

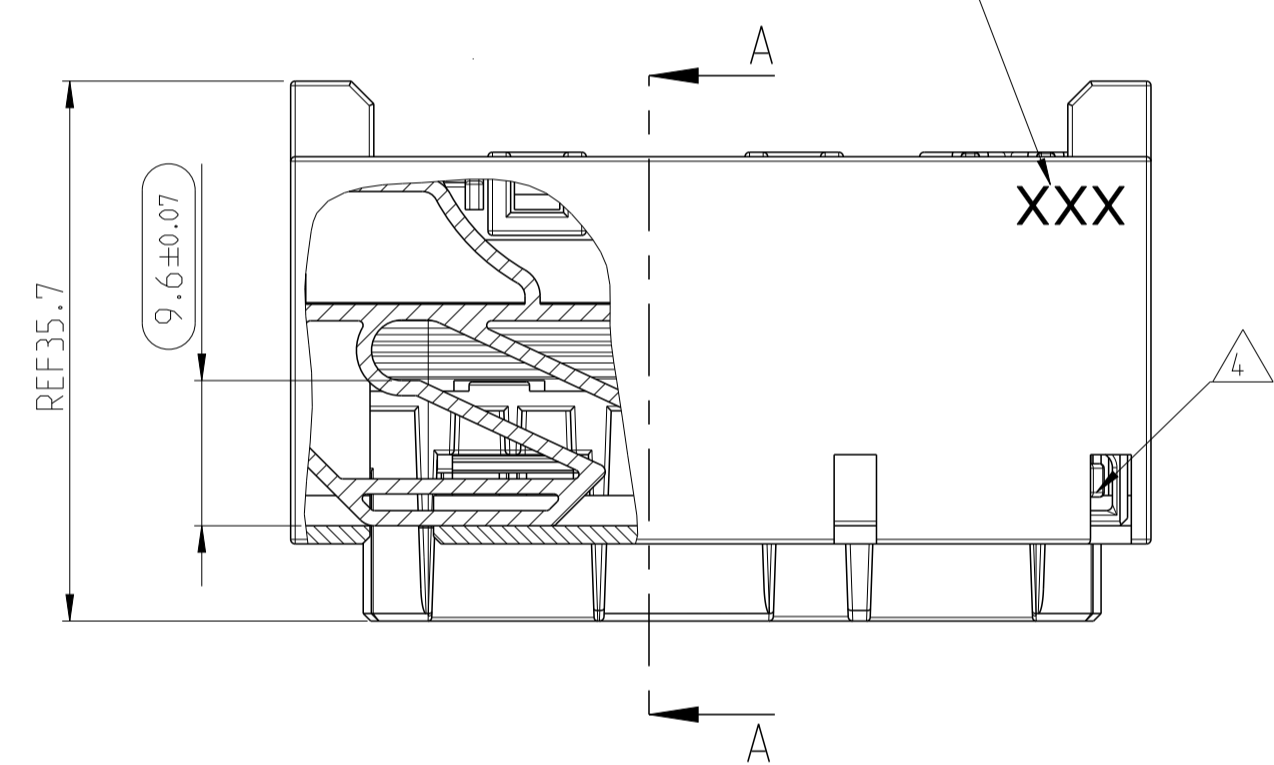


LOC		DIST		REVISIONS			
A1		-		DESCRIPTION	DATE	OWN	APVD
H	ECR-11-006017				17JAN2012	PT	GM
H1	ECR-12-005745				28MAR2012	SH	GM
H2	ECR-14-015052				09OCT2014	SS	GM
H3	ECR-17-008357				14JUNE2017	KC	PT

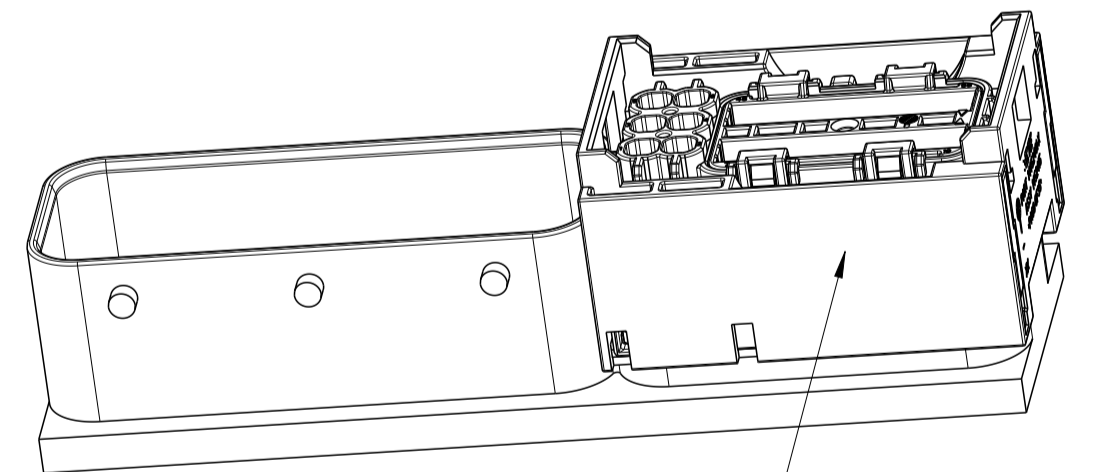
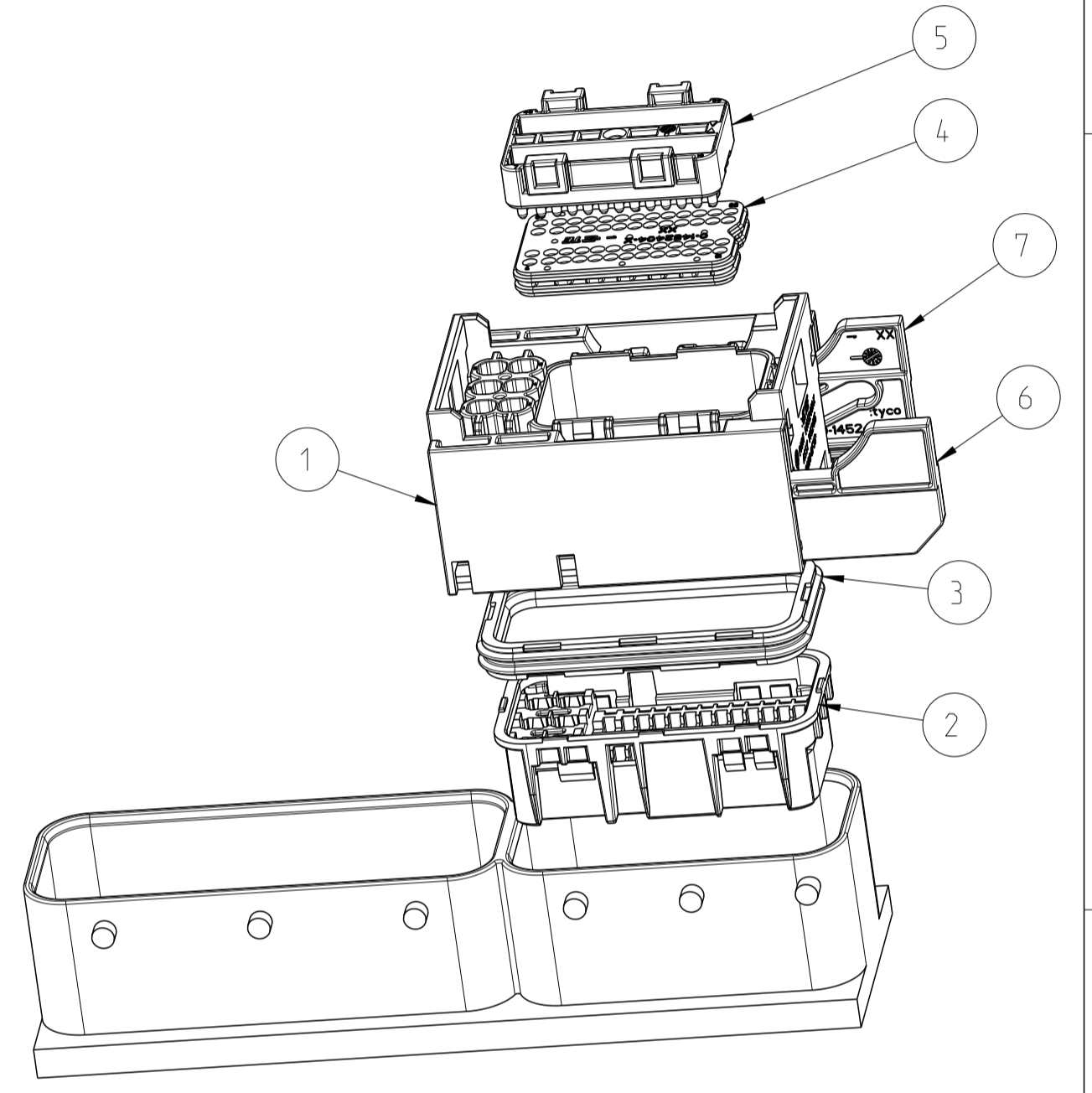
1x	PA66-GF25	58 POS. CON. SLIDE RIGHT	BLACK	7	
1x	PA66-GF25	58 POS. CON. SLIDE LEFT	BLACK	6	
1x	PBT-GF20	58 POS. CON. COVER FOR FAMILY SEAL	BLACK	5	
1x	SILICONE	58 POS. CON. FAMILY SEAL	WHITE	4	
1x	SILICONE	58 POS. CON. PERIPHERAL SEAL	WHITE	3	
1x	PA66-GF35	58 POS. CON. CONTACT HOUSING	BLACK	2	
1x	PA66-GF35	58 POS. CON. FEMALE HOUSING	BLACK	1	
X-1452415-X	ASSY NO	MATERIAL	DESCRIPTION	COLOUR	ITEM NO
-	-	-	WEIGHT OF EACH ASSY NO [g]	-	-
QTY REQD PER ASSY	PARTS LIST				



MARKING FOR PINOUT CONFIGURATION
SEE TABLE SHEET 2
Markierung fuer Pinoutkonfiguration
siehe Tabelle Blatt 2

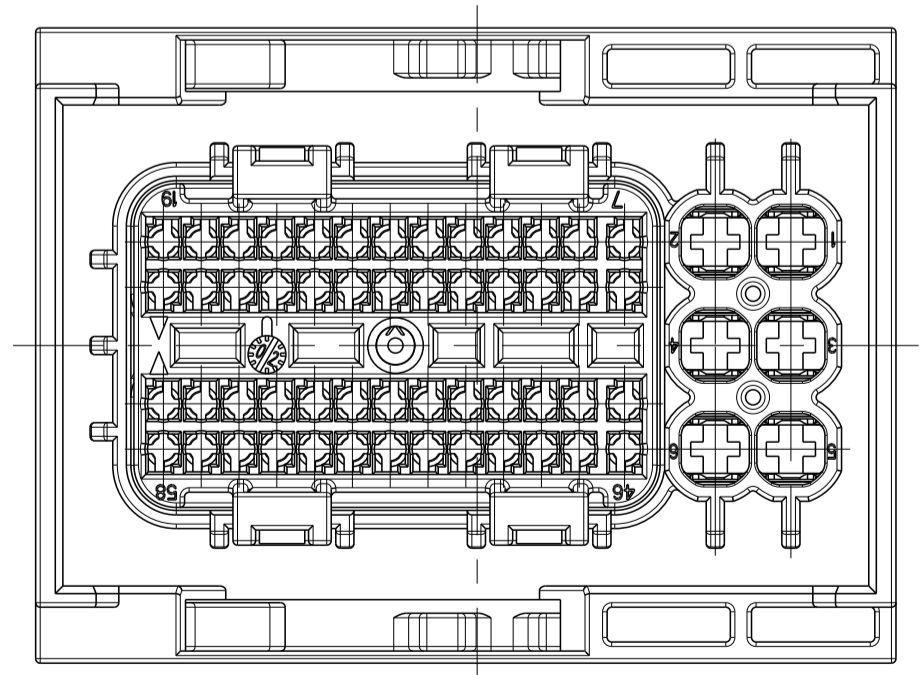


- NOTES:
Bemerkungen
- ASSY. USED WITH PARTS:
ASSY. verwendet mit folgenden Teilen:
HEADER BOSCH: PN: 000 20633 614
HEADER TE: PN 0-1565428-1
 - MATED WITH:
Passend zu:
- | | |
|----------------------|-----------------|
| COVER | PN: 0-1452416-1 |
| COVER | PN: 0-1452421-1 |
| 2-NDRY LOCK | PN: 0-1452408-1 |
| 2-NDRY LOCK | PN: 0-1452409-1 |
| Kappe | PN: 0-1452416-1 |
| Kappe | PN: 0-1452421-1 |
| 2te Kontaktsicherung | PN: 0-1452408-1 |
| 2te Kontaktsicherung | PN: 0-1452409-1 |
- SEALING FUNCTION REQUIRES ONLY FOLLOWING WIRE SIZE DIAMETERS FOR THE SIGNAL TERMINALS:
Zur Sicherung der Dichtigkeit duerfen nur folgende Drahtquerschnitte bei den Signalkontakten verwendet werden
- a) 0.5mm² - 0.75mm² = ISO Ø 1.4-1.9 mm
FOR ALL WITH X MARKED CAVITIES, SEE PINOUT CONFIGURATION TABLE
Fuer alle mit X markierten Felder in der Pinbelegungstabelle
- b) 1.0mm² - 1.5mm² = ISO Ø 1.9-2.4mm
FOR ALL WITH NUMBERED CAVITIES, SEE PINOUT CONFIGURATION TABLE
Fuer alle nummerierten Felder in der Pinbelegungstabelle



* 1394897 WILL BE REPLACED DURING NEXT YEAR BY 1670144
* 1394897 wird innerhalb eines Jahres ersetzt durch 1670144

0-1452503-3		1.0 - 1.5		
0-1670144-3 *	SILVER PLATED	0.5 - 0.75		
0-1534594-3		0.25 - 0.35		
0-1452503-2		1.0 - 1.5		
0-1670144-2 *	GOLD PLATED	0.5 - 0.75		
0-1534594-2		0.25 - 0.35		
0-1452503-1		1.0 - 1.5		
0-1670144-1 *	PRE-TIN	0.5 - 0.75		
0-1534594-1		0.25 - 0.35		
1-968857-1		>1.0 - 2.5	0-828905-1 (FOR ISOØ 2.2-3.0)	
1-968855-1	PRE-TIN	0.5 - 1.0	0-828904-1 (FOR ISOØ 1.2-2.1)	
1-968882-1		0.35	0-828904-1 (FOR ISOØ 1.2-2.1)	
1-968857-3		>1.0 - 2.5	0-828905-1 (FOR ISOØ 2.2-3.0)	
1-968855-3	SILVER PLATED	0.5 - 1.0	0-828904-1 (FOR ISOØ 1.2-2.1)	
1-968882-3		0.35	0-828904-1 (FOR ISOØ 1.2-2.1)	
TERMINALS TE PN TE Kontakte PN	FINISH Oberflaeche	WIRE SIZE (mm ²) Drahtquerschnitt (mm ²)	SINGLE WIRE SEAL Einzelleiterdichtung	NOTES Bemerkungen



PINOUT CONFIGURATIONS FOR MARKINGS HIGHER THAN 100 SEE DRAWING 2112778
Pinoutkonfigurationen fuer Markierungen hoeher als 100 siehe Zeichnung 2112778

THIS DRAWING IS A CONTROLLED DOCUMENT.		OWN K.ROTH	22MAY2002		TE Connectivity	
DIMENSIONS: mm		CHK S.DENTER	22MAY2002		NAME 58POS. MIXED RECEPTACLE HOUSING ASSEMBLY	
TOLERANCES UNLESS OTHERWISE SPECIFIED:		APVD E.MUMMER	23MAY2002	SIZE 108-18965		
0 PLC # # # #		PRODUCT SPEC		APPLICATION SPEC		
1 PLC # # # #		114-18534-1		WEIGHT		
2 PLC # # # #		114-18534-1		CUSTOMER DRAWING		
3 PLC # # # #		114-18534-1		SCALE 2:1		
4 PLC # # # #		114-18534-1		SHEET 1 OF 2		
ANGLES # # # #		114-18534-1		REV H3		

Table with columns: LOC, DIST, REVISIONS, P, LTH, DESCRIPTION, DATE, DWN, APVD. Row 1: A1, -, SEE SHEET 1, -, -, -

Main data table with columns 1-58 and rows for various models like GS41, X250, D3 MARINE EVC EC, etc. Each cell contains a letter (H, A) or 'X' indicating terminal status.

NOTES section with columns: MARKING FOR PINOUT-CONFIGURATION, TE-PN, REV. Includes text: 'BLANKED CAVITIES INDICATE CLOSED LOCATIONS', 'NUMBERED CAVITIES INDICATE OPEN LOCATIONS FOR TERMINALS WITH WIRE SIZE > 0.75mm2', etc.

Technical drawing footer containing: DIMENSIONS (mm), TOLERANCES UNLESS OTHERWISE SPECIFIED, MATERIAL, FINISH, THIS DRAWING IS A CONTROLLED DOCUMENT, and a detailed table with fields like DWG, CHK, APVD, PRODUCT SPEC, APPLICATION SPEC, WEIGHT, and SCALE.