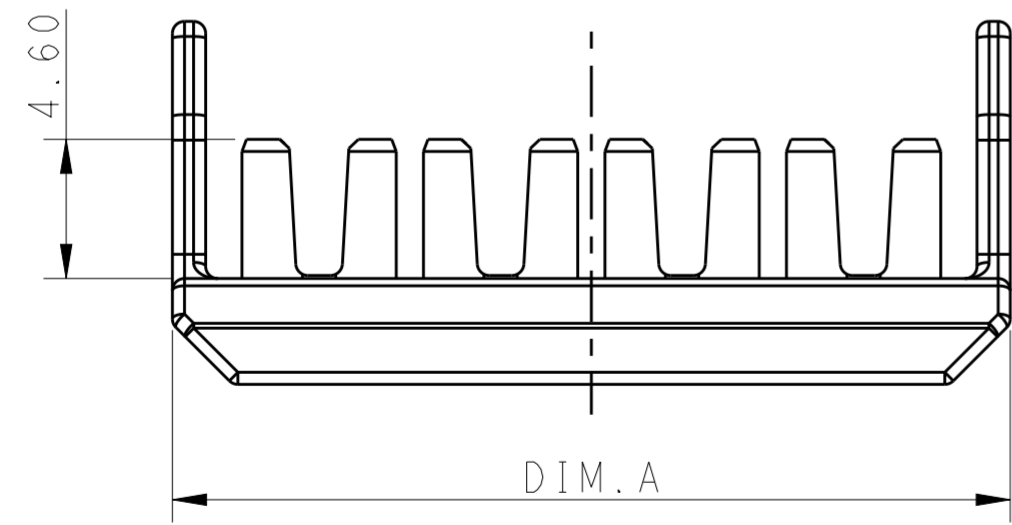
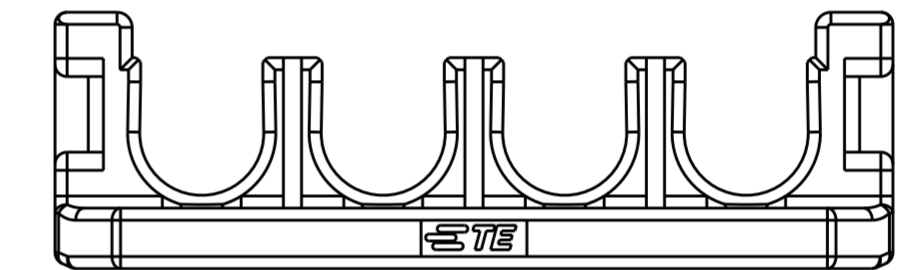
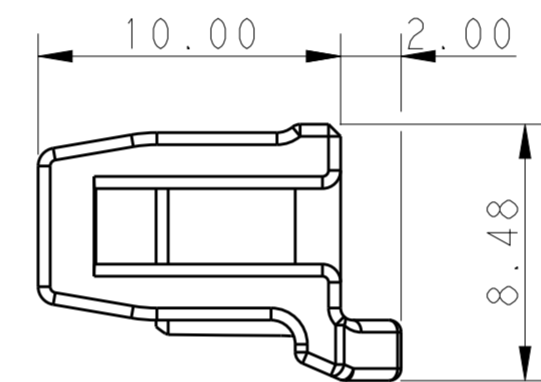
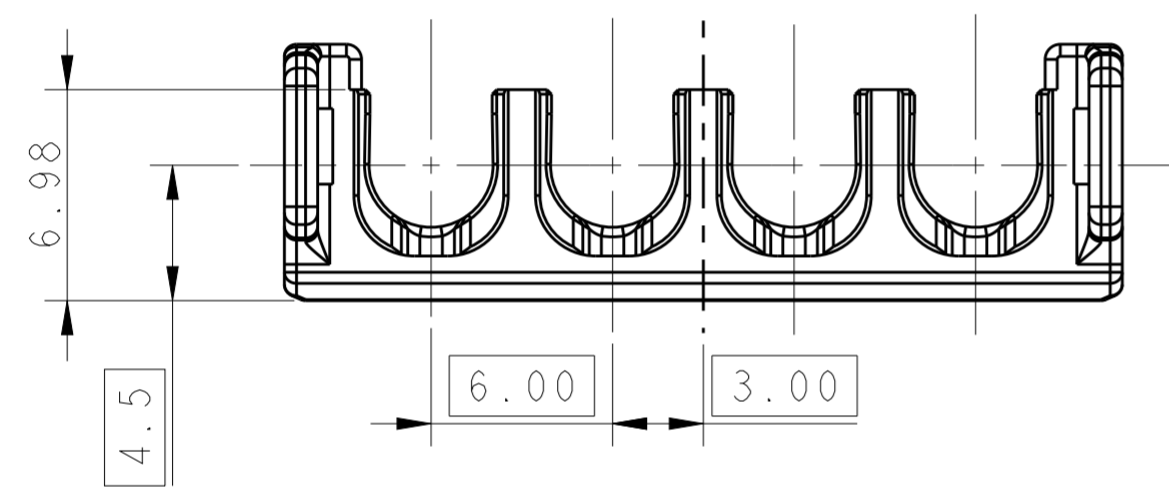
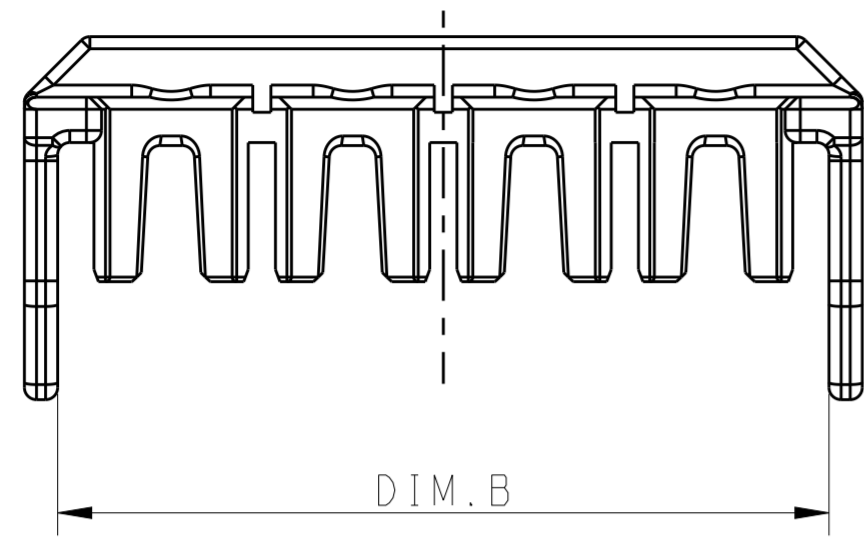


THIS DRAWING IS UNPUBLISHED. RELEASED FOR PUBLICATION 20
 © COPYRIGHT 20 BY - ALL RIGHTS RESERVED.

LOC		DIST		REVISIONS			
P	LTR	DESCRIPTION	DATE	DWN	APVD		
	B1	REVISED PER ECR-18-004190	26MAR2018	BW	GJ		
	B2	REVISED PER ECR-18-019428	27DEC2018	BKW	GJ		
	C	REVISED PER ECR-19-012412	13SEP2019	BKW	DS		



POS.	DIM.A	DIM.B
1*5	33.70	31.5
1*4	27.70	25.5
1*3	21.70	19.5
1*2	15.70	13.5

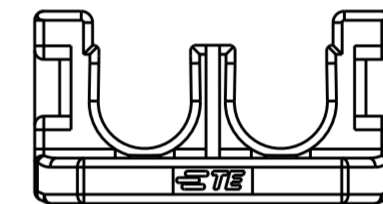
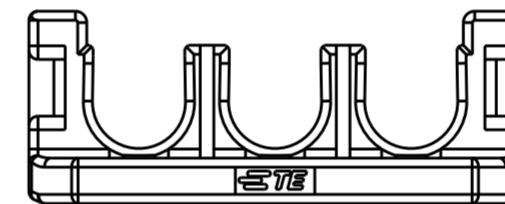
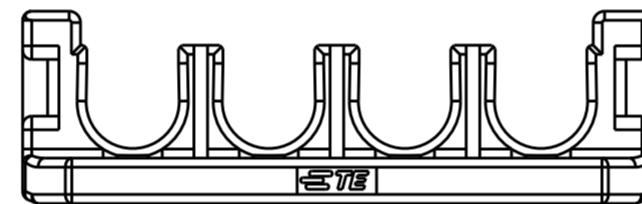
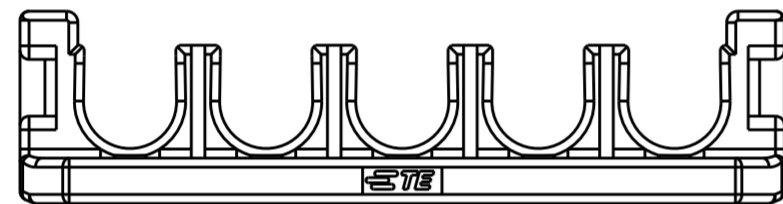
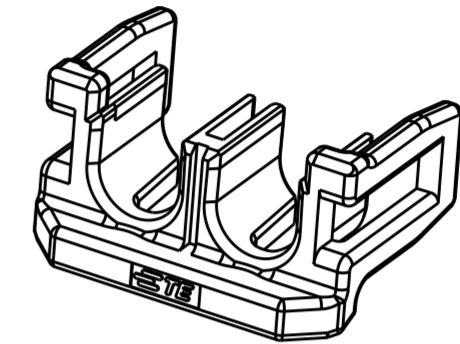
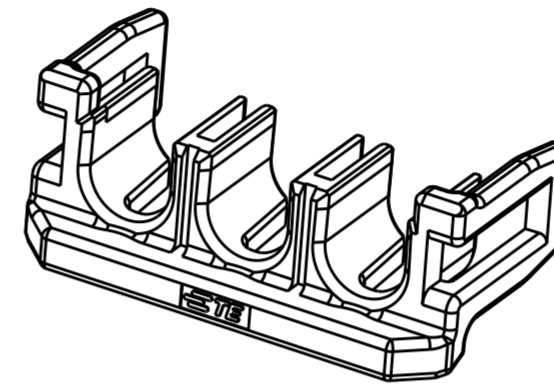
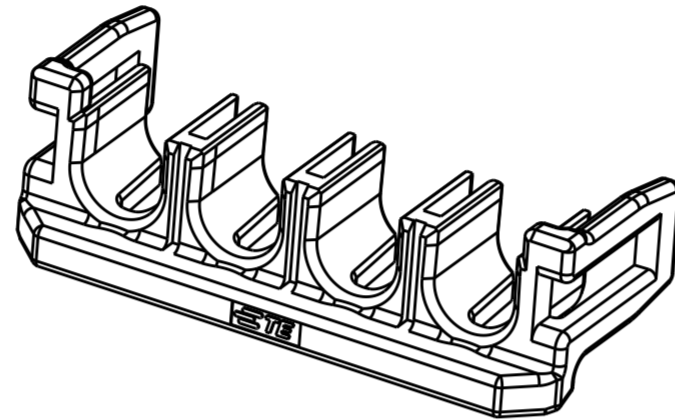
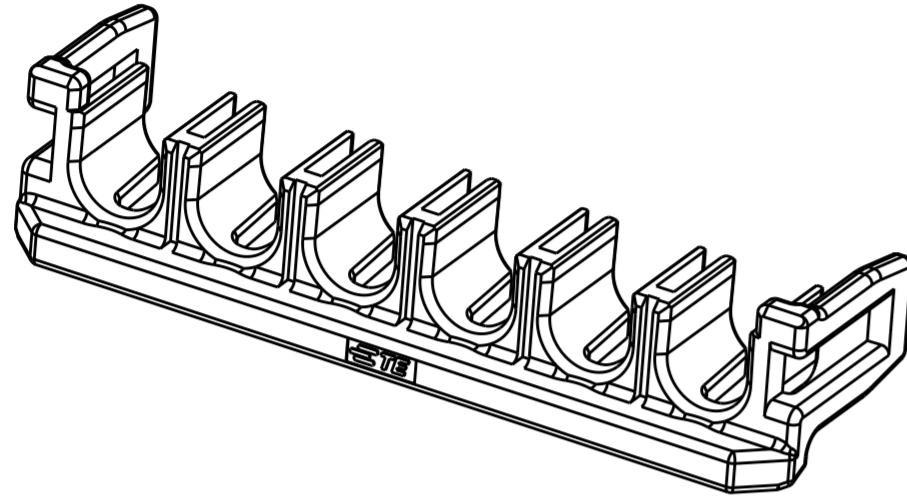
NOTE

- ① HIGH TEMP VERSIONS ARE RATED 150°C MAX AND ARE RECOMMENDED FOR USE WITH HIGH TEMP AND GLOW WIRE RATED HOUSINGS.
- ② HOT WIRE IGNITION(HWI) VERSIONS ARE MOLDED IN A RESIN THAT COMPLIES WITH TE PENDING HOT WIRE IGNITION TEST AND ARE RECOMMENDED FOR USE WITH HWI HOUSINGS THAT ALSO COMPLY.
- ③ STANDARD TEMPERATURE VERSIONS, RATED 140°C MAX ARE RECOMMENDED FOR USE WITH STANDARD TEMP AND GLOW WIRE RATED HOUSINGS.
- 4. MATING CONN, P/N
 CAP HSG: *-1971*7*-*/*-22322***-*/*-22323***-
 PLUG HSG: *-1971*7*-*/*-22322***-*/*-22323***-*
- 5. FLAMMABILITY RATING: UL94V-0
- ⑥ PRELIMINARY - NOT RELEASED FOR PRODUCTION
- 7. THIS PRODUCT HAS NOT PASSED VALIDATION TESTING

THIS DRAWING IS A CONTROLLED DOCUMENT.		DWN TOMMY WU 09JUL2012	STC TE Connectivity	
DIMENSIONS: mm		CHK HAPYE WU 09JUL2012		
TOLERANCES UNLESS OTHERWISE SPECIFIED:		APVD YUHONG MAO 09JUL2012	NAME TPA, SINGLE ROW POWER TRIPLE LOCK	
0 PLC ±		PRODUCT SPEC 108-106118	SIZE CAGE CODE DRAWING NO RESTRICTED TO	
1 PLC ±0.35		APPLICATION SPEC 114-106118	A200779 C-1971777	
2 PLC ±0.25		WEIGHT -	SCALE - SHEET 1 OF 2 REV C	
3 PLC ±		MATERIAL SEE TABLE	Customer Drawing	
4 PLC ±				
ANGLES ±				
FINISH				

THIS DRAWING IS UNPUBLISHED. RELEASED FOR PUBLICATION 20
 © COPYRIGHT 20 BY - ALL RIGHTS RESERVED.

LOC		DIST		REVISIONS			
P	LTR	DESCRIPTION		DATE	DWN	APVD	
-	-	SEE SHEET 1		-	-	-	



1*5 POSITIONS

1*4 POSITIONS

1*3 POSITIONS

1*2 POSITIONS

COLOR	MATERIAL	TYPE	POSITIONS	P/N
RED	PBT GF	STANDARD TEMP Δ_3	1*5	Δ_6 4-1971777-5
			1*4	Δ_6 4-1971777-4
			1*3	Δ_6 4-1971777-3
			1*2	Δ_6 4-1971777-2
BLACK	PBT GF	HWI Δ_2	1*2	3-1971777-2
			1*5	2-1971777-5
			1*4	2-1971777-4
			1*3	2-1971777-3
NATURAL	PBT GF	HWI Δ_2	1*2	2-1971777-2
			1*5	1971777-5
			1*4	1971777-4
			1*3	1971777-3
BLACK	NYLON PA66	HIGH TEMP Δ_1	1*2	1971777-2
			1*4	1971777-4
			1*3	1971777-3

THIS DRAWING IS A CONTROLLED DOCUMENT.		DWN TOMMY WU 09 JUL 2012	TE Connectivity															
DIMENSIONS: mm		CHK HAPYE WU 09 JUL 2012																
TOLERANCES UNLESS OTHERWISE SPECIFIED:		APVD YUJHONG MAO 09 JUL 2012	NAME TPA, SINGLE ROW POWER TRIPLE LOCK															
<table border="0"> <tr> <td>0 PLC</td><td>±</td></tr> <tr> <td>1 PLC</td><td>±0.35</td></tr> <tr> <td>2 PLC</td><td>±0.25</td></tr> <tr> <td>3 PLC</td><td>±</td></tr> <tr> <td>4 PLC</td><td>±</td></tr> <tr> <td>ANGLES</td><td>±</td></tr> <tr> <td>FINISH</td><td>±</td></tr> </table>		0 PLC	±	1 PLC	±0.35	2 PLC	±0.25	3 PLC	±	4 PLC	±	ANGLES	±	FINISH	±	PRODUCT SPEC 108-106118	SIZE A200779	
0 PLC	±																	
1 PLC	±0.35																	
2 PLC	±0.25																	
3 PLC	±																	
4 PLC	±																	
ANGLES	±																	
FINISH	±																	
MATERIAL SEE TABLE		APPLICATION SPEC 114-106118	DRAWING NO C-1971777															
		WEIGHT -	RESTRICTED TO -															
		Customer Drawing	SCALE -	SHEET 2 OF 2														