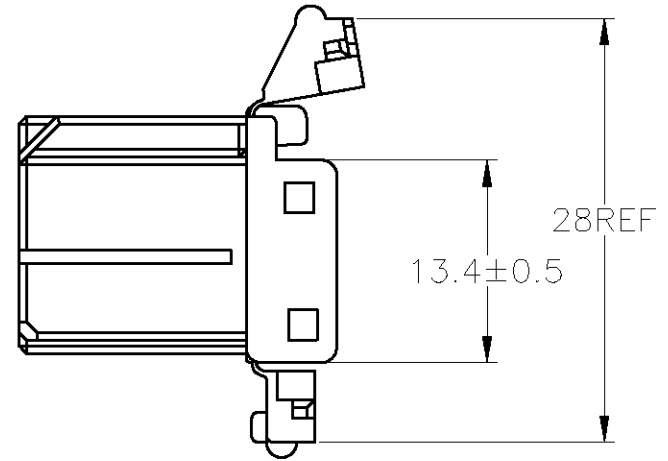
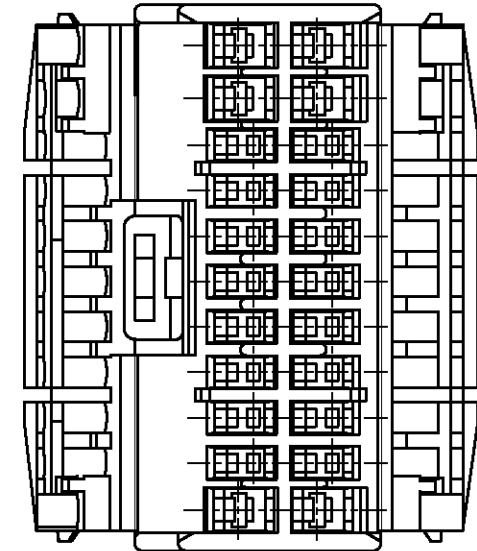
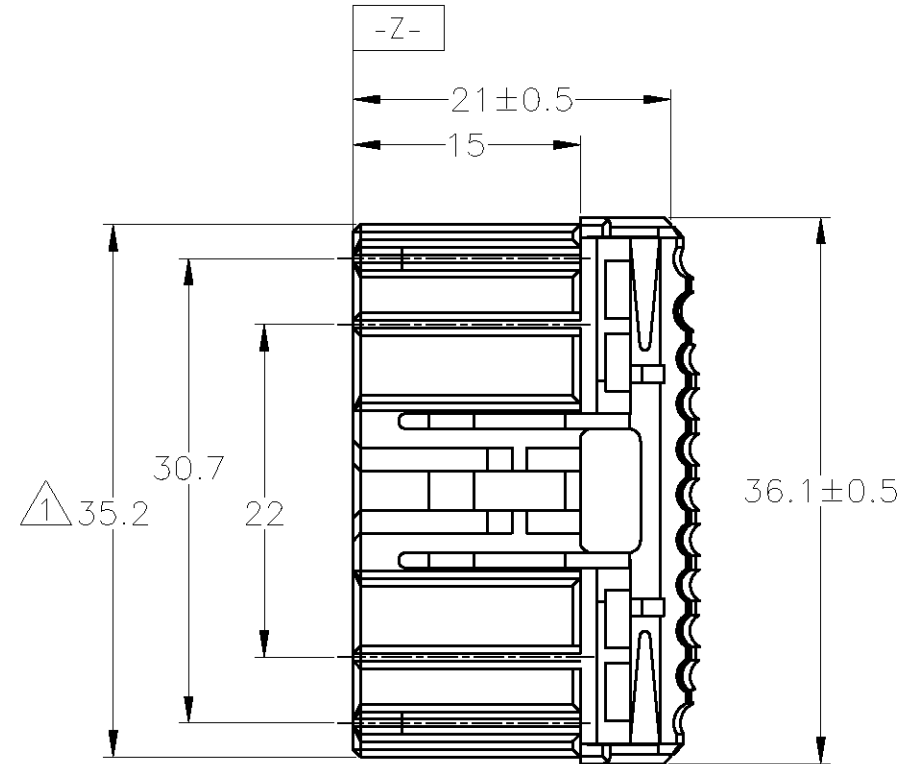
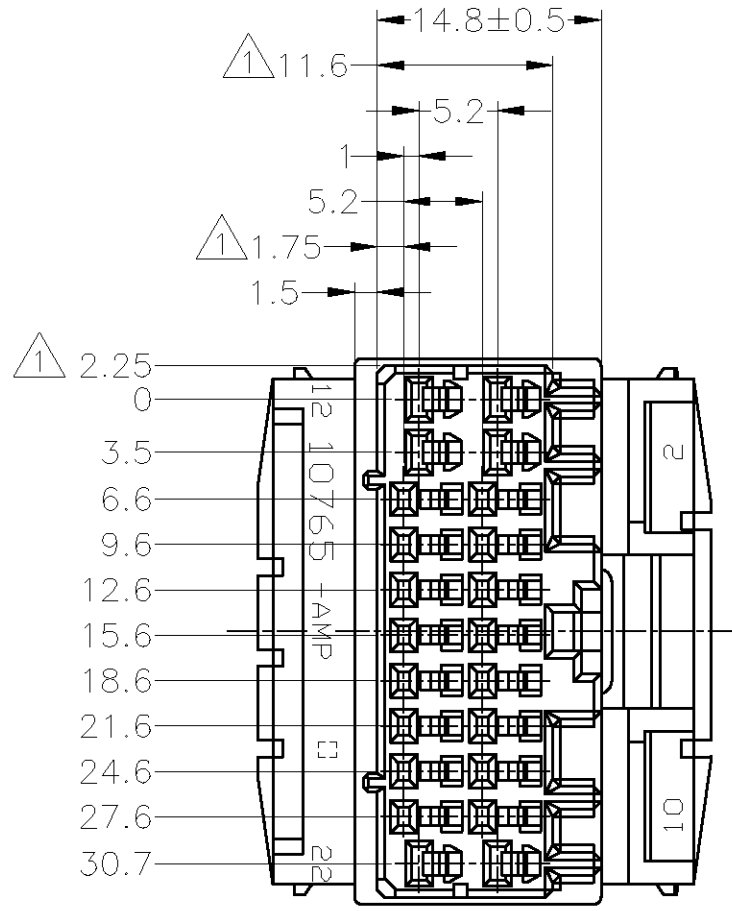


THIS DRAWING IS UNPUBLISHED. RELEASED FOR PUBLICATION  
 © COPYRIGHT - By - ALL RIGHTS RESERVED.

LOC	DIST	REVISIONS						
		P	LTR	DESCRIPTION	DATE	DWN	APVD	
J	-		D3	OBSOLETE 6-174515-6	ECR-12-008456	09MAY2012	TS	KB



- 1. MUST BE KEPT BETWEEN -Z- AND 2mm.
  - 2. THE MATING CAP HOUSING PART NUMBER ; 174518
  - 3. APPLIED CONTACT PART NUMBER ; 173631, 173716, 173630, 175094
  - 4. APPLICABLE PRODUCT SPECIFICATION NUMBER ; 108-5280
- 1. -Z- 面より 2mm の範囲で測定
  - 2. 嵌合相手ハウジング型番 ; 174518
  - 3. 内装するリセプタクルコンタクト型番 ; 173631, 173716, 173630, 175094
  - 4. 適用製品規格番号 ; 108-5280

	色 COLOR	PART NUMBER
OBSOLETE	黄 YELLOW	174515-7
	淡灰 LIGHT GRAY	6-174515-6
	灰 GRAY	174515-6
	青 BLUE	174515-5
	白 WHITE	174515-1

TOLERANCE UNLESS OTHERWISE SPECIFIED:	
一般公差	
0 < x ≤ 10	±0.2
10 < x ≤ 30	±0.25
30 < x ≤ 100	±0.3
ANGLE ; 角度	±3°

THIS DRAWING IS A CONTROLLED DOCUMENT.		DWN T.SHINOHARA 06SEP10		<b>STE</b> TE Connectivity	
DIMENSIONS: mm		CHK K.BETSUI 06SEP10			
TOLERANCES UNLESS OTHERWISE SPECIFIED:		APVD K.BETSUI 06SEP10		NAME	
0 PLC ± - 1 PLC ± - 2 PLC ± - 3 PLC ± - 4 PLC ± - ANGLES ± - FINISH -		PRODUCT SPEC		HYBRID I/O CONNECTOR 22POSITION PLUG HOUSING	
MATERIAL PBT		APPLICATION SPEC		SIZE CAGE CODE DRAWING NO RESTRICTED TO	
		SEE NOTE 4		A3 00779 C-174515	
		WEIGHT -		SCALE 2:1 SHEET 1 OF 1 REV D3	
CUSTOMER DRAWING					