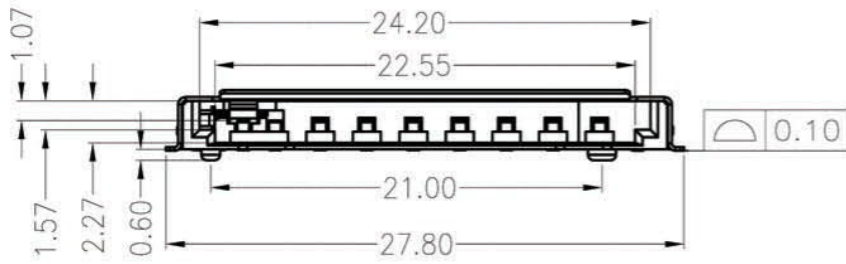
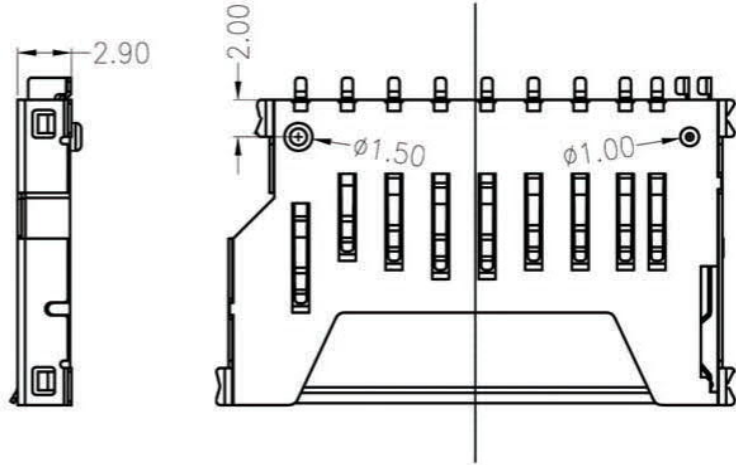
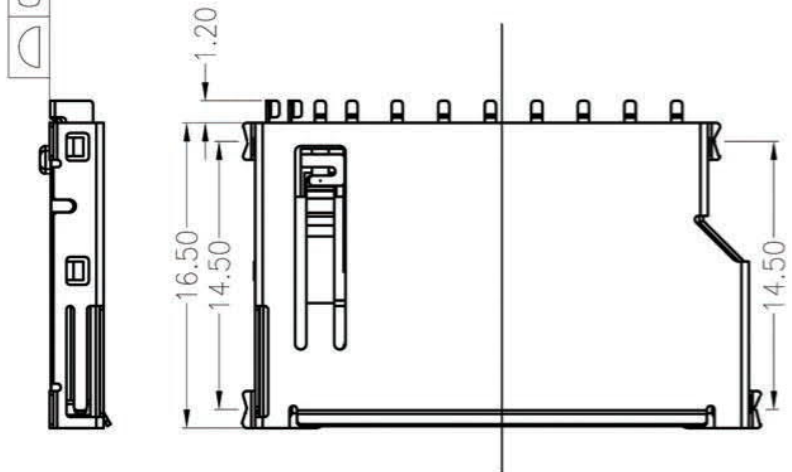
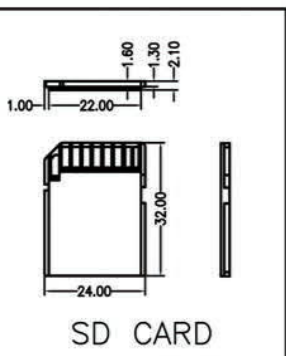


Kinghelm®

REV.	DESCRIPTION	APPD	DATE



- NOTES:
- MATERIAL:
HOUSING: HIGH TEMPERATURE THERMOPLASTIC UL94V_0,COLOR:BLACK.
CONTACT: COPPER ALLOYS.
COVER: SPTF.
 - PLATING:
UNDERPLATE: NICKEL.
CONTACT AREA: GOLD OVER NICKEL.
SOLDER AREA: TIN OVER NICKEL.
 - MULTIMEDIA CARD COMPATIBLE



技术详询

型号: KH-SD2816-B

PART NO: SDDF1-EBS1-1301		MATERIAL:		深圳市金航标电子有限公司	
LOT NO: 1011110000		FINSH:			
UNIT: MM	SIZE: A4	COLOR:			
TOLERANCES: X.X=±0.15 X.XX=±0.05 X.XXX=±0.03		GENERAL ANGLE: X.X=±1.0° X.XX=±0.5°		TITLE: SD短卡 - 成品	
DR: 杨凯 2011/03/31		CHK:		DWG NO: FP-100090	REV: A/0
APP:		SCALE: 1:1		SHEET: 1 OF 1	

0É Foxit PDF Editor ±â¼-
 ²æËÛÖÐ (c) by Foxit Software Company, 2004
 ½ÖÖÖÛÆ¼¼¼