

CATEGORY	DESCRIPTION	P/N #
CONNECTOR	10/100/1000 BASE-T DUAL PORT SMD TRANSFORMER MODULE	MT24-S1T1

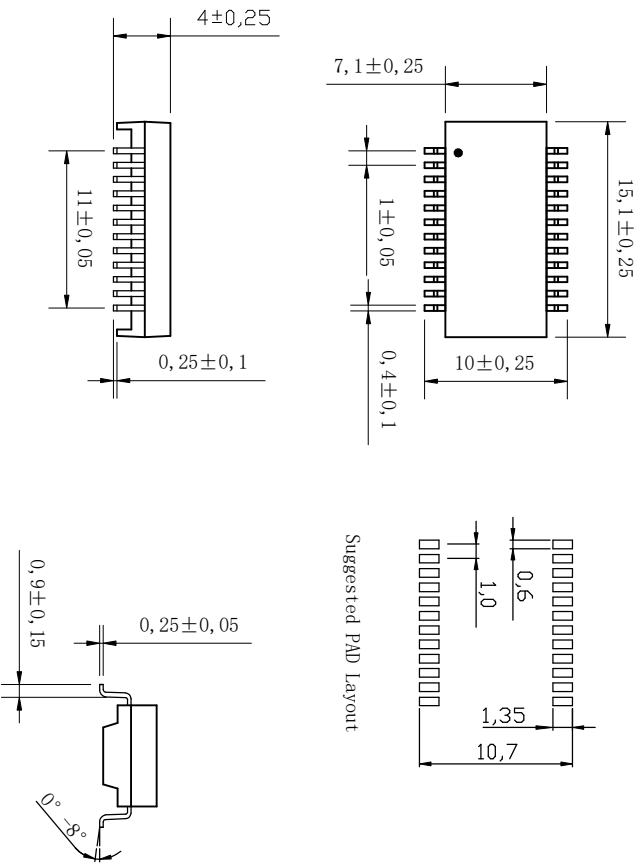
REV.	ECN NO	DESCRIPTION	REVISED	DATE
A01	—	—	KELLY	2009.05.17
A01	—	修改胶壳底部	KELLY	2016.12.08

Designed To Meet IEEE 802.3 & ANSI X 3.263 Standards.  
 Lead-Free & Designed To Meet RoHS Requirement  
 10/100/1000 Base-T, Surface Mount Type, Open Header.  
 Operating temperature range: 0 °C to +70 °C.

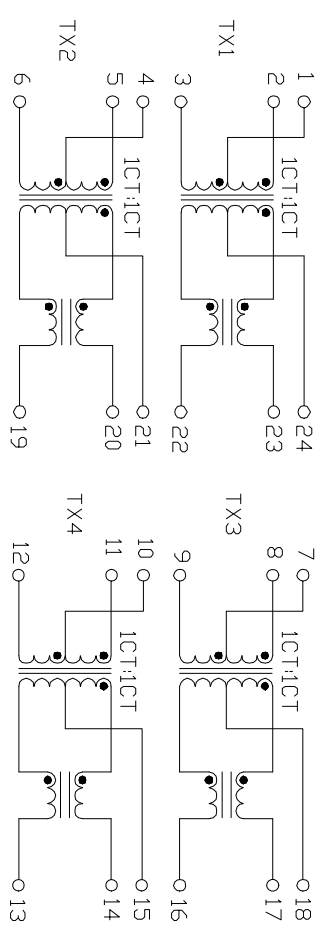
**Electrical Specifications @25°C**

Part Number	OCL (uH Min) @100kHz±0.1V With 8mA DC Bias	Turns Ratio (±3%)	Insertion Loss (dB Max)		Return Loss (dB Min)		Cross talk (dB Min)		CMRR (dB Min)	HI-POT (Vrms)
			0.5-100MHz	1-1.1	0.5-40MHz	40.1-100MHz	0.5-40MHz	40.1-100MHz		
Smd2402G	350	1CT:1CT	-1.1	-1.1	-18	-12+20*log(f/80)	-35	-33+20*log(f/50)	-30	1500

**MECHANICAL**



**SCHEMATICS**



REV:PRELIMINARY

UNLESS OTHERWISE SPECIFIED TOLERANCES

DECIMALS: X :±0.5  
X.X :±0.3  
X.XX :±0.2

ANGLES: X :±2°  
X.X :±1°  
X.XX :±1°

SCALE: 1/1 UNIT: mm

SIZE: A3 PAGE: 1 OF 1 REV: A01

APPROVED BY: TNOY

CHECKED BY: BILL

PREPARED BY: KELLY

**东莞市合陵电子有限公司**  
Dongguan Heling Electronic Co., LTD

CONNECTOR

DWG. NO:

CUSTOMER COPY