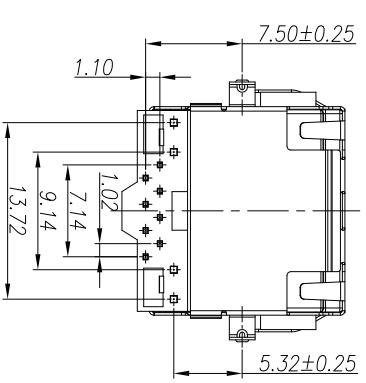
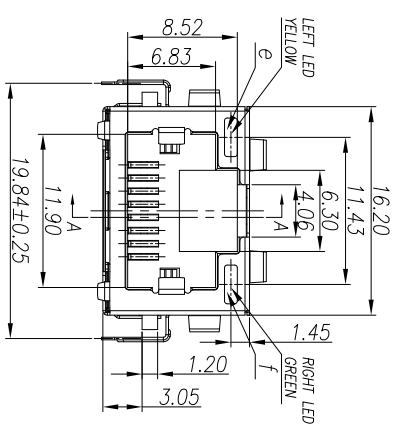
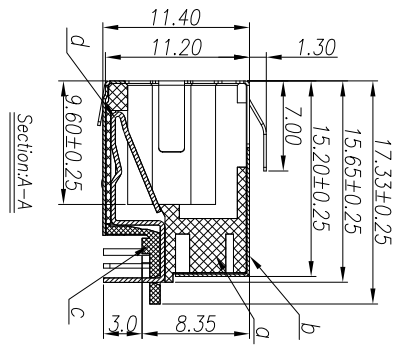
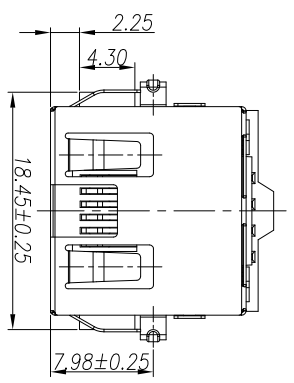


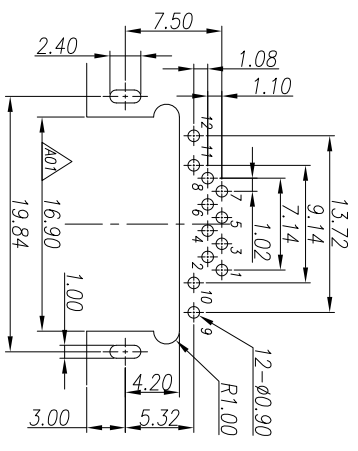
CATEGORY	DESCRIPTION	P/N #
CONNECTOR	Modular Jack, 8P8C, R/A, With LED	MJ88-XX11-RVSL2-X

料号由原 MJ88-BX11-RVSL2-X
变更为 MJ88-XX11-RVSL2-X

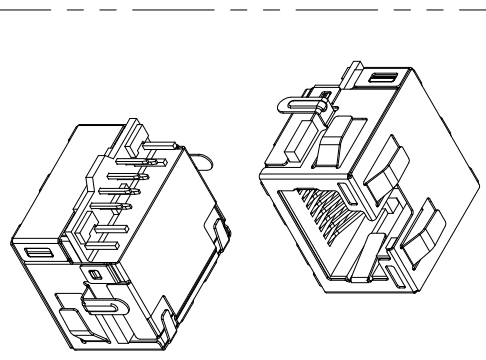
REV.	ECN NO	DESCRIPTION	REVISED	DATE
A01		修改PCB尺寸	XSY	2016.06.28
A02		增加包装选项	XFY	2017.08.28
A03		塑胶主体增加颜色选项	XSY	2017.12.18



- SPECIFICATION**
- CURRENT RATING: 1.5AMPS
 - VOLTAGE RATING: 125V AC
 - INSULATION RESISTANCE: 500MΩ MIN.
 - WITHSTAND VOLTAGE:
 - AC1000V RMS 50Hz or 60Hz MIN.
 - CONTACT RESISTANCE:40mΩ MAX.
 - DURABILITY: 750 MATING CYCLES
 - OPERATING TEMPERATURE: -40°C~+80°C



RECOMMENDED PCB LAYOUT (TOP VIEW)
(ALL TOLERANCES ARE ±0.05)



3D VIEW

X	Terminal Plating	X	包装方式
B	LCP BLACK	C	卷带包装
U	PA9T BLUE(RAL 5002)	P	吸塑盒包装

X	Terminal Plating
0	Au 1u" Plating
1	Au 3u" Plating
2	Au 6u" Plating
3	Au 15u" Plating
4	Au 30u" Plating
5	Au 50u" Plating

LED COLOR			
LED-R	MODE	COLOR	
10(+)	9(-)	GREEN	10- 9 -9
12(+)	11(-)	YELLOW	12- 11 -11

NO.	PART NAME	QTY	MATERIAL	PLATING & COLOR	Remark
f	LED-R	1	GREEN		
e	LED-L	1	YELLOW		
d	Terminal	8	PHOSPHOR BRONZE T=0.35mm	Au Plating	
c	Cover	1	LCP+30%GF UL94V-0	Black	
b	Shell	1	BRASS T=0.20mm	NI	
a	Housing	1	THERMOPLASTIC UL94V-0	SEE TABLE	

UNLESS OTHERWISE SPECIFIED TOLERANCES	SCALE: 1/1	UNIT: mm	DWG. NO:
DECIMALS: X:±0.5 X.X:±0.3 X.XX:±0.2	APPROVED BY	CHECKED BY	PREPARED BY
ANGLES: X:±2° X.X:±1°	XSY	XSY	XSY

東莞市合陵電子有限公司
DongGuan Heling Electronic Co.,LTD

SCALE: 1/1 UNIT: mm PAGE: 10F1 REV: A03 DWG. NO: WI-061-110

APPROVED BY XSY CHECKED BY XSY PREPARED BY XSY

CUSTOMER COPY