

CATEGORY	DESCRIPTION	P/N #
CONNECTOR	RJ45 8P8C 全塑1X1	MJ5388-X011-HRN1

REV.	ECN NO	DESCRIPTION	REVISED	DATE
A01	—	New Release	XSY	2015.07.08
A02	—	更改脚柱尺寸	XSY	2017.11.17
A03	ECN19061502	更改脚柱尺寸	YST	2019.06.15

MJ5388-X011-HRN1

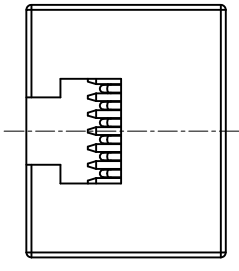
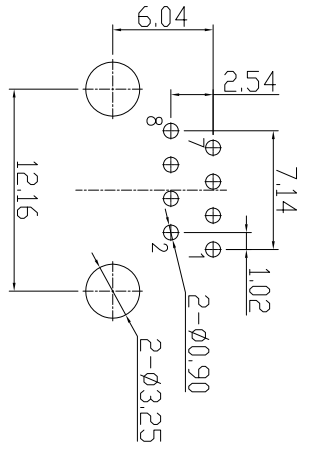
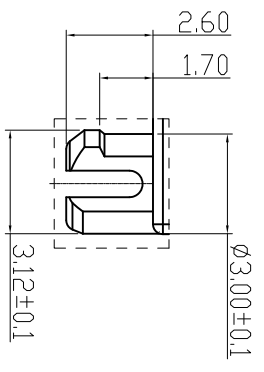
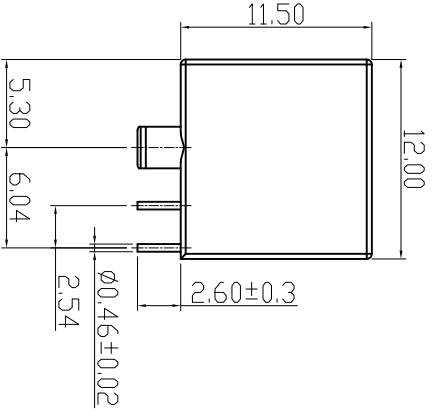
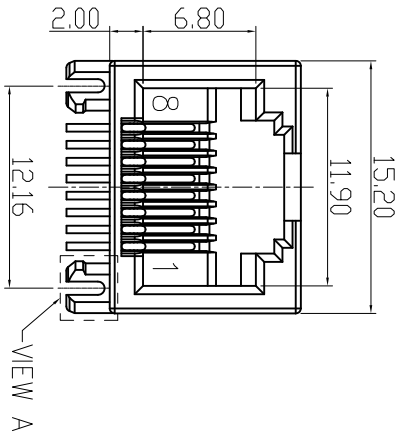


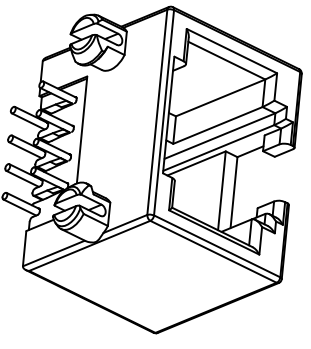
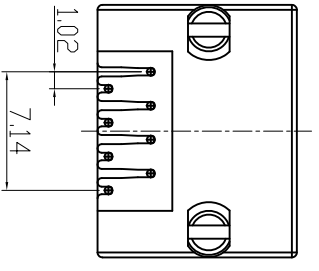
Table 1

X	Housing Color
B	Black
U	Blue 2143C
Y	Yellow 115C
G	Grey 7544C
W	White

- SPECIFICATION
- VOLTAGE RATING: 150 VAC RMS.
 - CURRENT RATING: 1.5 AMP
 - CONTACT RESISTANCE: 40 mΩ MAX
 - INSULATION RESISTANCE: 500MΩ MIN.
 - WITHSTAND VOLTAGE: AC1000V RMS 60s.
 - OPERATING TEMPERATURE: -40°C~+80°C



Recommend PCB Layout
(Jack Top View)
Tolerance: ±0.05mm
Recommend PCB Thickness: 1.6mm



VIEW A
SCALE 2:1

UNLESS OTHERWISE SPECIFIED TOLERANCES

SCALE: 1/1 UNIT: mm
SIZE: A3 PAGE: 1 OF 1 REV: A03
DWG. NO.

东莞市合陵电子有限公司
DongGuan Heling Electronic Co.,LTD

b	TERMINAL	8	PHOSPHOR BRONZE	∅0.46mm	G/F	
a	HOUSING	1	PBT UL94V-0		SEE TABLE 1	
NO.	PART NAME	Q'TY	MATERIAL		PLATING & COLOR	Remark

DECIMALS: X :±0.5
XX :±0.3
XXX :±0.2

ANGLES: X :±2°
XX :±0.3°
XXX :±1°

APPROVED BY: XSY
CHECKED BY: XSY
PREPARED BY: YST

CUSTOMER COPY