

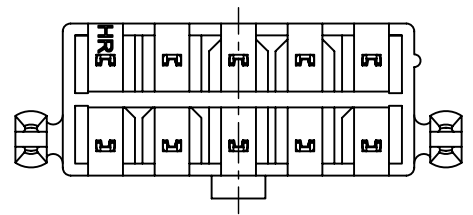
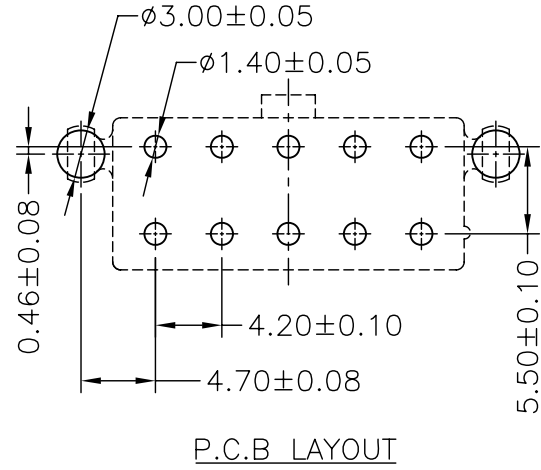
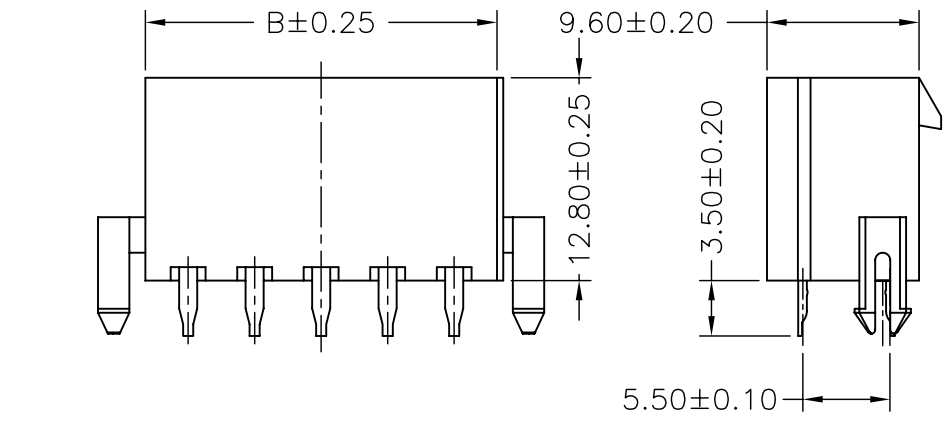
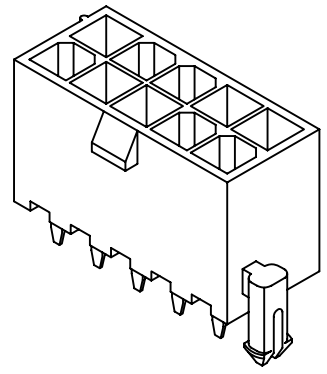
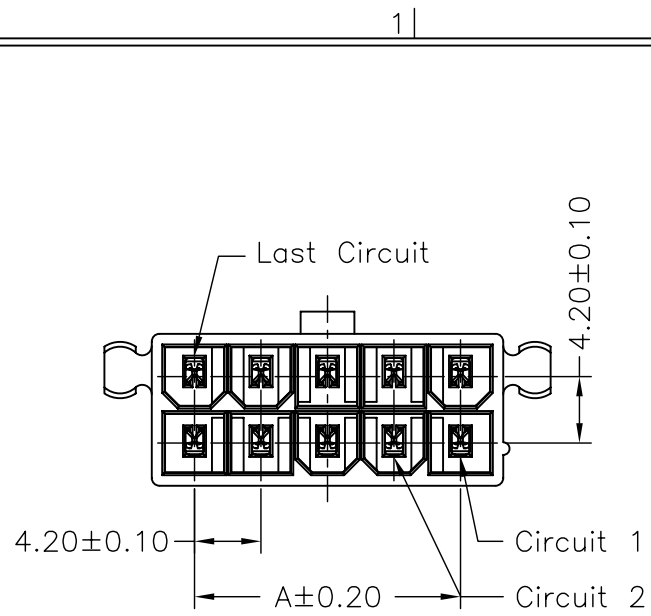
P/N LEGEND


C4255 WVA-F-2XNP XXX				
①	②	③	④	⑤
① Series No.	② Connector type: WVA=Vertical A type	③ Mounting type: F=With foot	④ No. of circuits	⑤ Option code:
Blank=Material:Nylon 66,UL94V-2; Color:Natural(Translucent)				
V0=Material:Nylon 66,UL94V-0; Color:Natural(White)				
46=Material:Nylon 46,UL94V-0; Color:Natural(Beige)				

SPECIFICATIONS

Current Rating: 9A AC,DC
 Voltage Rating: 600V AC,DC
 Temperature Range: -25°C ~ +85°C
 Contact Resistance: 10mΩ Max
 Insulation Resistance: 1000MΩ Min
 Withstanding Voltage: 1500V AC/minute
 Pin Material: Brass/Tin-plated

Circuit No.	Dimensions	
	A	B
2X01P	---	5.40
2X02P	4.20	9.60
2X03P	8.40	13.80
2X04P	12.60	18.00
2X05P	16.80	22.20
2X06P	21.00	26.40
2X07P	25.20	30.60
2X08P	29.40	34.80
2X09P	33.60	39.00
2X10P	37.80	43.20
2X11P	42.00	47.40
2X12P	46.20	51.60



 燦達電子工業股份有限公司 JOINT TECH ELECTRONIC IND. CO., LTD.			
UNIT	SCALE	SHEET	TITLE:
mm	1 : 1	1 of 1	4. 20mm PITCH, MINI-FIT, 180° WAFER WITH FOOT
DRAWN BY 郭木恩 2014. 09. 19	APPROVED BY 陳彥兆 2014. 09. 19		
GENERAL TOLERANCE			
A1	EN1410230001	2014. 10. 23	郭木恩
A0	NEW RELEASE	2014. 09. 19	郭木恩
REV.	DESCRIPTION	DATE	NAME
			X. X±0. 25
			X. XX±0. 15
			X. XXX±0. 05
			ANGLE±
			DRAW NO. : C4255WVA-F-2XNPXXX
			REV. A1

1 | 2 | 3 | 4 |

A

A

B

B

C

C

D

D

1 | 2 | 3 | 4 |