

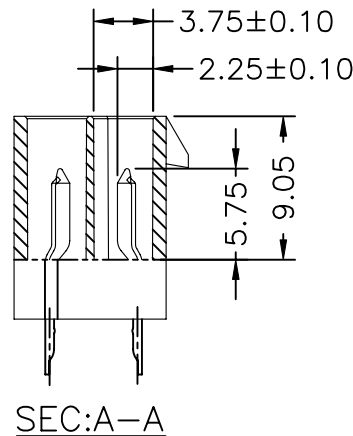
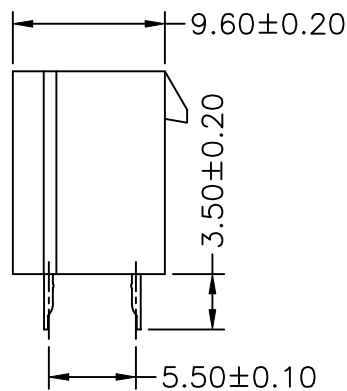
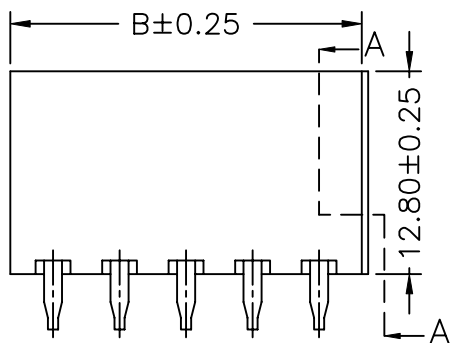
P/N LEGEND

C4255	WVA-2XNP	N	X	X	T1	N	00	B	
①	②	③	④	⑤	⑥	⑦	⑧	⑨	⑩

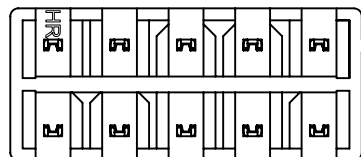
① Series No.
 ② Connector type: WVA=Vertical A type
 ③ No. of circuits
 ④ N=Halogen Free
 ⑤ Material: 0=Nylon 66-V0 ; 2=Nylon 66-V2
 L=LCP-V0
 ⑥ Color: B=Black; W=White; N=Natural
 ⑦ Plating code for contacts: T1=Tin-plated
 ⑧ Plating code: N=Non-plating
 ⑨ Option code: 00=Standard
 ⑩ Packing code: B=Tray

SPECIFICATIONS

Current Rating: 9A AC,DC
 Voltage Rating: 600V AC,DC
 Temperature Range: -25°C ~ +85°C
 Contact Resistance: 10mΩ Max
 Insulation Resistance: 1000MΩ Min
 Withstanding Voltage: 1500V AC/minute
 Pin Material: Brass



Circuit No.	Dimensions	
	A	B
2X01P	---	5.40
2X02P	4.20	9.60
2X03P	8.40	13.80
2X04P	12.60	18.00
2X05P	16.80	22.20
2X06P	21.00	26.40
2X07P	25.20	30.60
2X08P	29.40	34.80
2X09P	33.60	39.00
2X10P	37.80	43.20
2X11P	42.00	47.40
2X12P	46.20	51.60



						燦達電子工業股份有限公司 JOINT TECH ELECTRONIC IND. CO., LTD.	
UNIT		SCALE	SHEET		TITLE:		
mm		1 : 1	1 of 2		4.20mm PITCH 180° WAFER, MINI-FIT		
DRAWN BY 陳錦展 2012.03.13		APPROVED BY 董正一 2012.03.13		DRAW NO. :			
GENERAL TOLERANCE		ANGLE±				C4255WVA-2XNPXXXXXXXXX	
A1	EN1510160001	2015.10.16	郭本思				
A0	NEW RELEASE	2012.03.13	陳錦展	X.XX±0.15			
REV.	DESCRIPTION	DATE	NAME	X.XXX±0.05			

