

1

2

3

4

A

A

B

B

C

C

D

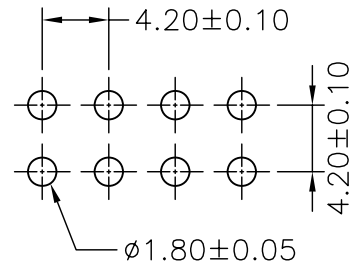
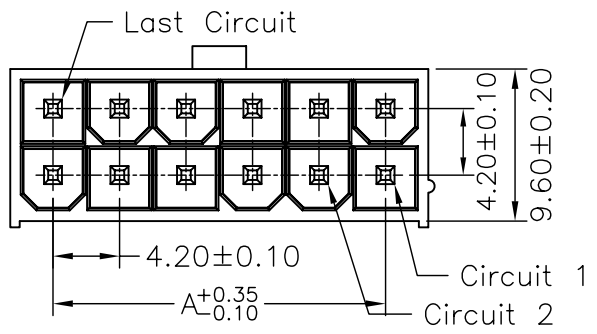
D

P/N LEGEND

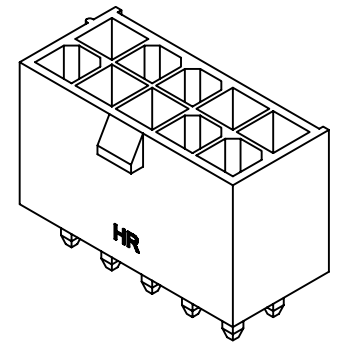
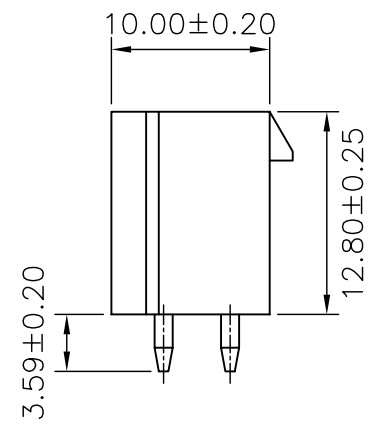
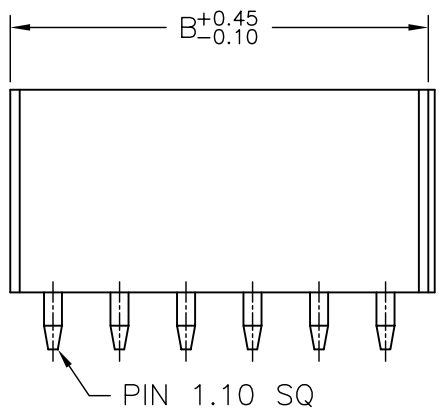
C4255 WV-2XNP V0			
①	②	③	④
① Series No.	② Connector type: WV=Vertical	③ No. of circuits	④ V0=Nylon 66,UL94V-0

SPECIFICATIONS

Current Rating: 9A AC,DC
Voltage Rating: 600V AC,DC
Temperature Range: -25°C ~ +85°C
Contact Resistance: 10mΩ Max
Insulation Resistance: 1000MΩ Min
Withstanding Voltage: 1500V AC/minute
Pin Material: Brass/Tin-plated
Color: Natural(White)



P.C.B LAYOUT



Circuit No.	Dimensions	
	A	B
2X01P	---	5.40
2X02P	4.20	9.60
2X03P	8.40	13.80
2X04P	12.60	18.00
2X05P	16.80	22.20
2X06P	21.00	26.40
2X07P	25.20	30.60
2X08P	29.40	34.80
2X09P	33.60	39.00
2X10P	37.80	43.20
2X11P	42.00	47.40
2X12P	46.20	51.60

				燦達電子工業股份有限公司 JOINT TECH ELECTRONIC IND. CO., LTD.	
UNIT	SCALE	SHEET	TITLE:		
mm	1 : 1	1 of 2	4.20mm PITCH 180° WAFER, MINI-FIT		
DRAWN BY	APPROVED BY				
李勤 2006.06.07	董正一 2006.06.07				
GENERAL TOLERANCE			DRAW NO. : C4255WV-2XNPV0		
A1	EN1404170004	2014.04.17	郭本思	X.X±0.25	ANGLE±
A0	NEW RELEASE	2006.06.07	李勤	X.XX±0.15	
REV.	DESCRIPTION	DATE	NAME	X.XXX±0.05	REV. A1

1

2

3

4