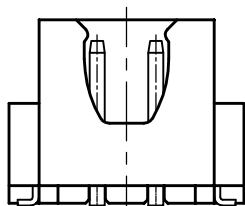
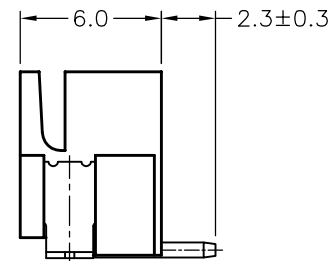
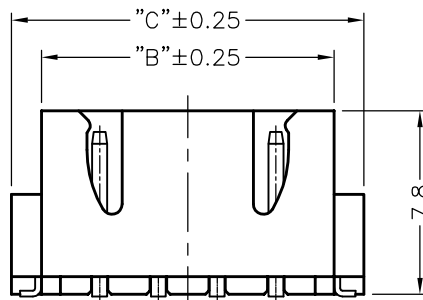
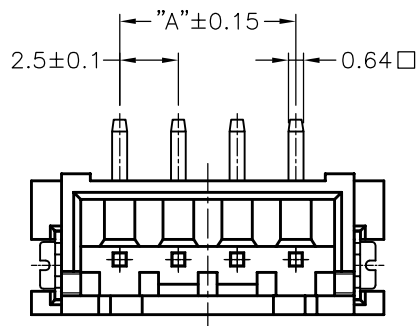
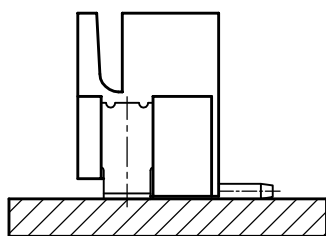


Poles	DIM.A	DIM.B	DIM.C
2P	2.5	7.45	10.0
3P	5.0	9.95	12.5
4P	7.5	12.45	15.0
5P	10.0	14.95	17.5
6P	12.5	17.45	20.0
7P	15.0	19.95	22.5
8P	17.5	22.45	25.0
9P	20.0	24.95	27.5
10P	22.5	27.45	30.0
11P	25.0	29.95	32.5
12P	27.5	32.45	35.0
13P	30.0	34.95	37.5
14P	32.5	37.45	40.0
15P	35.0	39.95	42.5
16P	37.5	42.45	45.0



2P样式

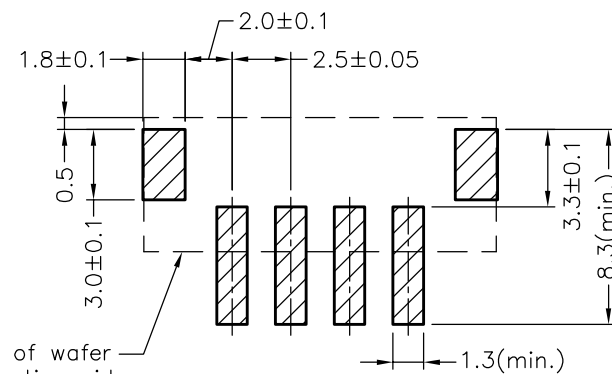
3P~16P样式



Assembly Layout

SPECIFICATIONS

- 1、Current Rating: 3A AC, DC
- 2、Voltage Rating: 250V AC, DC
- 3、Temperatuer Range: -25°C~+85°C
- 4、Contact Resistance: 20mΩ Max
- 5、Insulation Resistance: 1000MΩ Min
- 6、Withstanding Voltang: 1000V AC/minute
- 7、Material: Wafer Nylon66, UL94V-0
PIN Brass Tin-plated



P.C.B LAYOUT

End face of wafer on the mating side

				TOLERANCE UNLESS OTHERWISE		DRAWN	CK tan	XFCN兴飞连接器有限公司 CONNECTORS XFCN CONNECTORS CO., LTD.		SHEET	1/1
				X.	±0.30	X°	±5°			CHKD	DATE
				.X	±0.20	.X°	±2°	APPD	PRODUCT NAME	2.50mm Crimp Style Connectors	
				.XX	±0.08	.XX°	±1°	VIEW	PART. NO.	M2501VS-XX-XXX	
AO	MODIFICATION		DATE	.XXX	±0.03	.XXX°	±0.5°			UNITS	mm
VER										SCALE	1:1
										DWG. NO.	009