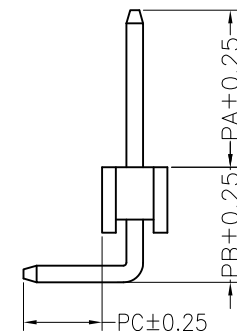
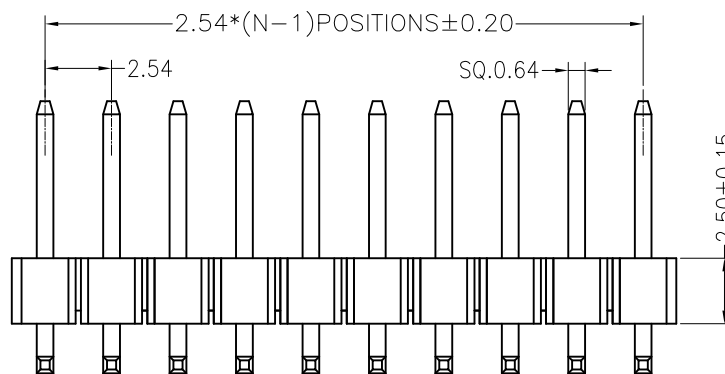
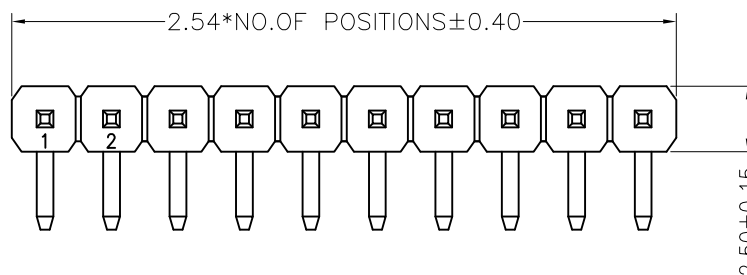
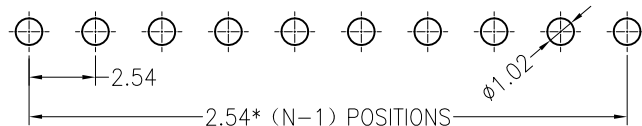


NOTES:

Voltage Rating:250V AC/DC  
 Current Rating:3.0A AC/DC  
 Dielectric Withstand Voltage:500V AC/minute  
 Contact Voltage:20M Max.  
 Insulation Voltage:1000M Min  
 Operation temperature:-40 °C to +105 °C  
 Insulator Material:Polyester .UL94V-0  
 Contact Material:Brass  
 Contact Plating:AuorSn Plated on Nickel Overall

Recommended P.C.B Layout  
 P.C.B Board Tolerance±0.05



塑胶高度可选 (mm)	常用
H	1.0 1.5 2.0 2.54

Dimension antitheses list				
item	PA	PB	PC	L
Standard	6.00	4.40	3.00	13.80
Alternate	---	---	---	---

				TOLERANCE UNLESS OTHERWISE		DRAWN	CK tan	<b>XFCN兴飞连接器有限公司</b> CONNECTORS XFCN CONNECTORS CO., LTD.		SHEET	1/1
				X.	±0.30	X°	±5°			CHKD	DATE
				.X	±0.20	.X°	±2°	APPD	PRODUCT NAME	2.54mm Pin Header Connectors	
				.XX	±0.08	.XX°	±1°	VIEW	PART. NO.	SCALE	1:1
				.XXX	±0.03	.XXX°	±0.5°			PZ254R-11-XX	DWG. NO.
AO	MODIFICATION		DRAW	DATE							