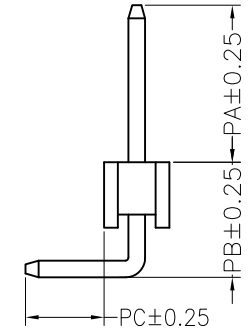
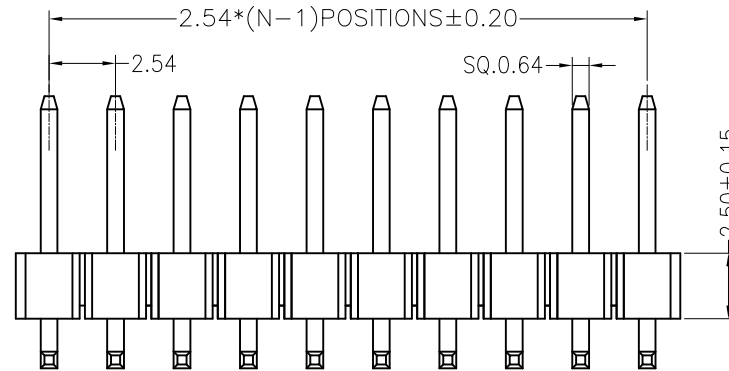
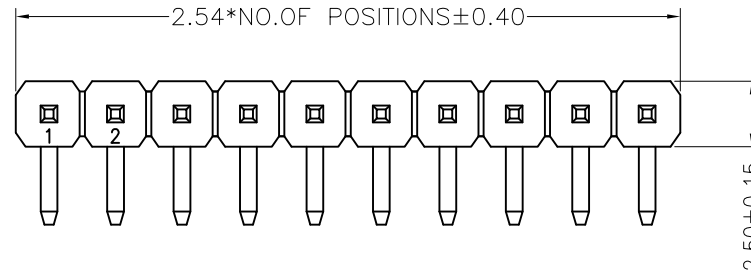
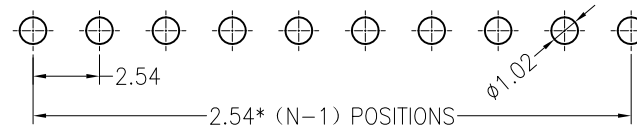


NOTES:

Voltage Rating:250V AC/DC
 Current Rating:3.0A AC/DC
 Dielectric Withstand Voltage:500V AC/minute
 Contact Voltage:20M Max.
 Insulation Voltage:1000M Min
 Operation temperature:-40 °C to +105 °C
 Insulator Material:Polyester .UL94V-0
 Contact Material:Brass
 Contact Plating:AuorSn Plated on Nickel Overall

Recommended P.C.B Layout
 P.C.B Board Tolerance±0.05



塑胶高度可选 (mm)	常用
H 1.0 1.5 2.0 2.54	

Dimension antitheses list				
item	PA	PB	PC	L
Standard	6.00	4.40	3.00	13.80
Alternate	---	---	---	---

				TOLERANCE UNLESS OTHERWISE		DRAWN	CK tan	XFCN兴飞连接器有限公司		SHEET	1/1	
				X.	±0.30	X°	±5°	CONNECTORS XFCN CONNECTORS CO., LTD.		DATE	2010. 4. 12	
				.X	±0.20	.X°	±2°	PRODUCT NAME		UNITS	mm	
				.XX	±0.08	.XX°	±1°	PART. NO.		SCALE	1:1	
AO	MODIFICATION		DRAW	DATE	.XXX	±0.03	.XXX°	±0.5°	PZ254R-11-XX		DWG NO.	009