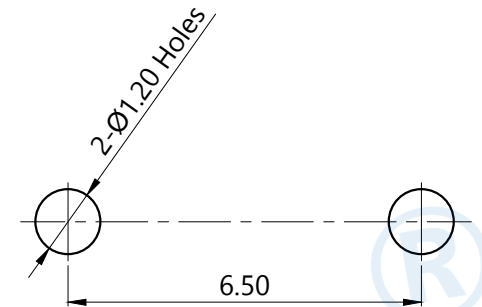
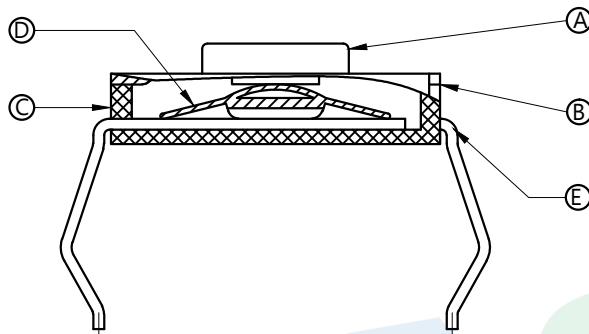
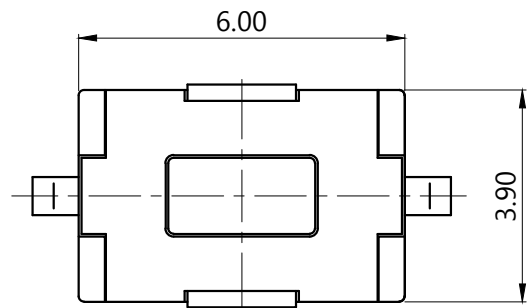


RoHS



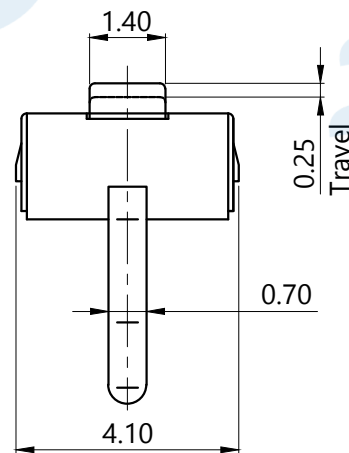
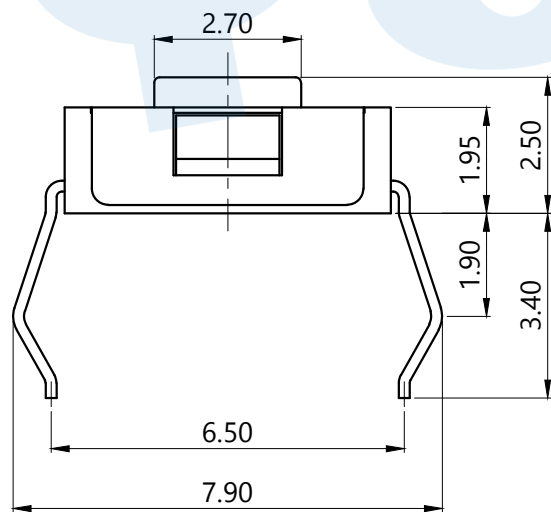
PCB Layout(Pattern Side)



Circuit diagram

SHRAPNEL	
CODE	MATERIAL/QTY
D2	SUS/1PCS
D4	SUS/2PCS

OPERATING FORCE	
CODE	VIGOR
B1	120±30gf
B2	180±30gf
B3	250±30gf



NO.	Name	Number	Qty	Materil	Remarks
⑤	Terminal		2	Brass	Silvering
④	Reed		1	SUS	Silver covered
③	Base		1	PPA	Black
②	Cover		1	SUS	Nickel Plating
①	Button		1	PPA	Red

YUANDI® Yuandi Electronics Co, Ltd

design	date	name	TACT SWITCHS
Review	date		
Approved	date	name	TS-1092D-B□D□

Drawing number: Proportion 1:1 unit mm gage number A4

modify Review Approved Tolerance not specified

angle	±2'
10~30	±0.30
5~10	±0.20
~ 5	±0.10