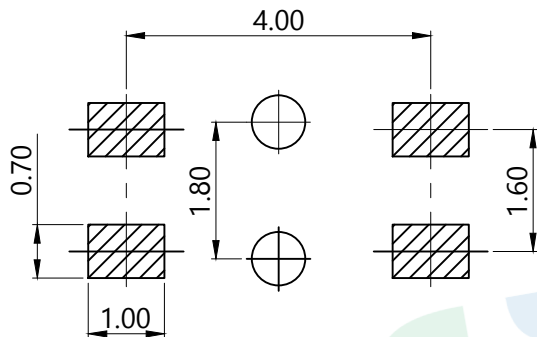
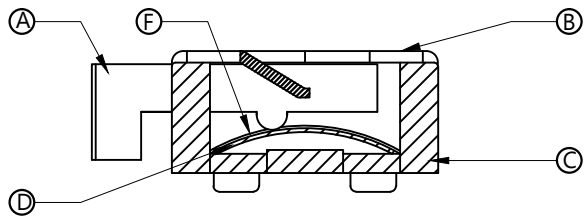
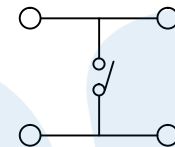


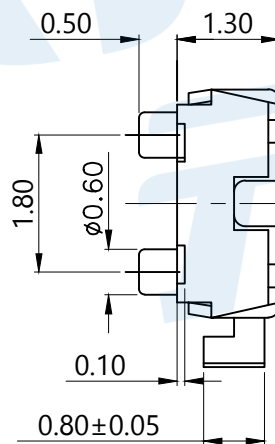
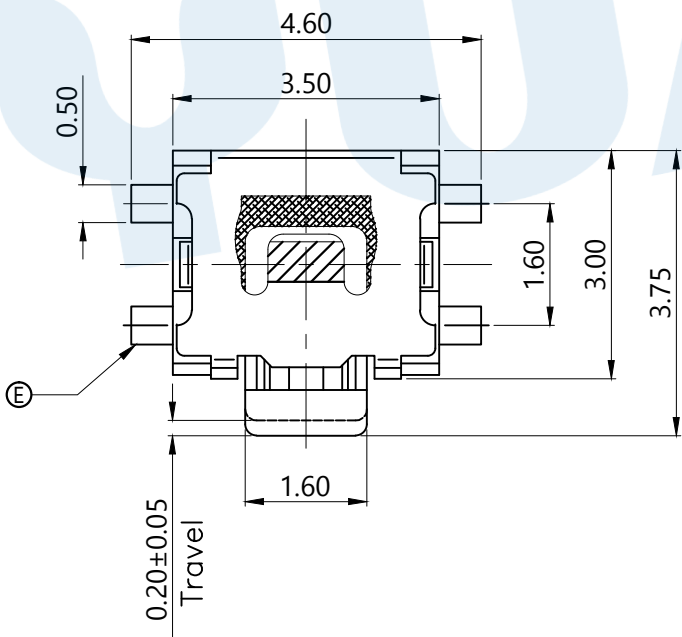
RoHS



PCB Layout(Pattern side)



Circuit Diagram



PART NO.	
TS-1065A	
TS-1065AS	

SHRAPNEL	
CODE	MATERIAL/QTY
D2	SUS/1PCS
D4	SUS/2PCS

OPERATING FORCE	
CODE	VIGOR
B2	180±30gf
B3	250±30gf

Ⓕ	Dust film		1	Polyimide tape	
Ⓖ	Terminal		4	Phosphor bronze	Silvering
Ⓓ	Reed		2	SUS	Silver covered
Ⓒ	Base		1	LCP	Black
Ⓑ	Cover		1	SUS	Nickel plated
Ⓐ	Button		1	PA46	Black
NO.	Name	Number	Qty	Materil	Remarks

**YUANDI®** Yuandi Electronics Co, Ltd

design	date	name	TACT SWITCHS
Review	date		
Approved	date	name	TS-1065A-B□□□

Drawing number: Proportion 1:1 unit mm gage number A4

modify Review Approved Tolerance not specified

angle ±2'  
10~30 ±0.30  
5~10 ±0.20  
~ 5 ±0.10