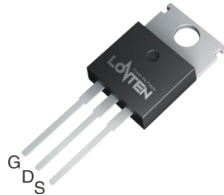

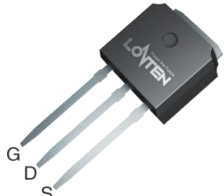
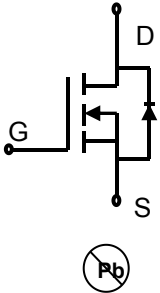


## Lonten N-channel 45V, 70A, 9mΩ Power MOSFET

<p><b>Description</b></p> <p>These N-Channel enhancement mode power field effect transistors are using trench DMOS technology. This advanced technology has been especially tailored to minimize on-state resistance, provide superior switching performance, and with stand high energy pulse in the avalanche and commutation mode. These devices are well suited for high efficiency fast switching applications.</p> <p><b>Features</b></p> <ul style="list-style-type: none"> <li>◆ 45V,70A,<math>R_{DS(ON),max}=9m\Omega@V_{GS}=10V</math></li> <li>◆ Improved dv/dt capability</li> <li>◆ Fast switching</li> <li>◆ 100% EAS Guaranteed</li> <li>◆ Green device available</li> </ul> <p><b>Applications</b></p> <ul style="list-style-type: none"> <li>◆ Motor Drives</li> <li>◆ UPS</li> <li>◆ DC-DC Converter</li> </ul>	<p><b>Product Summary</b></p> <table> <tr> <td><math>V_{DSS}</math></td> <td>45V</td> </tr> <tr> <td><math>R_{DS(on),max}@V_{GS}=10V</math></td> <td>9mΩ</td> </tr> <tr> <td><math>I_D</math></td> <td>70A</td> </tr> </table> <p><b>Pin Configuration</b></p> <div style="display: flex; justify-content: space-around;"> <div style="text-align: center;">  <p>TO-220</p> </div> <div style="text-align: center;">  <p>TO-252</p> </div> </div> <div style="text-align: center; margin-top: 20px;">  <p>TO-251</p> </div> <div style="text-align: right; margin-top: 20px;">  <p style="text-align: center;">N-Channel MOSFET</p> </div>	$V_{DSS}$	45V	$R_{DS(on),max}@V_{GS}=10V$	9mΩ	$I_D$	70A
$V_{DSS}$	45V						
$R_{DS(on),max}@V_{GS}=10V$	9mΩ						
$I_D$	70A						

### Absolute Maximum Ratings T<sub>C</sub> = 25°C unless otherwise noted

Parameter	Symbol	Value	Unit
Drain-Source Voltage	$V_{DSS}$	45	V
Continuous drain current ( $T_C = 25^\circ C$ )	$I_D$	70	A
Continuous drain current ( $T_C = 100^\circ C$ )		42	A
Pulsed drain current <sup>1)</sup>	$I_{DM}$	280	A
Gate-Source voltage	$V_{GSS}$	±20	V
Avalanche energy <sup>2)</sup>	$E_{AS}$	110	mJ
Power Dissipation ( $T_C = 25^\circ C$ )	$P_D$	83	W
Storage Temperature Range	$T_{STG}$	-55 to +150	°C
Operating Junction Temperature Range	$T_J$	-55 to +150	°C

### Thermal Characteristics

Parameter	Symbol	Value	Unit
Thermal Resistance, Junction-to-Case	$R_{\theta JC}$	1.5	°C/W

## Package Marking and Ordering Information

Device	Device Package	Marking
LNH045R090	TO-251	LNH045R090
LNG045R090	TO-252	LNG045R090
LNC045R090	TO-220	LNC045R090

## Electrical Characteristics

$T_J = 25^\circ\text{C}$  unless otherwise noted

Parameter	Symbol	Test Condition	Min.	Typ.	Max.	Unit
<b>Static characteristics</b>						
Drain-source breakdown voltage	$BV_{DSS}$	$V_{GS}=0\text{ V}, I_D=250\mu\text{A}$	45	---	---	V
Gate threshold voltage	$V_{GS(th)}$	$V_{DS}=V_{GS}, I_D=250\mu\text{A}$	0.9	---	1.8	V
Drain-source leakage current	$I_{DSS}$	$V_{DS}=45\text{ V}, V_{GS}=0\text{ V}, T_J = 25^\circ\text{C}$	---	---	1	$\mu\text{A}$
		$V_{DS}=36\text{ V}, V_{GS}=0\text{ V}, T_J = 125^\circ\text{C}$	---	---	10	$\mu\text{A}$
Gate leakage current, Forward	$I_{GSSF}$	$V_{GS}=20\text{ V}, V_{DS}=0\text{ V}$	---	---	100	nA
Gate leakage current, Reverse	$I_{GSSR}$	$V_{GS}=-20\text{ V}, V_{DS}=0\text{ V}$	---	---	-100	nA
Drain-source on-state resistance	$R_{DS(on)}$	$V_{GS}=10\text{ V}, I_D=20\text{ A}$	---	6.2	9	m $\Omega$
		$V_{GS}=4.5\text{ V}, I_D=10\text{ A}$	---	8	11.5	m $\Omega$
Forward transconductance	$g_{fs}$	$V_{DS} = 5\text{ V}, I_D=10\text{A}$	---	36	---	S
<b>Dynamic characteristics</b>						
Input capacitance	$C_{iss}$	$V_{DS} = 25\text{ V}, V_{GS} = 0\text{ V},$ $F = 1\text{MHz}$	---	2440	---	pF
Output capacitance	$C_{oss}$		---	190	---	
Reverse transfer capacitance	$C_{rss}$		---	126	---	
Turn-on delay time	$t_{d(on)}$	$V_{DD} = 25\text{V}, V_{GS}=10\text{V}, I_D = 10\text{ A},$ $R_G=27\Omega$	---	14	---	ns
Rise time	$t_r$		---	110	---	
Turn-off delay time	$t_{d(off)}$		---	322	---	
Fall time	$t_f$		---	91	---	
Gate resistance	$R_g$	$V_{GS}=0\text{V}, V_{DS}=0\text{V}, F=1\text{MHz}$	---	1.84	---	$\Omega$
<b>Gate charge characteristics</b>						
Gate to source charge	$Q_{gs}$	$V_{DS}=25\text{ V}, I_D=10\text{A},$ $V_{GS}= 10\text{ V}$	---	8.6	---	nC
Gate to drain charge	$Q_{gd}$		---	8.2	---	
Gate charge total	$Q_g$		---	49.3	---	
<b>Drain-Source diode characteristics and Maximum Ratings</b>						
Continuous Source Current	$I_S$		---	---	70	A
Pulsed Source Current <sup>(3)</sup>	$I_{SM}$		---	---	280	A
Diode Forward Voltage	$V_{SD}$	$V_{GS}=0\text{V}, I_S=10\text{A}, T_J=25^\circ\text{C}$	---	---	1.2	V
Reverse Recovery Time	$t_{rr}$	$I_S=10\text{A}, di/dt=100\text{A}/\mu\text{s}, T_J=25^\circ\text{C}$	---	23.3	---	ns
Reverse Recovery Charge	$Q_{rr}$		---	14.4	---	nC

### Notes:

1: Repetitive Rating: Pulse width limited by maximum junction temperature.

2:  $V_{DD}=25\text{V}, V_{GS}=10\text{V}, L=0.5\text{mH}, I_{AS}=21\text{A}, R_G=25\Omega$ , Starting  $T_J=25^\circ\text{C}$ .

3: Pulse Test: Pulse Width  $\leq 300\mu\text{s}$ , Duty Cycle  $\leq 2\%$ .

**Electrical Characteristics Diagrams**

Figure 1. Typ. Output Characteristics

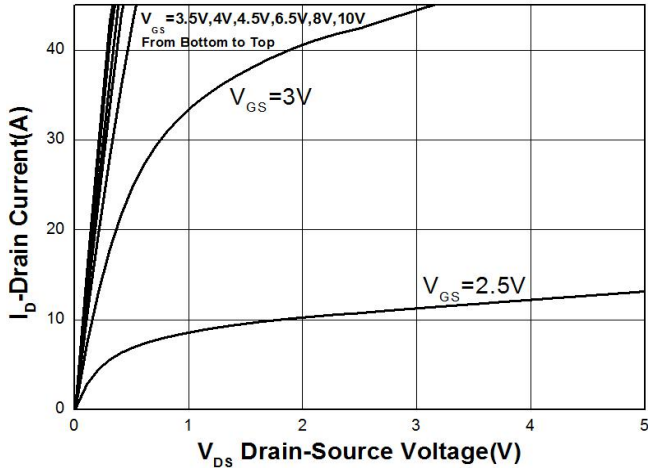


Figure 2. Transfer Characteristics

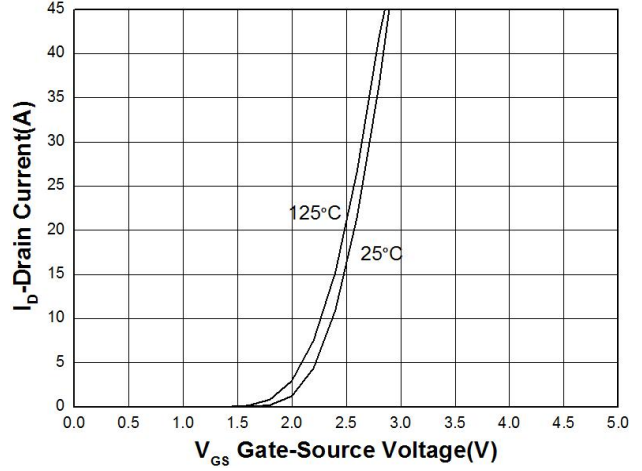


Figure 3. Capacitance Characteristics

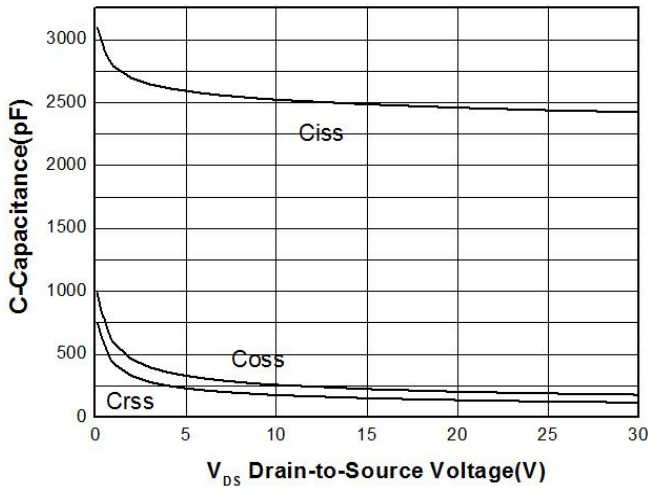


Figure 4. Gate Charge Waveform

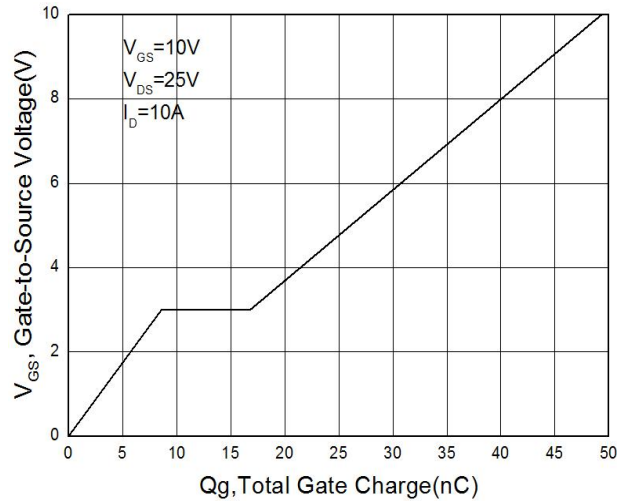


Figure 5. Body-Diode Characteristics

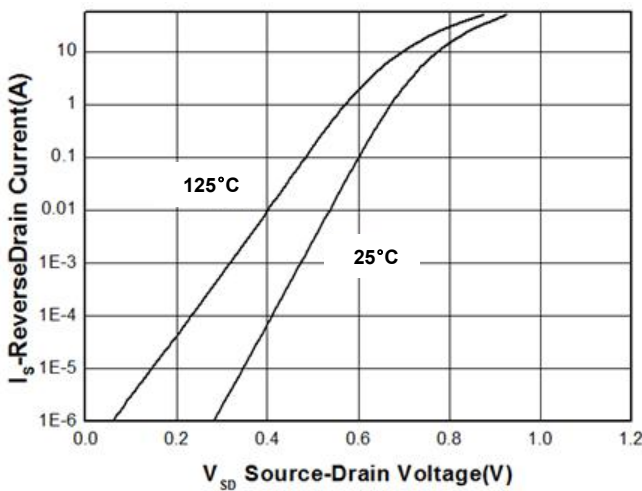


Figure 6. Rds(on)-Drain Current

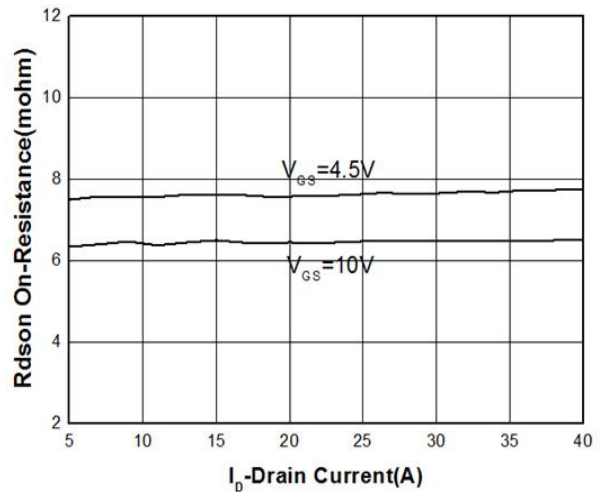


Figure 7. Rdson-Junction Temperature(°C)

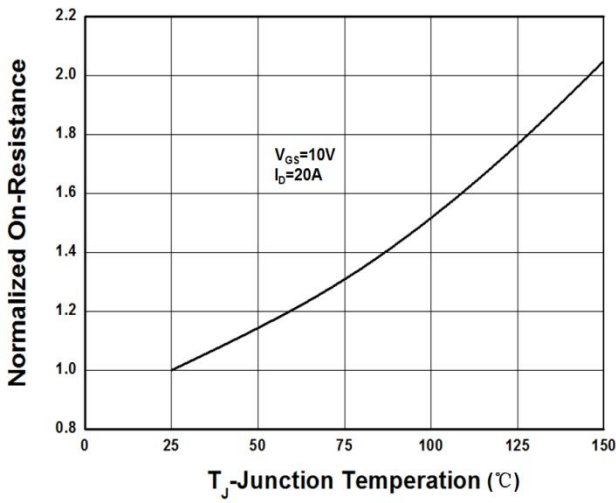


Figure 8. Maximum Safe Operating Area

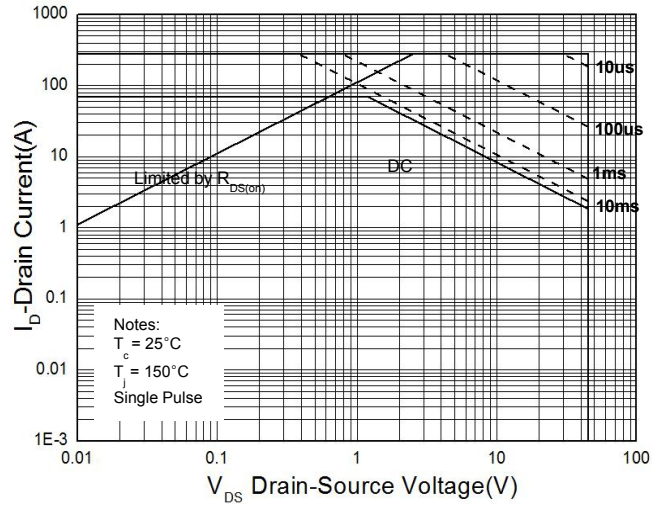
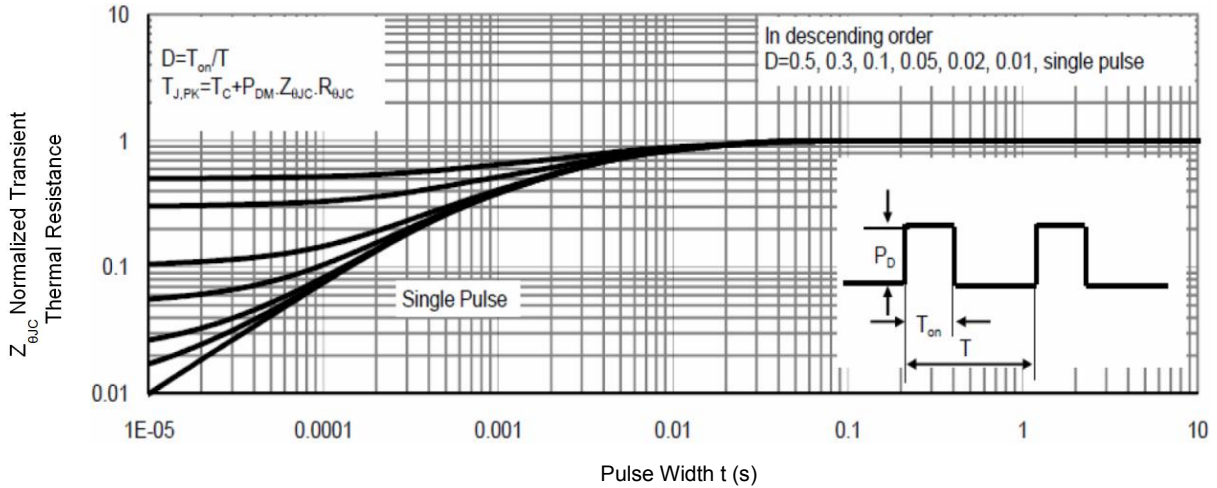


Figure 6. Normalized Maximum Transient Thermal Impedance



**Test Circuit & Waveform**

Figure 8. Gate Charge Test Circuit & Waveform

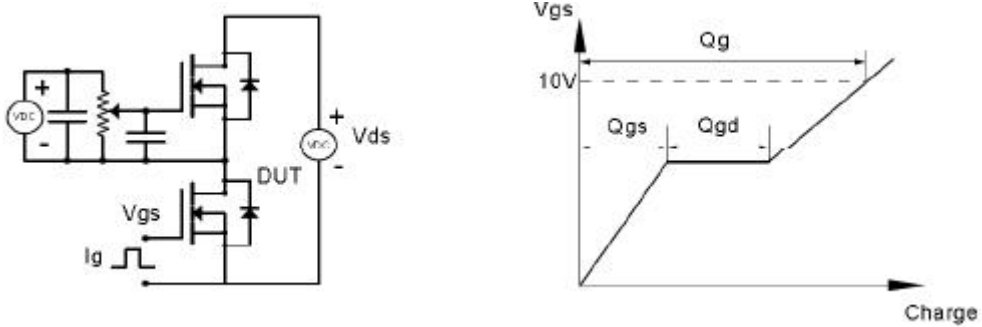


Figure 9. Resistive Switching Test Circuit & Waveforms

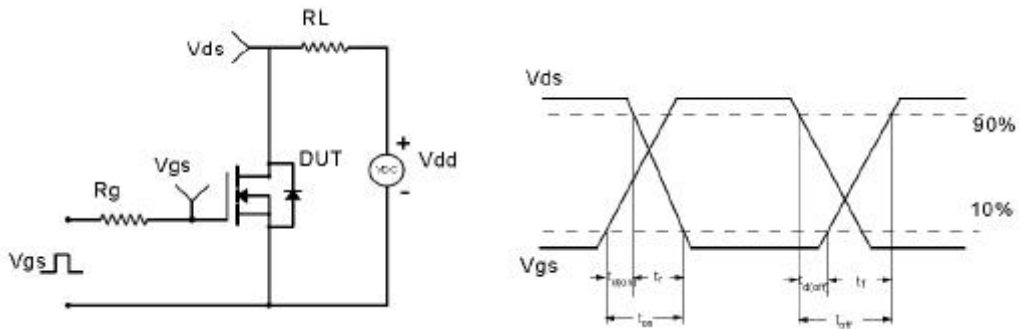


Figure 10. Unclamped Inductive Switching (UIS) Test Circuit & Waveform

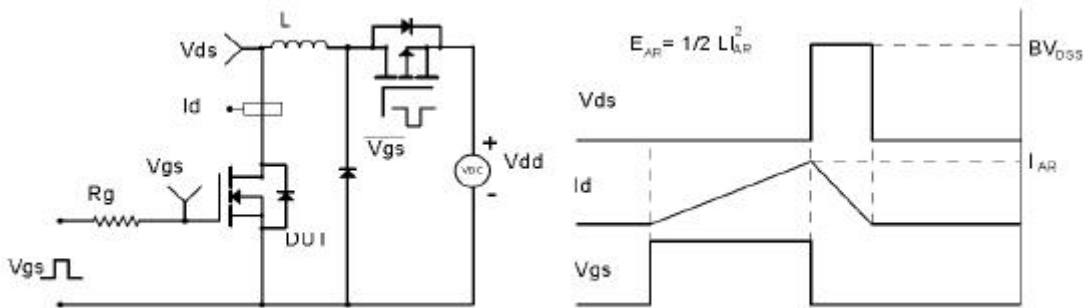
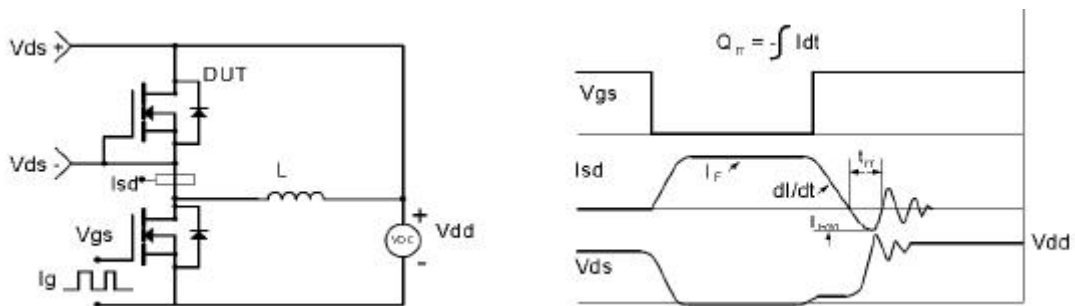
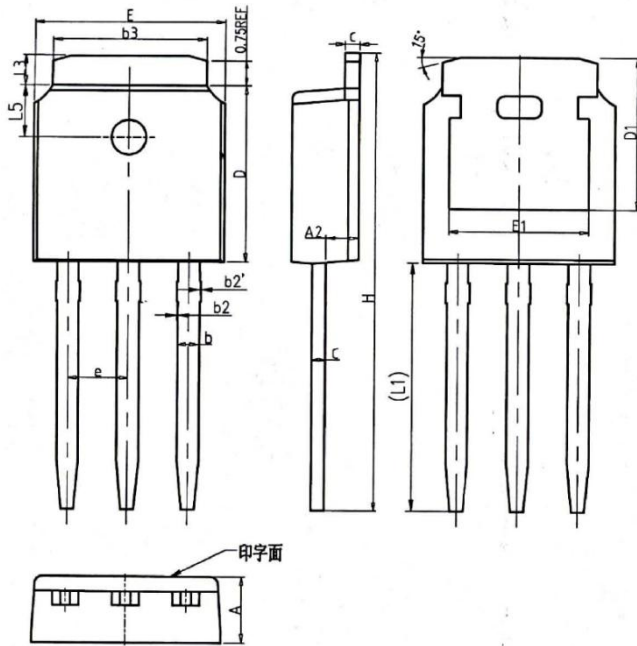


Figure 11. Diode Recovery Circuit & Waveform

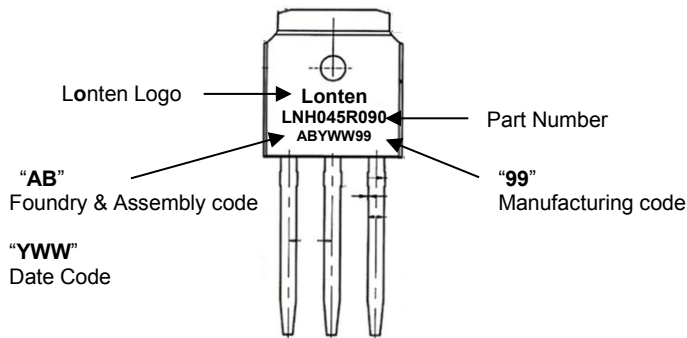


**Mechanical Dimensions for TO-251**

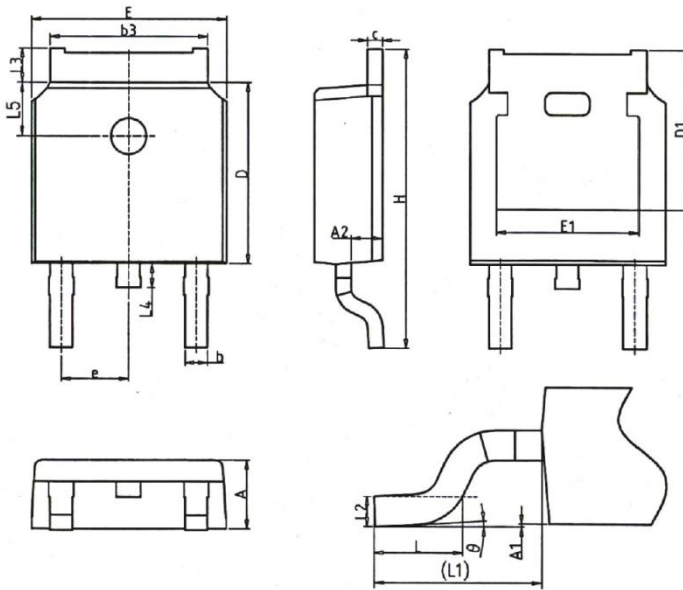


COMMON DIMENSIONS						
SYMBOL	MM			INCH		
	MIN	NOM	MAX	MIN	NOM	MAX
A	2.20	2.30	2.38	0.087	0.091	0.094
A2	0.97	1.07	1.17	0.038	0.042	0.046
b	0.68	0.78	0.90	0.027	0.031	0.035
b2	0.00	0.04	0.10	0.000	0.002	0.004
b2'	0.00	0.04	0.10	0.000	0.002	0.004
b3	5.20	5.33	5.46	0.205	0.210	0.215
c	0.43	0.53	0.61	0.017	0.021	0.024
D	5.98	6.10	6.22	0.235	0.240	0.245
D1	5.30REF			0.209REF		
E	6.40	6.60	6.73	0.252	0.260	0.265
E1	4.63	-	-	0.182	-	-
e	2.286BSC			0.090BSC		
H	16.22	16.52	16.82	0.639	0.650	0.662
L1	9.15	9.40	9.65	0.360	0.370	0.380
L3	0.88	1.02	1.28	0.035	0.040	0.050
L5	1.65	1.80	1.95	0.065	0.071	0.077

**TO-251 Part Marking Information**

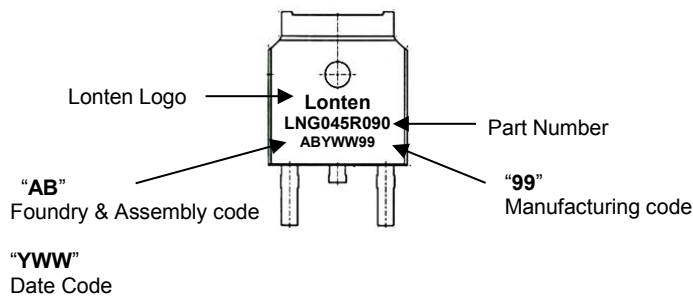


**Mechanical Dimensions for TO-252**

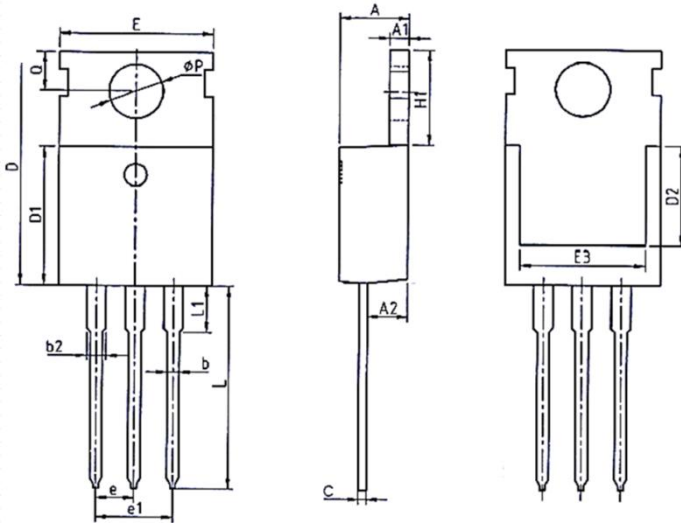


COMMON DIMENSIONS						
SYMBOL	MM			INCH		
	MIN	NOM	MAX	MIN	NOM	MAX
A	2.20	2.30	2.38	0.087	0.091	0.094
A1	0.00	-	0.20	0.000	-	0.008
A2	0.97	1.07	1.17	0.038	0.042	0.046
b	0.68	0.78	0.90	0.027	0.031	0.035
b3	5.20	5.33	5.46	0.205	0.210	0.215
c	0.43	0.53	0.61	0.017	0.021	0.024
D	5.98	6.10	6.22	0.235	0.240	0.245
D1	5.30REF			0.209REF		
E	6.40	6.60	6.73	0.252	0.260	0.265
E1	4.63	-	-	0.182	-	-
e	2.286BSC			0.090BSC		
H	9.40	10.10	10.50	0.370	0.398	0.413
L	1.38	1.50	1.75	0.054	0.059	0.069
L1	2.90REF			0.114REF		
L2	0.51BSC			0.020BSC		
L3	0.88	-	1.28	0.035	-	0.050
L4	0.50	-	1.00	0.020	-	0.039
L5	1.65	1.80	1.95	0.065	0.071	0.077
θ	0°	-	8°	0°	-	8°

**TO-252 Part Marking Information**

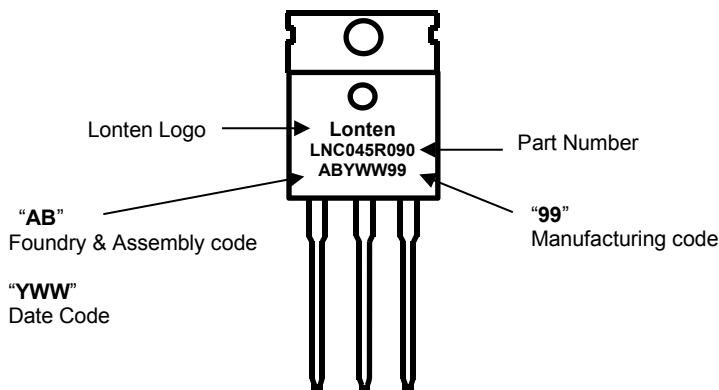


**Mechanical Dimensions for TO-220**



SYMBOL	COMMON DIMENSIONS					
	MM			INCH		
	MIN	NOM	MAX	MIN	NOM	MAX
A	4.37	4.57	4.70	0.172	0.180	0.185
A1	1.25	1.30	1.40	0.049	0.051	0.055
A2	2.20	2.40	2.60	0.087	0.094	0.102
b	0.70	0.80	0.95	0.028	0.031	0.037
b2	1.17	1.27	1.47	0.046	0.050	0.058
c	0.45	0.50	0.60	0.018	0.020	0.024
D	15.10	15.60	16.10	0.594	0.614	0.634
D1	8.80	9.10	9.40	0.346	0.358	0.370
D2	5.50	-	-	0.217	-	-
E	9.70	10.00	10.30	0.382	0.394	0.406
E3	7.00	-	-	0.276	-	-
e	2.54BCS			0.1BSC		
e1	5.08BCS			0.2REF		
H1	6.25	6.50	6.85	0.246	0.256	0.270
L	12.75	13.50	13.80	0.502	0.531	0.543
L1	-	3.10	3.40	-	0.122	0.134
ØP	3.40	3.60	3.80	0.134	0.142	0.150
Q	2.60	2.80	3.00	0.102	0.110	0.118

**TO-220 Part Marking Information**





---

**Disclaimer**

The content specified herein is for the purpose of introducing LONTEN's products (hereinafter "Products"). The information given in this document shall in no event be regarded as a guarantee of conditions or characteristics. Examples of application circuits, circuit constants and any other information contained herein illustrate the standard usage and operations of the Products. The peripheral conditions must be taken into account when designing circuits for mass production.

LONTEN does not assume any liability for infringement of patents, copyrights, or other intellectual property rights of third parties by or arising from the use of the Products or technical information described in this document.

The Products are not designed or manufactured to be used with any equipment, device or system which requires an extremely high level of reliability the failure or malfunction of which may result in a direct threat to human life or create a risk of human injury (such as a medical instrument, transportation equipment, aerospace machinery, nuclear-reactor controller, fuel-controller or other safety device). LONTEN shall bear no responsibility in any way for use of any of the Products for the above special purposes.

Although LONTEN endeavors to improve the quality and reliability of its products, semiconductor products have specific characteristics such as the occurrence of failure at a certain rate and malfunctions under certain use conditions. Please be sure to implement safety measures to guard them against the possibility of physical injury, and injury or damage caused by fire in the event of the failure of a LONTEN product.

The content specified herein is subject to change for improvement without notice. When using a LONTEN product, be sure to obtain the latest specifications.