

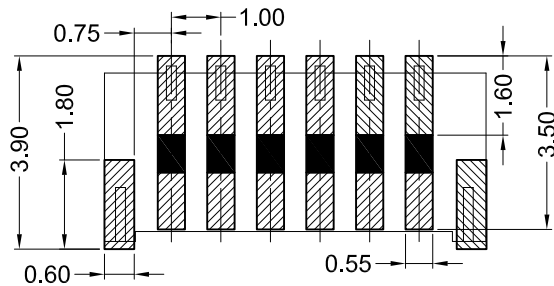
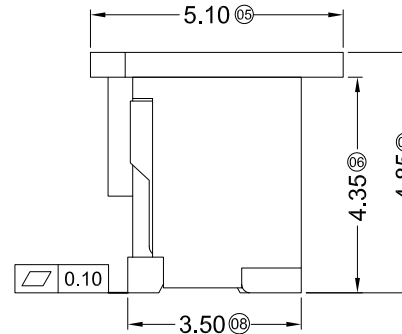
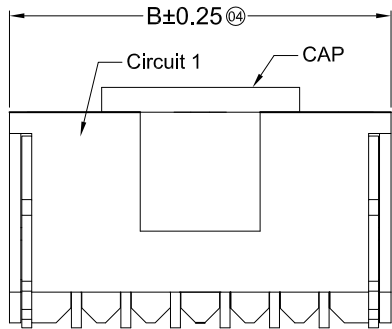
Specifications :

- Voltage rating: 125V AC / DC
- Current rating: 1A AC / DC
- Withstanding voltage: 500V AC/minute
- Temperature range: -25°C~+85°C
- Insulation resistance: ≥100MΩ
- Contact resistance: ≤20mΩ
- After environmental testing: ≤40mΩ

X1002 W V S-XX B-XX XX XX

(1) (2) (3) (4) (5) (6) (7) (8) (9)

- (1) Series No.
- (2) Category: W-wafer
- (3) Welding Board Angle: V-Stright Angle 180°
- (4) Welding Way: S-SMT
- (5) Row No.-Pin No.: XX-02P~20P
- (6) Plug the Pin & Special NO:
B-With ultra-thin and With Lock;
HF-Halgen Free
- (7) Material: 9T-PA9T ; HT-HTN 6T ; 1T-PA10T
- (8) Planting Category:
SN-Bright tin plating 70"Min. ;30" Ni
SW-Matte Tin plating 70"Min. ;30" Ni
- (9) Color: Blank-Natural color



Recommended P.C.B Layout
General Tolerance±0.05

Poles	Dimensions(mm)			Poles	Dimensions(mm)		
	A	B	C		A	B	C
02	1.00	3.70	2.50	12	11.00	13.70	12.50
03	2.00	4.70	3.50	13	12.00	14.70	13.50
04	3.00	5.70	4.50	14	13.00	15.70	14.50
05	4.00	6.70	5.50	15	14.00	16.70	15.50
06	5.00	7.70	6.50	16	15.00	17.70	16.50
07	6.00	8.70	7.50	17	16.00	18.70	17.50
08	7.00	9.70	8.50	18	17.00	19.70	18.50
09	8.00	10.70	9.50	19	18.00	20.70	19.50
10	9.00	11.70	10.50	20	19.00	21.70	20.50
11	10.00	12.70	11.50				

X1002WVS-XXBF-9TSW	PA9T UL 94V-0	Phorphos Brone	Matte Tin Plating	1002H-B
X1002WVS-XXB-1TSW	PA10T UL 94V-0			
X1002WVS-XXB-HTSW	HTN PA6T UL 94V-0		Tin-Plated	
X1002WVS-XXB-9TSW	PA 9T UL 94V-0			
X1002WVS-XXB-9TSN	PA 9T UL 94V-0			
PART NO	Material (Wafer And Cap)	Material (Pin And Solder Tabs)	Finish (Pin And Solder Tabs)	Suitable XKB Terminal

For and on behalf of
XKB INDUSTRIAL PRECISION CO., LIMITED
香港星坤工業精密有限公司

MARK	DESCRIPTION	DATE	REVISED	APPROVED	UNSPECIFIED TOLERANCES
△ X					ANGULAR ±5°
△ X					L ≤ 4 ±0.2
△ X					4 < L ≤ 16 ±0.3
					16 < L ≤ 63 ±0.4
					L > 63 ±0.5
REVISIONS					
Authorized Signature(s)					

DSND	DATE	SCALE: N/A	MODEL TYPE: X1002WVS-XXB-XXXX
DWN	DATE	VIEW:	PART NO.:
CHKD	DATE	UNIT: mm	1.00 mm Crimp Style Connectors
APPD	DATE	SIZE: A4	DWG NO.:
			WEIGHT 1.0g
			SHEET 1/1
			REVISION A0

XKB INDUSTRIAL PRECISION CO., LIMITED