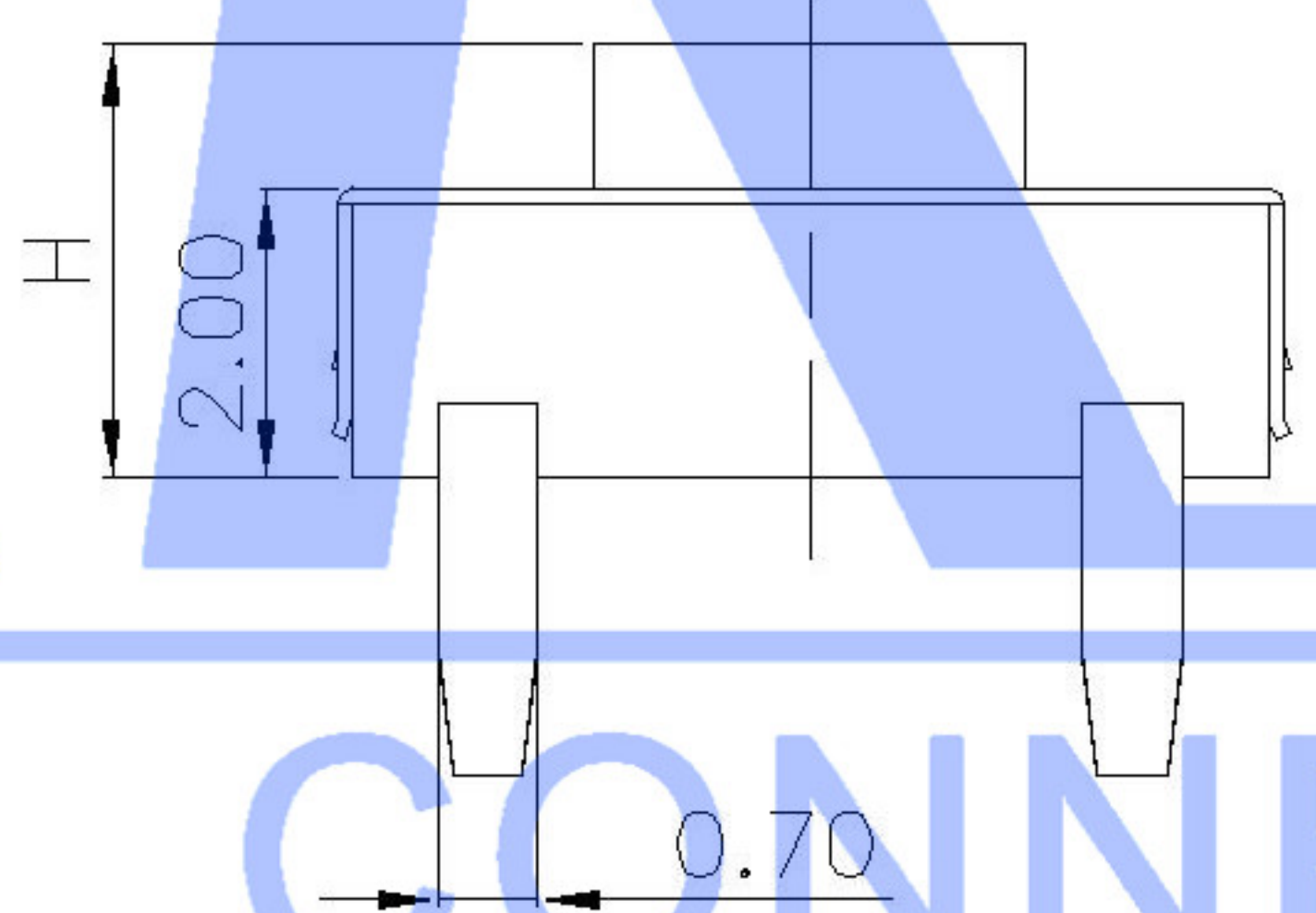
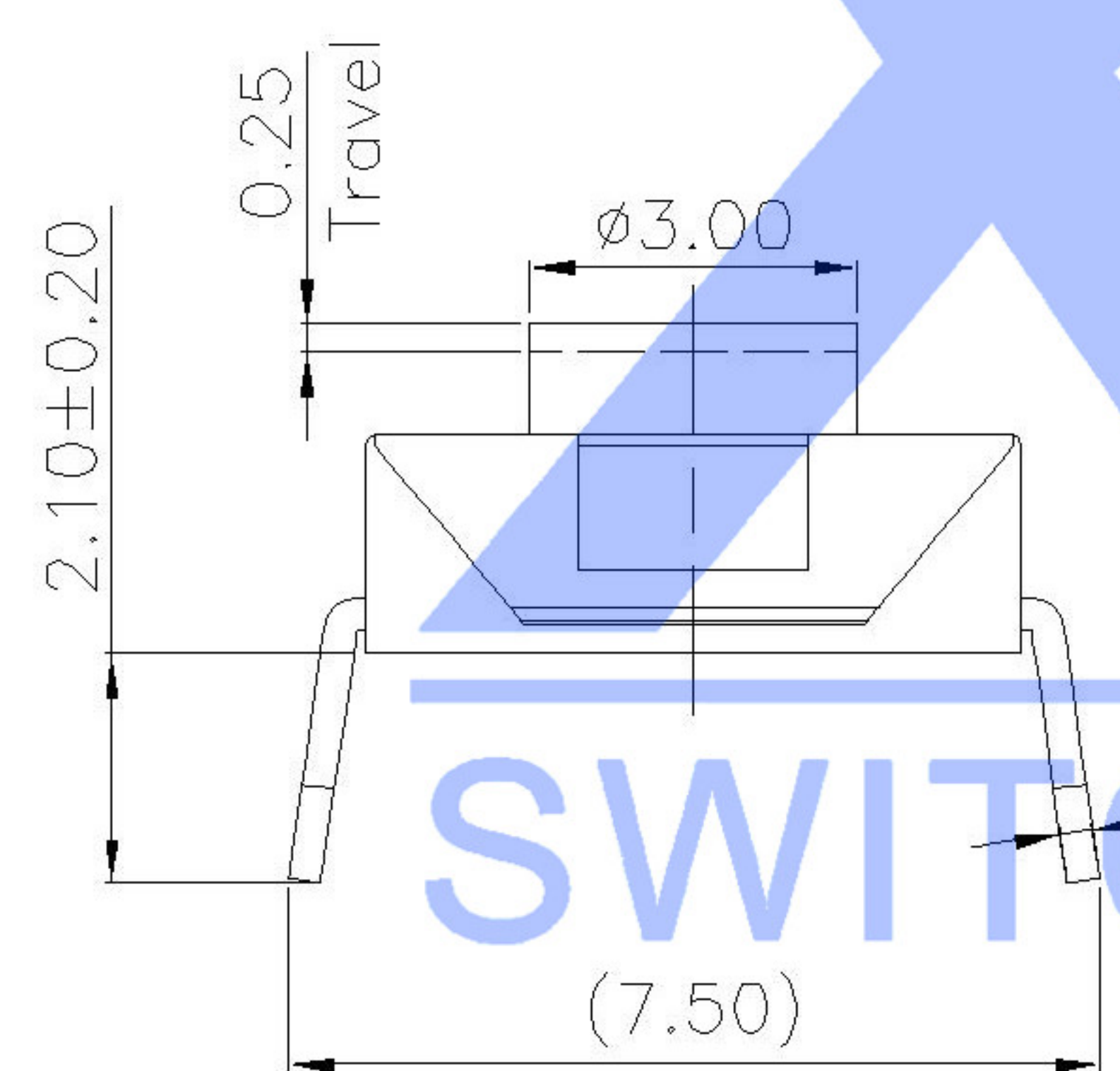


Circuit Diagram

Code-X	H
A	2.5
B	3.2
C	3.4
D	5.5

PCB Layout(Pattern side)



SPECIFICATION

Contact Rating: 50mA, 12V DC
 Contact Resistance: 100mΩ max
 Insulation Resistance: 100mΩ min. 500V DC
 Dielectric Strength: 250V AC/1minute
 Travel: 0.25mm
 Operating Temp: -30°C ~ +85°C
 Storage Temp: -30°C ~ +80°C

SWITCH CONNECTOR

PAPT NO	TC-1157-X-X
Operating Force	A: 100gf B: 160gf C: 260gf
Height	Code-X

⑤	Terminal	—	4	Brass (0.30t)	Plating silvering	—
④	Contact	—	1	F.ag/Sus	Natural	—
③	Base	—	1	Pa46		—
②	Cover	—	1	Spcc	Plating Nickel	—
①	Keystake	—	1	Pa46		—
ITEM	PAPT NAMF	TER.NO	QTY	MATERIAL	FINISHING	REMARK

					units: mm	DSND		DATE		SCALE: N/A	MODEL TYPE: TACT SWITCH		
					tolerance:	DWN		DATE		VIEW:	PART NO.:		
Δx					X.X ±0.2mm	CHKD		DATE		UNIT: mm	DWG NO.: TC-1157-X-X		
Δx					X.XX ±0.1mm	APPD		DATE		SIZE: A4			
Δx					X.XXX ±0.05mm						WEIGHT	SHEET	REVISION
MARK	DESCRIPTION	DATE	REVISED	APPROVED	UNSPECIFIED TOLERANCES	XKB INDUSTRIAL PRECISION CO., LIMITED					1.0g	1/1	A0
										www.xk-dg.cn www.helloxkb.com www.helloxkb.cn			