

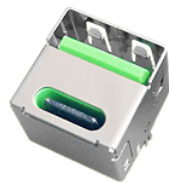
CONNECTORS

Operation: 2.0USB+2.0Type-C(14PIN)/二合一 直立式 连接器



LTEM NO.: MU-221 (Series)

(L7.85×W10.00×H4.65 2.0-USB-CONNECTORS)



表面插装 DIP

垂直操作

精密部品 NICETY

可靠 STABILIZE

適合環保 RoHS

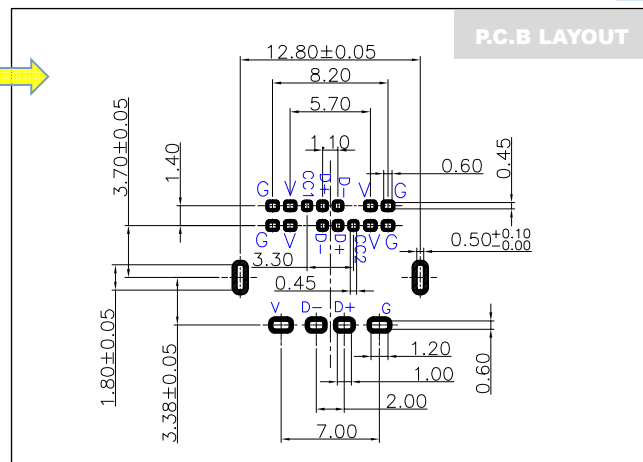
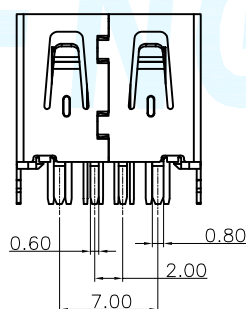
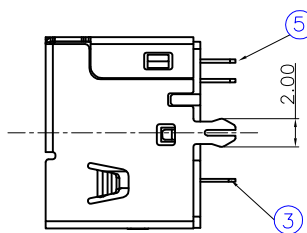
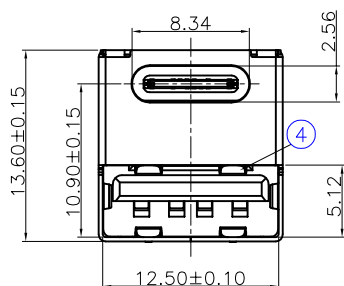
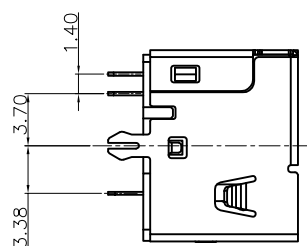
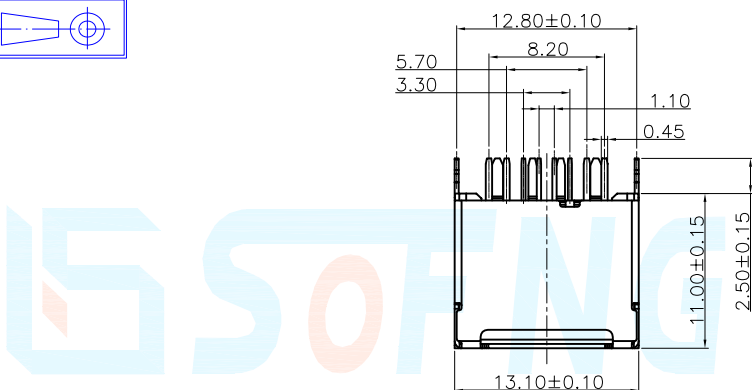
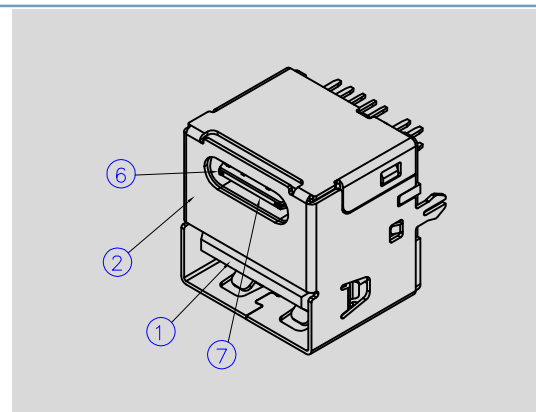
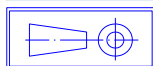
Technical parameter

LEVEL		A[better product]	B[average product]
PROJECT			
	Contact Rating	5.0A(VBUS 5.0A & GND 0.25A), 20V AC	
Electrical	Initial Contact Resistance	100mΩ max.	
Properties	Insulation Resistance	100MΩ min.500V DC	Skey/PD: 100MΩ min.300V DC
	Withstand Voltage	200V AC for 1 minute	100 V AC for 1 minut
Durable Performance	There No Load	6,000 Cycles	5,000 Cycles
	Rated Load	5,000 Cycles	4,000 Cycles
	Storage temp.	-30℃~+85℃(Operating Temp:)	
	Operating Force	IF:10.0N MAX. (EF:10.0N MIN.)	
	Heat Rrsistance	IR Reflow:255℃,5sec. Manual:350℃,3sec.	

Material declaration

No.	NAME	Description
①	USB 胶芯 Body	LCP 30%(Gray) 耐热塑胶 UL94V-0
②	Shell 外壳	不锈钢 SUS304R-3/4H t=0.30mm
③	USB 端子	磷铜 C5191(镀金 1u" /焊尾雾锡)
④	USB CLIP 压片	不锈钢 SUS304R-3/4H t=0.30mm
⑤	TYPE C 端子	磷铜 C5191(镀金 1u" /焊尾雾锡)
⑥	TYPE C 中芯片	不锈钢 SUS304R-3/4H t=0.20mm
⑦	TYPE C 胶芯	LCP 30%(Gray) 耐热塑胶 UL94V-0

Unit:mm



DECIMALS	ANGLES
.X :±0.25	X." :±1.5°
.XX :±0.15	X.X" :±1.0°
.XXX :±0.10	.XXX" :±0.5°