

■ Features

- Low profile construction and miniature size.
- Magnetic shielded construction.
- High current saturation.
- Operating temperature:-40°C ~ +125°C.
- RoHS compliant

■ Applications

- For small DC/DC converter(HDD,DVC,DSC,PDA,LCD display etc.).
- Car navigation systems,telecom base stations.
- VR,AR,LED lighting.

■ Product Identification



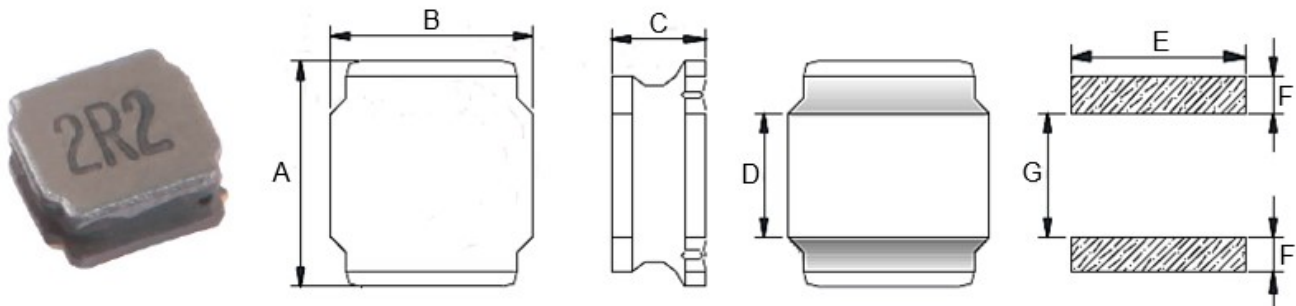
(1) : Type

(2) : Dimensions

(3) : Inductance value

(4) : Inductance Tolerance; N=±30%,M=±20%, K=±10%

■ Shapes and Dimensions (Unit: mm)



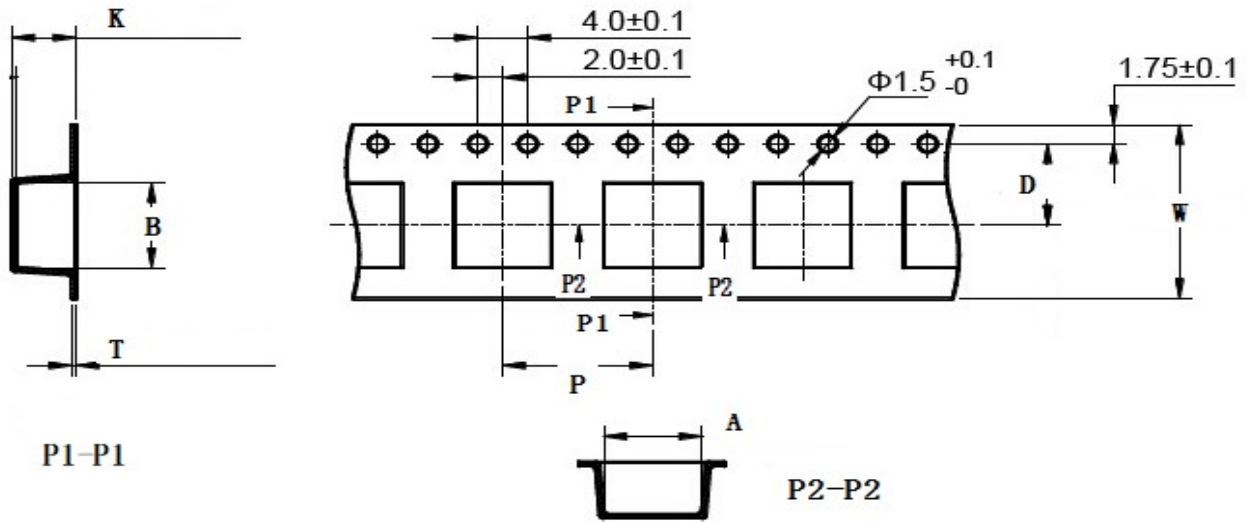
TYPE	A	B	C Max.	D	E Ref.	F Ref.	G Ref.
YNR4010	4.0±0.2	4.0±0.2	1.00	0.95±0.2	3.70	1.10	1.90

■ YNR4010 Series

Part Number	Inductance (uH) @100KHz	DC Resistance (Ω)		Heat Rating Current (A)	Saturation Current (A)
		Typ.	Max.		
YNR4010-1R0□	1.00	0.056	0.067	1.90	2.00
YNR4010-1R5□	1.50	0.070	0.084	1.70	1.68
YNR4010-2R2□	2.20	0.085	0.102	1.50	1.20
YNR4010-3R3□	3.30	0.100	0.120	1.40	1.10
YNR4010-4R7□	4.70	0.140	0.168	1.20	0.95
YNR4010-6R8□	6.80	0.200	0.240	1.00	0.80
YNR4010-100□	10.0	0.300	0.360	0.75	0.62
YNR4010-150□	15.0	0.430	0.516	0.60	0.54
YNR4010-220□	22.0	0.570	0.684	0.50	0.45

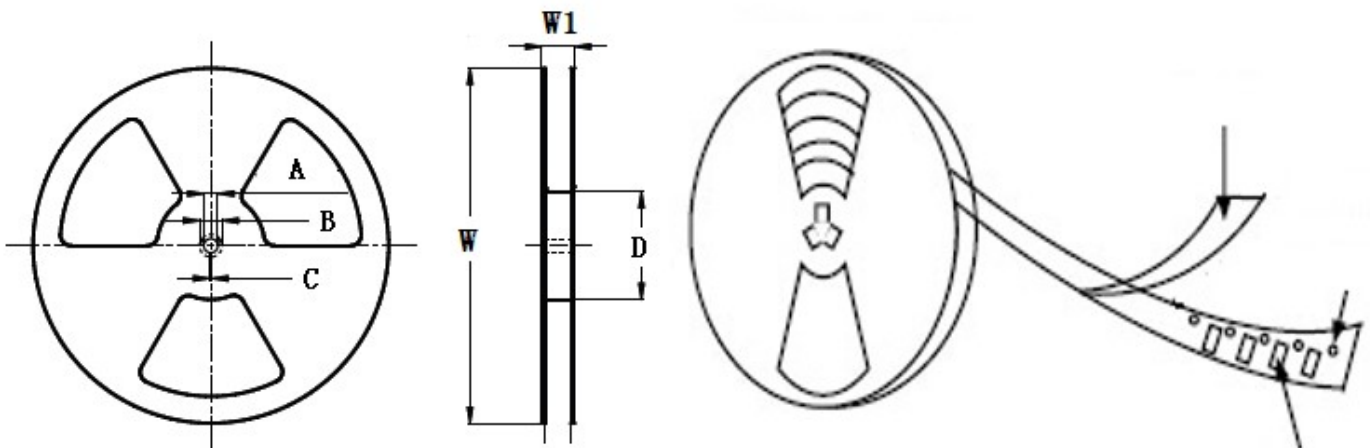
- ※ The saturation current value is the DC current value having inductance decrease down to 30%. (at 20°C)
- ※ The temperature rise current value is the DC current value having temperature increase up to 40°C. (at 20°C)
- ※ The rated current is the DC current value that satisfies both of current value saturation current value and temperature rise current value.

■ Taping Dimensions(Unit:mm)



TYPE	Chip Thickness	W	A	B	D	P	K Max	T Max	MPQ
YNR4010	1.00	12.0	4.30	4.30	5.50	8.00	1.40	0.35	4500

■ Reel Dimensions(Unit:mm)

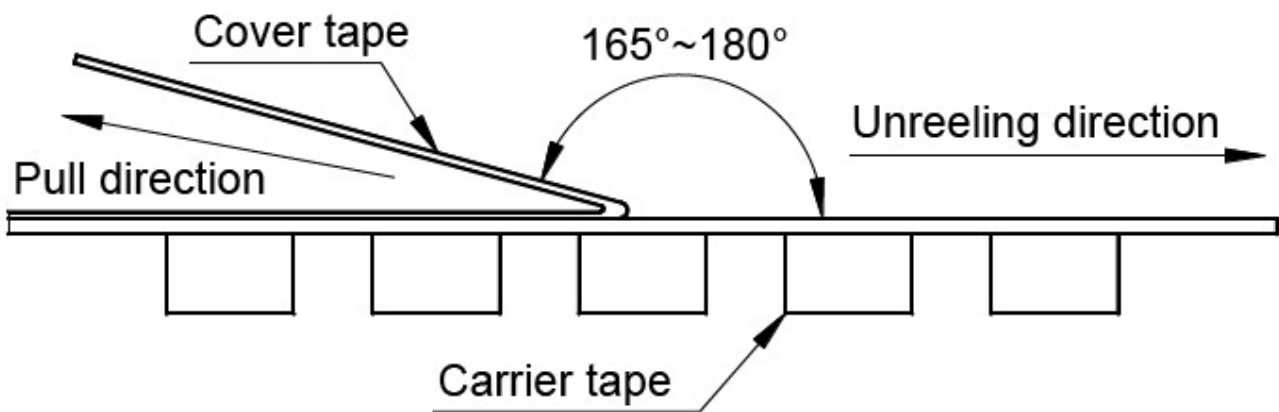


TYPE	W	W1	A	B	C	D
YNR4010	330±2.0	12.8±1.50	13.0±0.50	21.0±0.80	2.0±0.50	100 Min

Direction of rolling



Cover tape peel off condition



Cover tape peel force shall be 0.1N to 1.3N.

Reference peel speed 300 ± 10 mm/min.