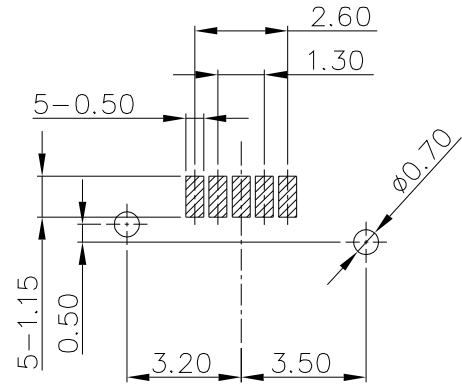
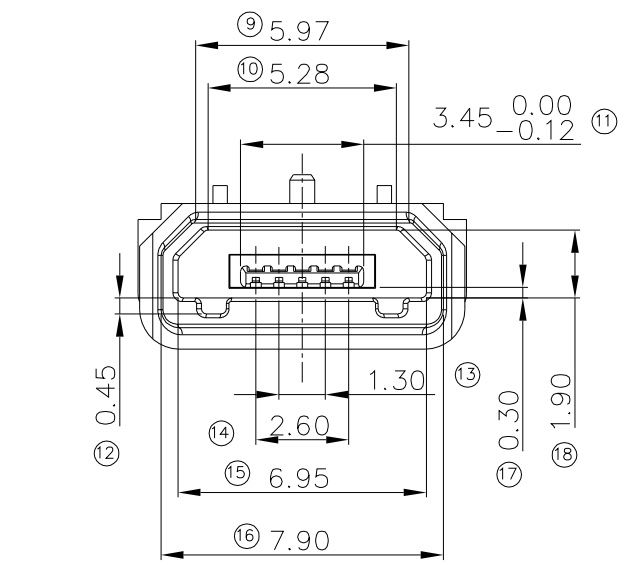
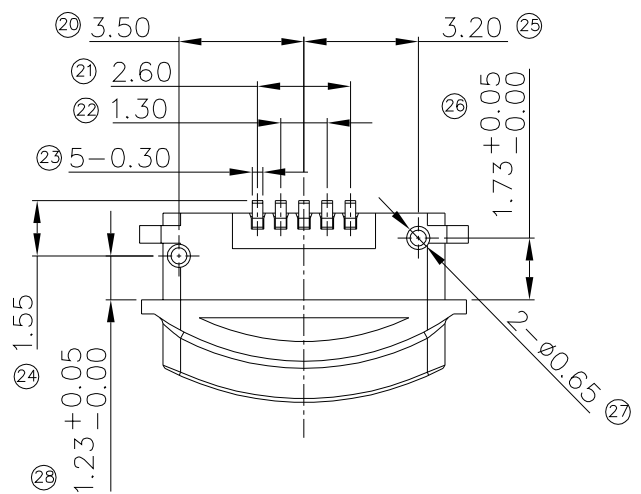
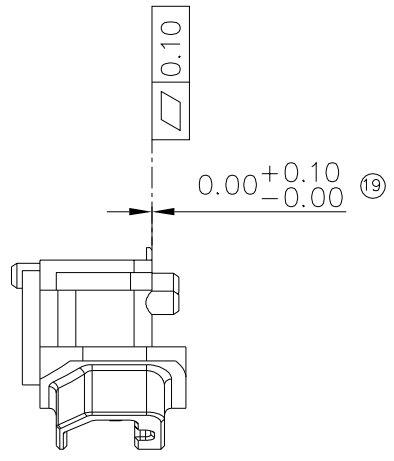
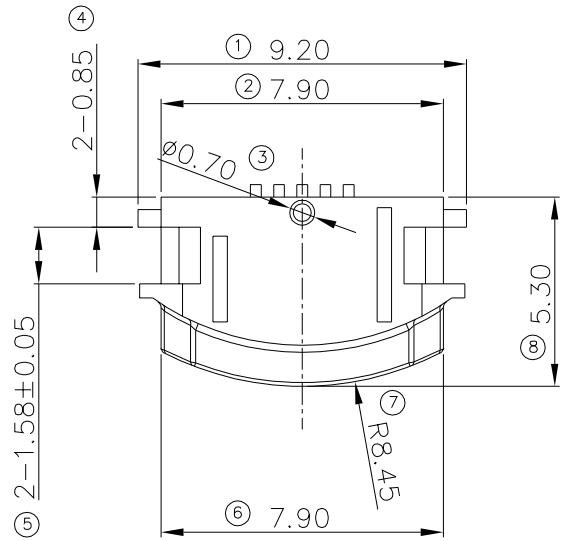


REV.	DATE	MODIFICATION	APPROVER
A0	2018.03.21	NEW	Jason



RECOMMENDED P.C BOARD LAYOUT (TOP VIEW)  
 TOLERANCES UNLESS OTHERWISE SPECIFIED ±0.05  
 ▨ PAD AREA

- NOTE:
- Materials:
    - Housing :LCP UL94V-0;
    - Contact:C5191;Nickel groud Gold Plated 1u”;
    - Cover :PA9T UL94V-0;
  - Performance:
    - Current rating:1.0A;
    - Contact resistance:30mΩ MAX;
    - Insulation resistance:1000MΩ MIN 500V DC;
    - Withstand voltage: 250V AC;
    - Solderability:temperature235±5°C,time5±0.5s;
    - Retention force:0.5N MIN;
    - Mating force:14N MAX,Un-mating force:1.5N MIN;
    - life:5000cycles;
    - Resistance to heat:over test:  
temperature250±5°C,time 2 minutes;
    - Operating temperature:-30°C~+80°C.

GENERAL TOLERANCE			UNITS mm	NAME: MICRO USB 5P	深圳市爱特姆科技有限公司 SHENZHEN ATOM TECHNOLOGY CO.,LTD.			
SELECT	✓					MAT'L	PART NO: USB205FB-C1005208	TITLE: MICRO USB 5P FEMALE SMT B TYPE 带定位柱 防水型
TOL	1	2	3	FINISH	APPD: Jason		DWG NO. ATOM-A03818	
DN.	X.XXX	±0.10±0.05±0.15			Q'TY	CHKD:	SCALE 1:1	SHEET 1 OF 1
	X.XX	±0.15±0.13±0.25		DR: LiuDan 2018.03.21				
	X.X	±0.20±0.25±0.5						
	X.	±0.30±0.38±1.00						
ANGLE	±2°							