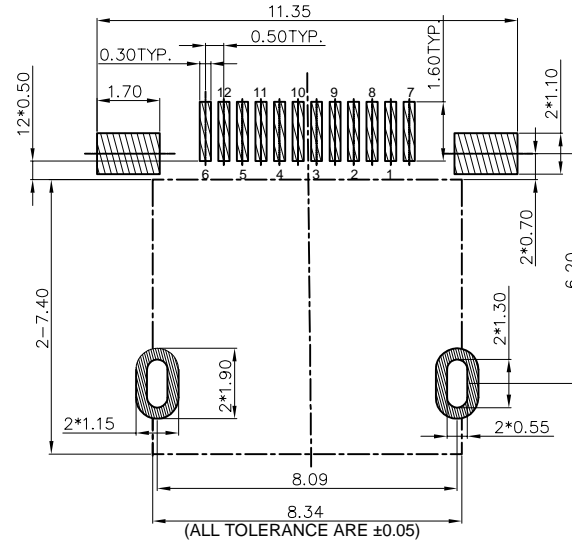
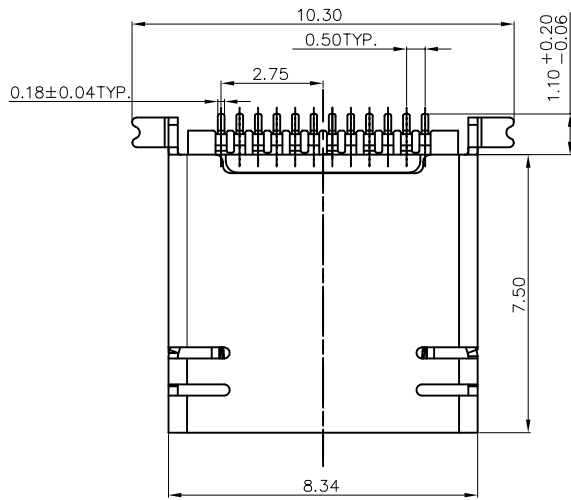
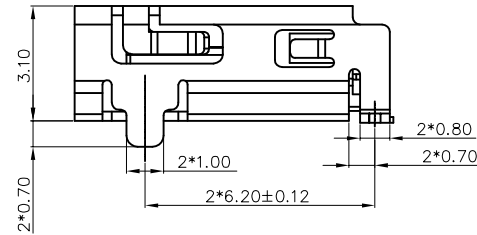
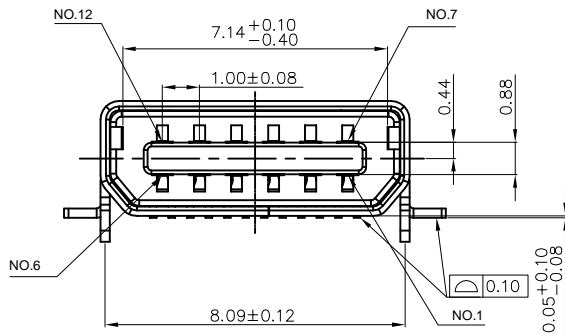
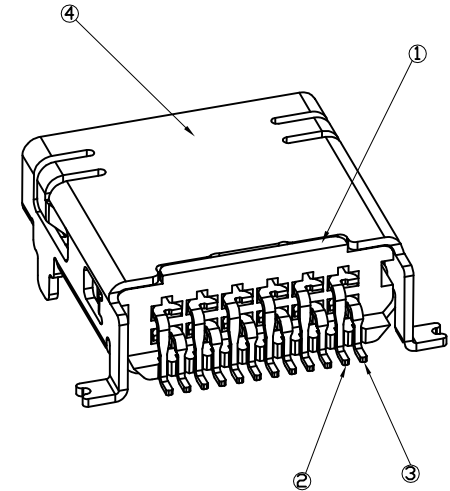


REV	DATE	ECN NO.	MODIFICATION	APPROVER
A	2016/04/08		NEW	Jason



RECOMMENDED PCB LAYOUT



N.O	PART NAME	Q'TY	DESCRIPTION
1	HOUSING	1	HIGH TEMPERATURE THERMOPLASTIC. (UL94-V0), BLACK
2	UPPER CONTACT	6	COPPER ALLOY T=0.15mm UNDER PLATED 50u"MIN NICKEL OVER ALL, Gold OVER ALL
3	UNDERSEAM CONTACT	6	COPPER ALLOY T=0.15mm UNDER PLATED 50u"MIN NICKEL OVER ALL, Gold OVER ALL
4	SHELL	1	COPPER ALLOY T=0.25mm UNDER PLATED 50u"MIN NICKEL OVER ALL, TiN OVER ALL

NOTE:

- 1.Insert and extract at the speed of 25mm/minute
Plug insertion force:2.40kg MAX, extraction force:0.2kg MIN.
- 2.Durability:5000 cycles
- 3.Insulation resistance: 1000MΩ Min. at 500 V DC(After Testing)
- 4.contact resistance: 50mΩ Max.
- 5.Withstanding voltage:500V(r.m.s.)AC for one minute
- 6.rating current:0.5A
- 7.Operating temperature: -40℃~ +85℃
- 8.Storage temperature: -40℃~ +85℃
9. Ambient Humidity Range :85% R.H. Max

GENERAL TOLERANCE				UNITS mm		
SELECT	TOL	1	2	3	MATERIAL	FINISH
DN.						
X.XXX		±0.10	±0.05	±0.15	Q'TY	ANGLE
X.XX		±0.15	±0.13	±0.25		
X.X		±0.20	±0.25	±0.5		
X.		±0.30	±0.38	±1.00		
		±2°				

NAME:	MINI USB 12P
PART NO:	USB112FD-C10132XX
APPD:	
CHKD:	
DR:	JACK

深圳市爱特姆科技有限公司 SHENZHEN ATOM TECHNOLOGY CO., LTD.		
TITLE: MINI USB 12P FEMALE SMT 前插后贴		
DWG NO. ATOM-A02978		
SCALE	SHEET	REV
1:1	1/1	A