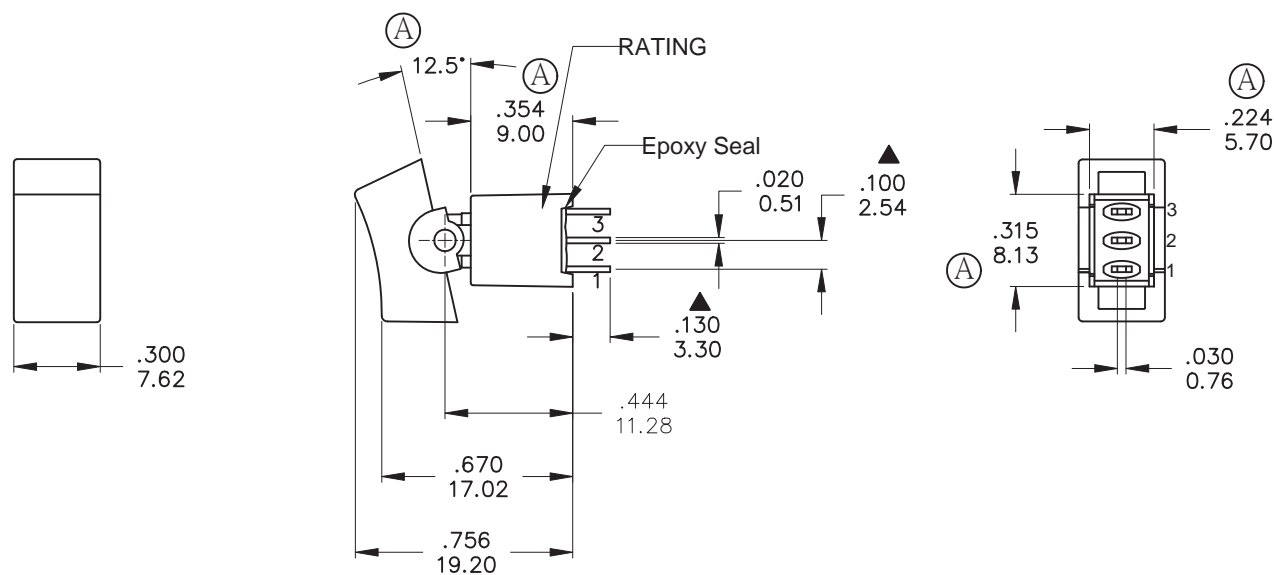
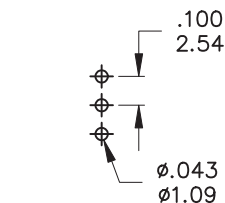
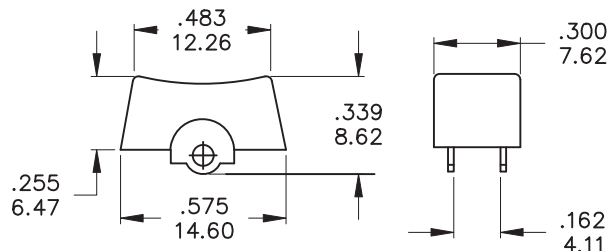
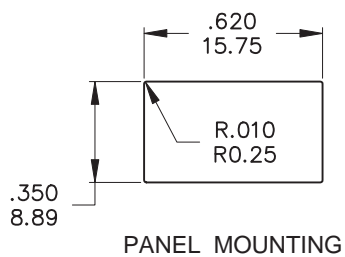


本公司智慧財產，未經同意不得複製
DAILYWELL copyright, may not be used
without permission from DAILYWELL



Model No.	POS.1	POS.2	POS.3
4AS1	ON	NONE	ON
Term. Comm.	2-3	N/A	2-1
SCHEMATIC			

SWITCH FUNCTION



SPECIFICATIONS

MECHANICAL LIFE: 30,000 make-and-break cycles.
CONTACT RESISTANCE: 20 mΩ max. initial @ 2-4VDC
 100mA for both silver and gold plated contacts.
INSULATION RESISTANCE: 1,000 MΩ min.
DIELECTRIC STRENGTH: 1,000 Vrms min. @sea level.
OPERATING TEMPERATURE: -30°C to 85°C.

MATERIALS

CASE & BUSHING - Glass filled nylon 6/6, retardant, heat stabilized(UL94V-0)
ACTUATOR - Nylon, black std. Internal O-ring seal standard with all actuators.
TERMINALS/CONTACT - Copper.
RoHS & Lead Free

	CONTACT PLATING	TERMINAL PLATING	RATINGS
Q	Silver	Q = Gold flash over silver	3 Amps @120 VAC or 28VDC 1 Amps @250 VAC
S		S = Gold flash over silver,pure-tin	
C	Gold over Silver	C = Gold over silver	
K		K = Gold over silver,pure-tin	
R	Gold	R = Gold	0.4 Volt-Amps(VA) max. @20V max. (AC or DC)
G		G = Gold,pure-tin	

德利威電子股份有限公司
DAILYWELL ELECTRONICS CO.,LTD.

	符號	原尺寸	修改後尺寸	變更日期	SCALE (比例) : 3 : 2	TITLE 圖名	SIZE 圖紙	
1	Ⓐ	新增尺寸並修正8.00為8.13		DEC-06-2016	TOLERANCE (公差) : 0.00 mm ± 0.25mm 0.0 mm ± 0.40mm ANGULAR : ± 5° FILE NAME : 4ASP0083	Sealed Sub - Miniature Rocker Switches	A4	
2	Ⓑ					DWG NO. 圖號	UNIT 單位	inch mm
3	Ⓒ					REV. 版本	DATE 日期	SHEET 張數
4	Ⓓ					CHECKED BY 審核	JUL - 17 - 2006	1 of 1
5	Ⓔ					陳燈財	DRAWN BY 製圖	BLUE