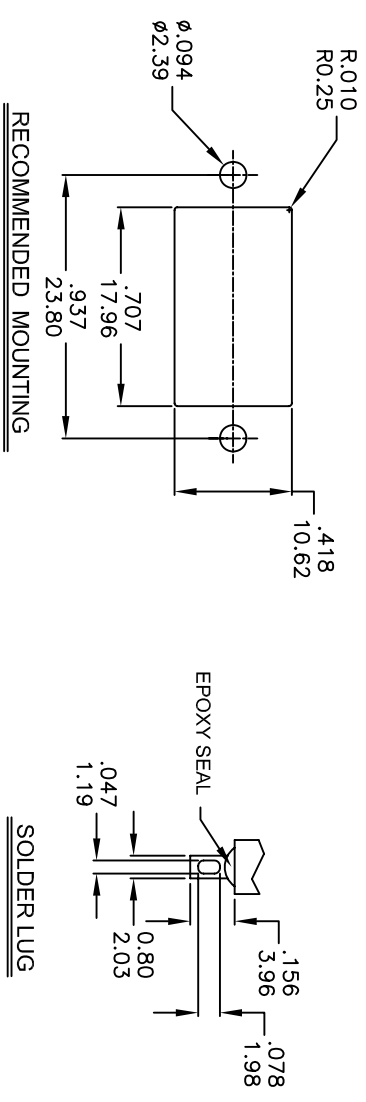
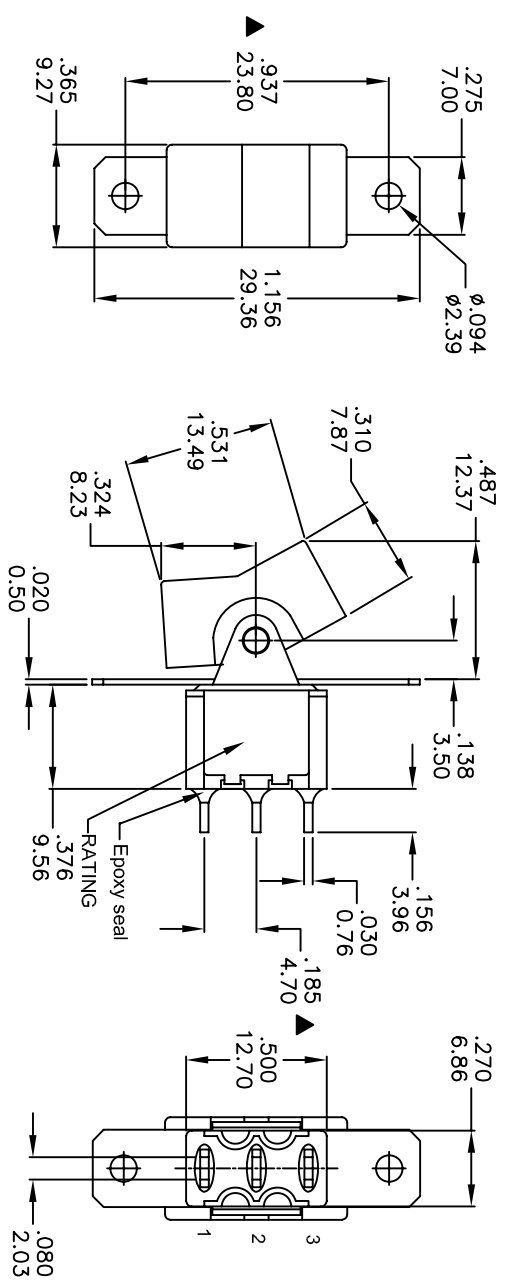


本公司智慧財產，未經同意不得複製
 DAILYWELL copyright, may not be used
 without permission from DAILYWELL



SPECIFICATIONS
MECHANICAL LIFE: 40,000 make-and-break cycles.
CONTACT RESISTANCE: 10mΩ max. initial @ 2-4VDC
 100mA for both silver and gold plated contacts.
INSULATION RESISTANCE: 1,000MΩ min.
DIELECTRIC STRENGTH: 1,000 V RMS@sea level.
OPERATING TEMPERATURE: -30°C to 85°C.

MATERIALS
CASE: Diallyl phthalate (DAP) (UL94V-0).
ACTUATOR: Nylon, black std.
BUSHING: Brass, nickel plated.
HOUSING: Stainless Steel.
SWITCH SUPPORT: Brass, Tin plated.
TERMINAL/CONTACT: Brass, Silver or gold plated.
ROHS: 2002/95/EC

RATING :

R : 0.4 Volt-Amps(VA) max. @20V max. (AC or DC)
 Q : 2Amps @250VAC
 5Amps @120 VAC or 28 VDC

Model No.	POS.1	POS.2	POS.3
3MS1	ON	NONE	ON
Term. Comm.	2-3	N/A	2-1
SCHEMATIC		N/A	

SWITCH FUNCTION

符號	原尺寸	修改後尺寸	變更日期
1	(A)		
2	(B)		
3	(C)		
4	(D)		
5	(E)		

SCALE (比例) :	3 : 2
TOLERANCE (公差) :	0.00 mm ± 0.25mm
	0.0 mm ± 0.40mm
	ANGULAR : ±5°
FILE NAME :	3MSP0447

TITLE	Miniature Rocker & Paddle Switches			SIZE	A4
DWG NO.	3MS1R102M1QES			圖紙	
REV.	圖號	DATE	MAR - 23 - 2007	UNIT	inch
版本	A	日期		單位	mm
CHECKED BY	審核	RICHARD	DRAWN BY	製圖	FTON
				SHEET	1 of 1
				張數	

德利威電子股份有限公司
DAILYWELL ELECTRONICS CO.,LTD.