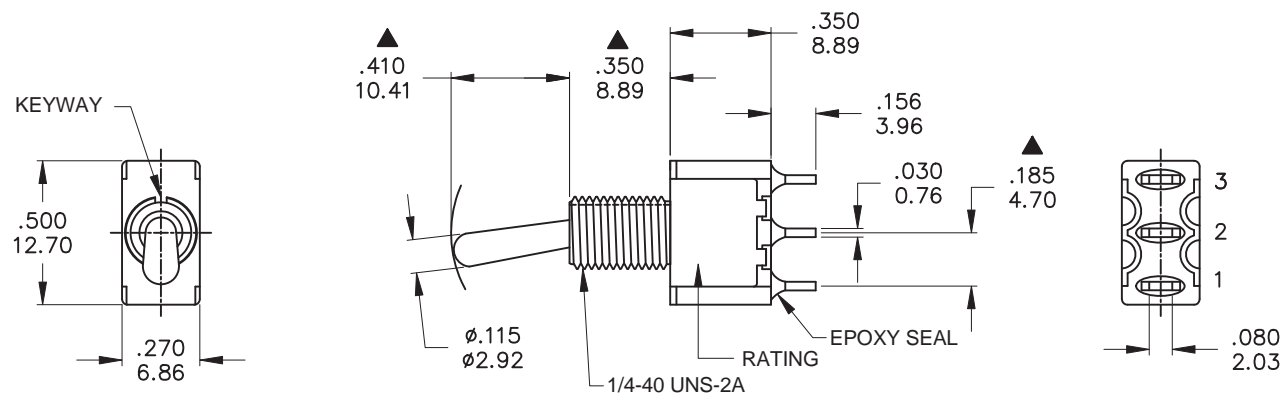


本公司智慧財產，未經同意不得複製
DAILYWELL copyright, may not be used
without permission from DAILYWELL

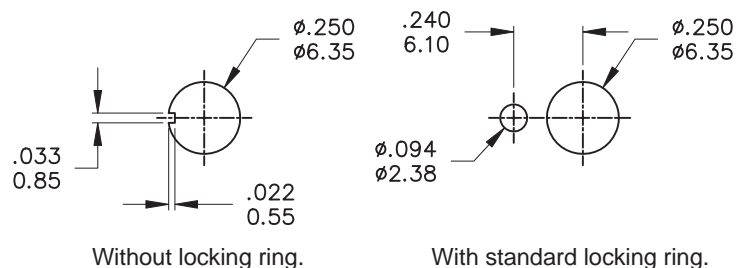


Model No.	POS.1	POS.2	POS.3
1MS1	ON	NONE	ON
Term. Comm.	2-3	N/A	2-1
SCHEMATIC			

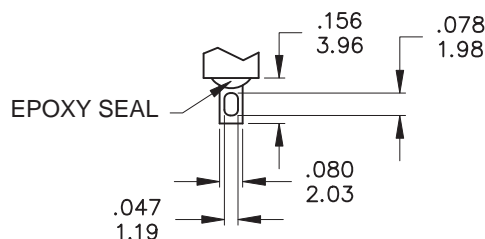
SWITCH FUNCTION

PART NO.	PART NAME	Q'TY
1	MNU-1M01A	1/4 INCH NUTS 2
2	MNU-1M02	LOCKING RING 1
3	MNU-1M03	LOCKING WASHER 1

FILE NAME:HARDWARE-0002



PANEL MOUNTING



SOLDER LUG



SPECIFICATIONS

MECHANICAL LIFE: 40,000 make-and-break cycles.
CONTACT RESISTANCE: 10 mΩ max. initial @ 2-4VDC
 100mA for both silver and gold plated contacts.
INSULATION RESISTANCE: 1,000 MΩ min.
DIELECTRIC STRENGTH: 1,000 Vrms min. @sea level.
OPERATING TEMPERATURE: -40°C to 85°C.

MATERIALS

CASE: Diallyl phthalate (DAP) (UL94v-0).
ACTUATOR: Brass,chrome plated.
BUSHING: Brass,nickel plated.
HOUSING: Stainless Steel.
TERMINAL/CONTACT: Copper alloy.
RoHS & Lead Free

	CONTACT PLATING	TERMINAL PLATING	RATINGS
Q	Silver	Q = Silver	5 Amps @120 VAC or 28VDC
C	Gold over Silver	C = Gold over silver	2 Amps @250 VAC
R	Gold	R = Gold	0.4 Volt-Amps(VA) max. @20V max. (AC or DC)

德利威電子股份有限公司
DAILYWELL ELECTRONICS CO.,LTD.

符號	原尺寸	修改後尺寸	變更日期	SCALE (比例) : 3 : 2	TITLE 圖名	Miniature Toggle Switches	SIZE 圖紙	A4		
1	Ⓐ	操作溫度-30°C 修訂為-40°C	OCT-18-2017	TOLERANCE (公差) : 0.00 mm ± 0.25mm 0.0 mm ± 0.40mm ANGULAR : ± 5° FILE NAME : 1MSP0694	DWG NO. 圖號	1MS1T1B1M1QES-5	UNIT 單位	inch mm		
2	Ⓑ				REV. 版本	B	DATE 日期	JAN - 17 - 2006	SHEET 張數	1 of 1
3	Ⓒ				CHECKED BY 審核		DRAWN BY 製圖		BLUE	
4	Ⓓ									
5	Ⓔ									