

FEATURES

- ※Miniature 2.9x3.5mm
- ※Vertical or side actuation
- ※Long operating life

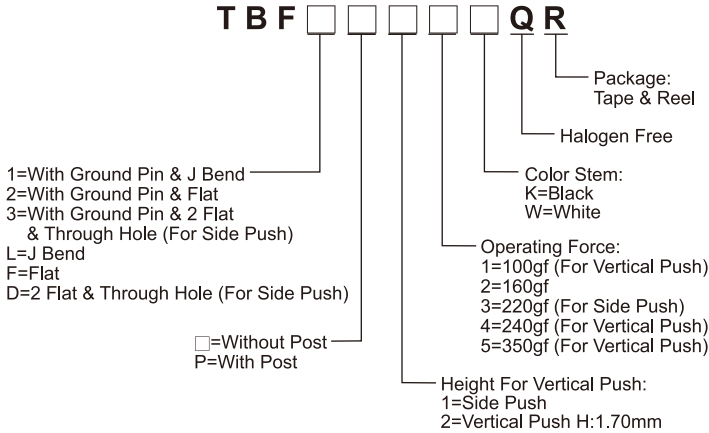
APPLICATION

- ※Mobile phone
- ※Consumer electronics
- ※Automotive

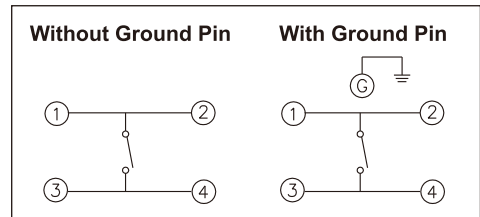
SPECIFICATION

Contact Rating	10μA, 2V DC to 20mA, 15V DC
Contact Resistance	100mΩ max.
Insulation Resistance	100MΩ min. 100V DC
Dielectric Strength	250V AC/1 minute
Operating Force	100±50/160±50/240±80/350±100gf (Vertical Push) 160+70/-40, 220+80/-70gf (Side Push)
Travel	0.15mm (Vertical Push) 0.20mm (Side Push)
Operating Life	100,000 cycles for Side Push 200,000 cycles for 160/240/350gf 1,000,000 cycles for 100gf (Vertical Push)
Operating Temp.	-40°C ~ +85°C
Storage Temp.	-40°C ~ +85°C

HOW TO ORDER



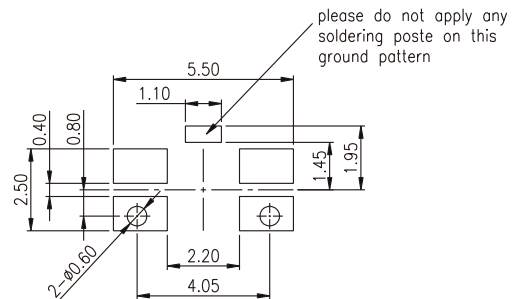
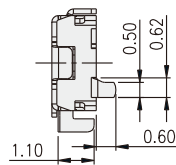
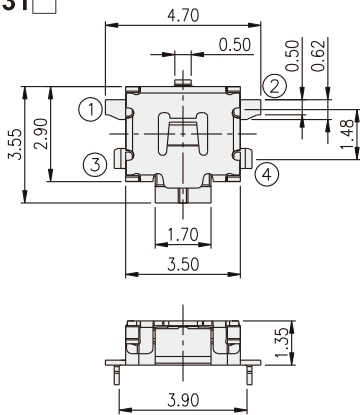
CIRCUIT



PACKAGE

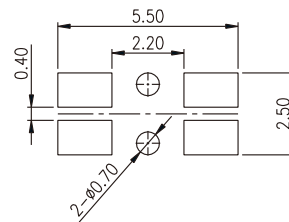
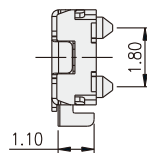
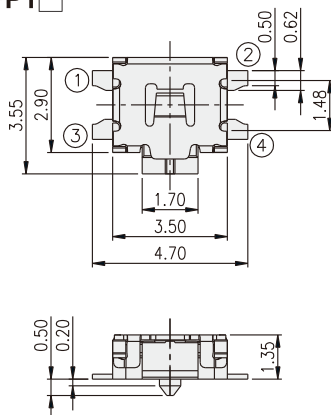
<Tape & Reel>
3000 pcs

TBF31 []



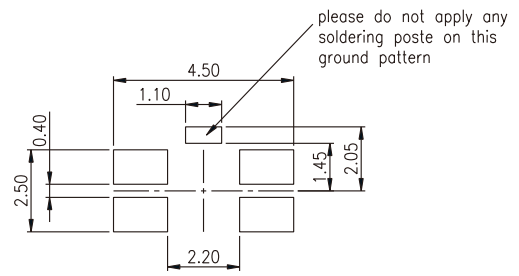
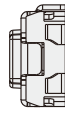
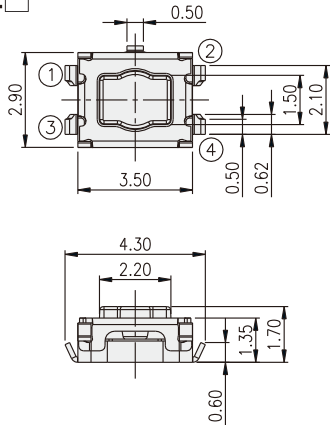
P.C.B. LAYOUT

TBFFP1 []



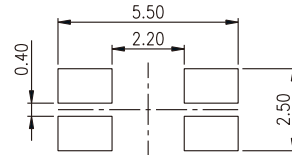
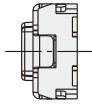
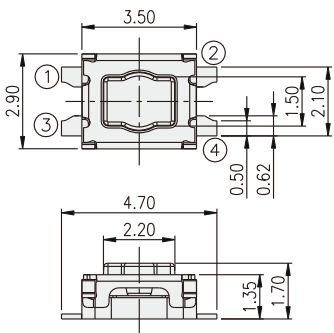
P.C.B. LAYOUT

TBF12



P.C.B. LAYOUT

TBFF2



P.C.B. LAYOUT