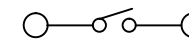
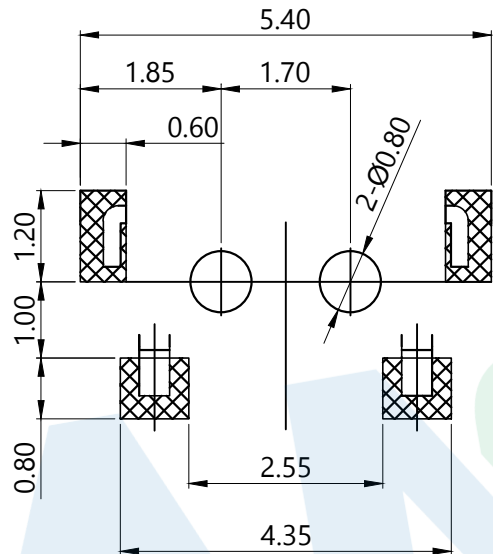
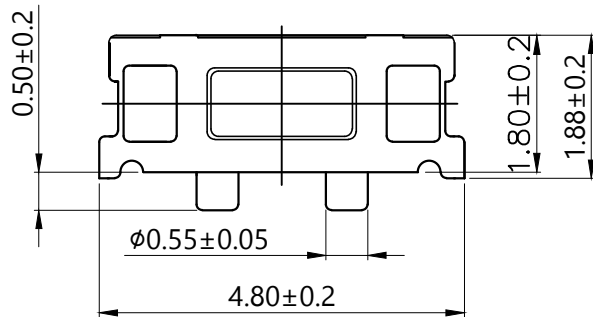
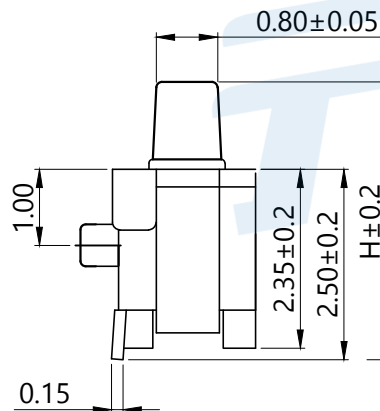
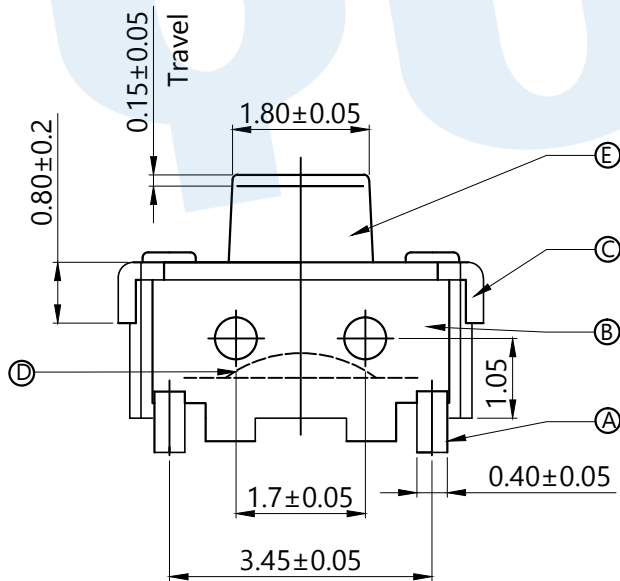


RoHS



Circuit Diagram

PCB Layout(Pattern side)



OPERATING FORCE	
CODE	VIGOR
B2	180±30gf
B3	250±30gf

TOTAL HEIGHT	
CODE	H
A1	3.2
A2	3.5
A3	3.8

SHRAPNEL	
CODE	MATERIAL/QTY
D2	SUS/1PCS
D4	SUS/2PCS

NO.	Name	Number	Qty	Material	Remarks
⑤	Button	1	1	LCP	Black
④	Reed	2	2	SUS	Silver covered
③	Cover	1	1	Brass	Silvering
②	Base	1	1	LCP	White
①	Terminal	2	2	Phosphorus copper	Silvering

YUANDI® Yuandi Electronics Co, Ltd

design	date	name	TACT SWITCHS
Review	date	name	TS-1073B-A□B□-D□
Approved	date	name	

Drawing number: Proportion 1:1 unit mm gage number A4

modify Review Approved Tolerance not specified