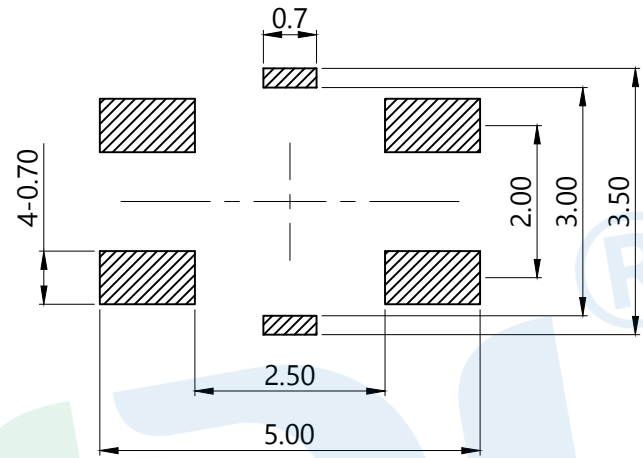
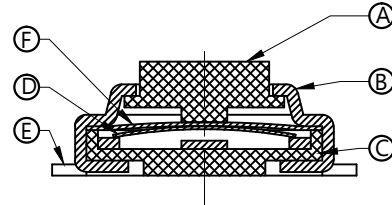
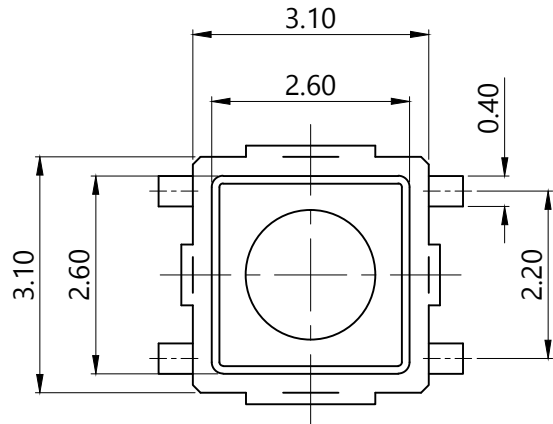
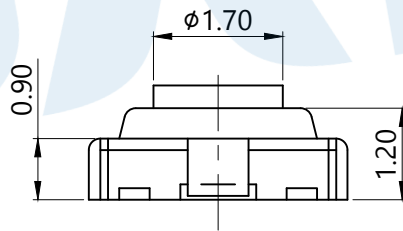
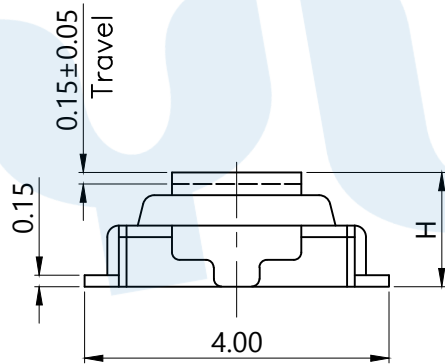


RoHS



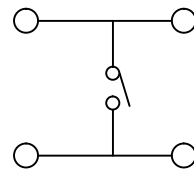
PCB Layout(Pattern side)



OPERATING FORCE	
CODE	VIGOR
B2	180±30gf
B3	250±30gf

TOTAL HEIGHT	
CODE	H
A1	1.5
A2	2.0

SHRAPNEL	
CODE	MATERIAL/QTY
D2	SUS/1PCS
D4	SUS/2PCS



Circuit Diagram

ⓕ	Dust film		1	Polyimide tape	
ⓔ	Terminal		4	Phosphor Bronze	Silvering
ⓓ	Reed		1	SUS	Silver covered
ⓒ	Base		1	LCP	Black
ⓑ	Cover		1	SUS	Silvering
Ⓐ	Button		1	LCP	Black
NO.	Name	Number	Qty	Material	Remarks

**YUANDI®** Yuandi Electronics Co, Ltd

design	date	name	TACT SWITCHS
Review	date		
Approved	date	name	TS-1075S-A□B□-D□

Drawing number:  Proportion: 1:1 unit: mm gage number:  A4

angle	±2'
10~30	±0.30
5~10	±0.20
~ 5	±0.10

modify Review Approved Tolerance not specified