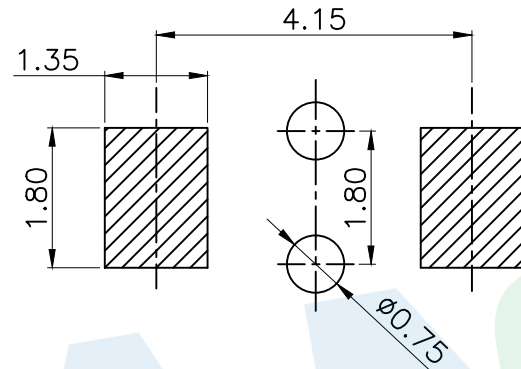
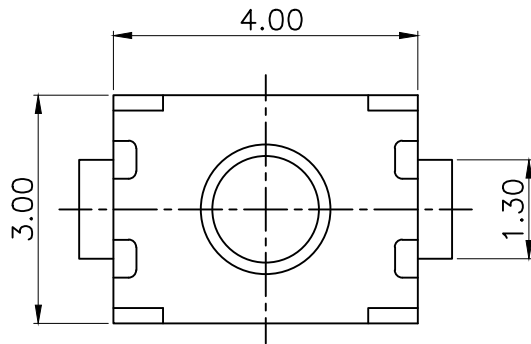
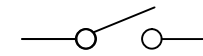


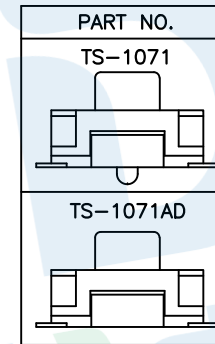
RoHS



PCB Layout(Pattern side)



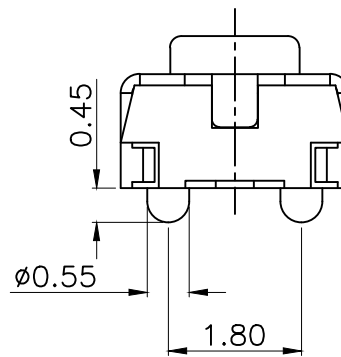
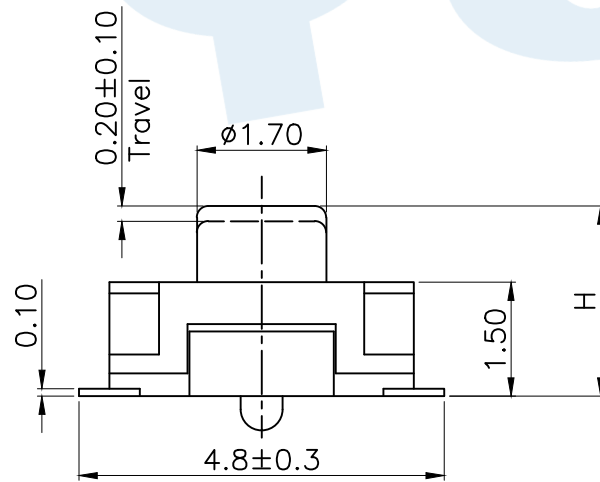
Circuit Diagram



SHRAPNEL	
CODE	MATERIAL/QTY
D2	SUS/1PCS
D4	SUS/2PCS

TOTAL HEIGHT	
CODE	H
A1	2.0
A2	2.5
A3	3.0
A4	3.5
A5	4.0
A6	5.0

OPERATING FORCE	
CODE	VIGOR
B2	180±30gf
B3	250±30gf



NO.	Name	Number	Qty	Materil	Remarks
Ⓕ	Dust film	1		Polyimide tape	
Ⓔ	Terminal	2		Phosphorus bronze	Silvering
Ⓓ	Reed	2		SUS	Silver covered
Ⓒ	Button	1		LCP	Black
Ⓑ	Cover	1		SUS	Natural
Ⓐ	Base	1		LCP	Black

YUANDI® Yuandi Electronics Co, Ltd

design	date	name	TACT SWITCHS
Review	date		
Approved	date	name	TS-1071-A□B□-D□

Drawing number: Proportion 1:1 unit mm gage number A4

modify Review Approved Tolerance not specified

angle	±2'
10~30	±0.30
5~10	±0.20
~ 5	±0.10