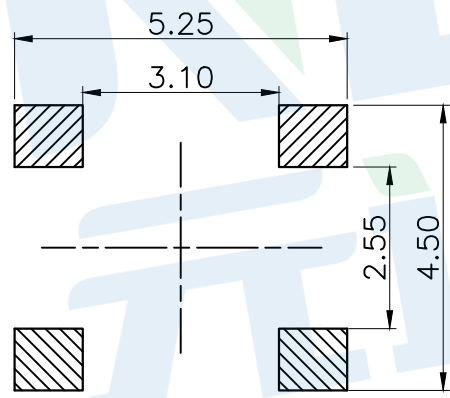
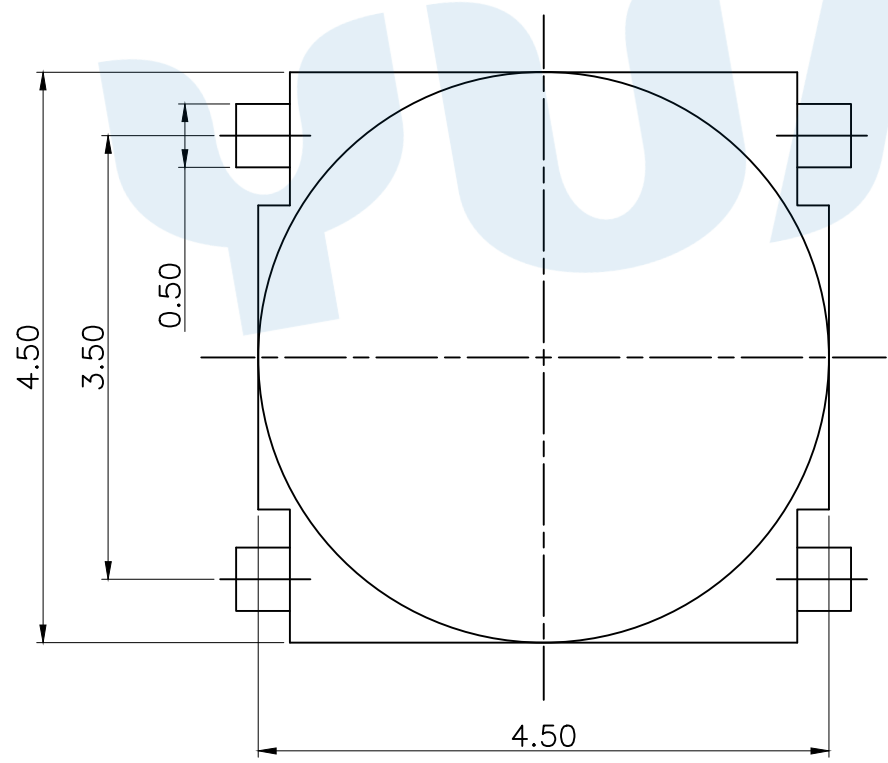
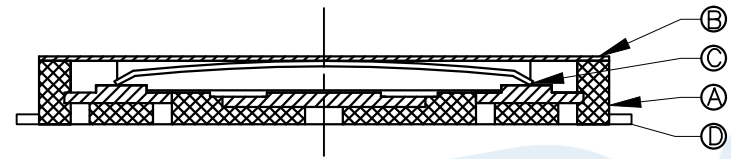
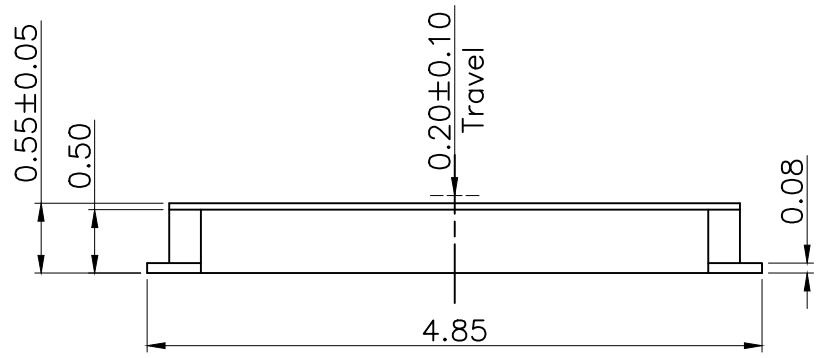
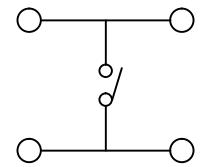


RoHS



OPERATING FORCE	
CODE	VIGOR
B2	180±30gf
B3	250±30gf

PCB Layout (Pattern Side)



Circuit Diagram

NO.	Name	Number	Qty	Material	Remarks
①	Terminal		4	Phosphor copper	Silvering
②	Reed		1	SUS	Silvering covered
③	Dust film		1	Polyimide tape	
④	Base		1	LCP	Black

**YUANDI®** Yuandi Electronics Co, Ltd

design	date	name	TACT SWITCHS
Review	date	name	TS-1062S-B□
Approved	date	name	

angle	±2'								
10~30	±0.30								
5~10	±0.20								
~ 5	±0.10								
modify	Review	Approved	Tolerance not specified	Proportion	1:1	unit	mm	gape number	A4