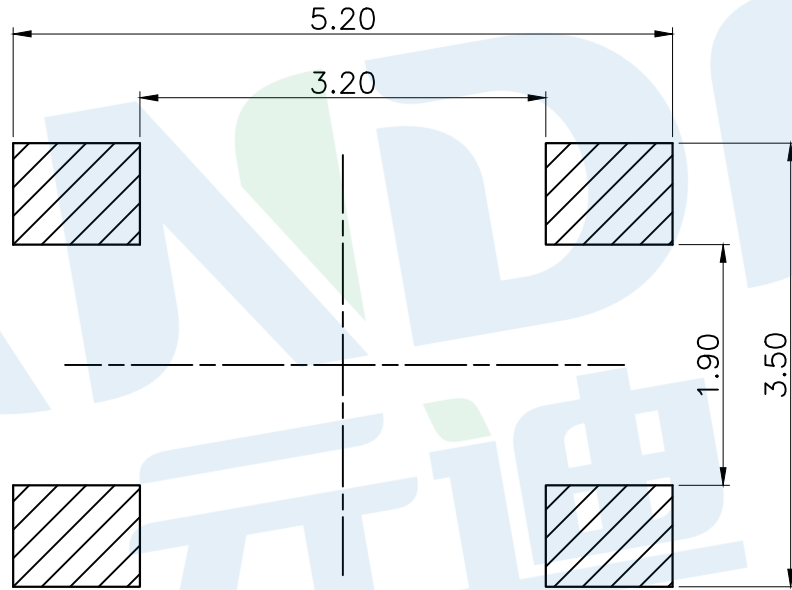
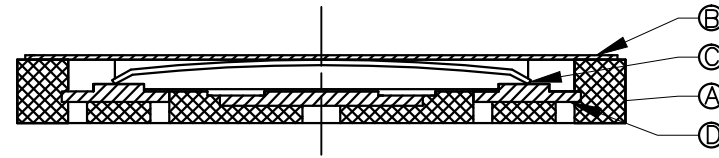
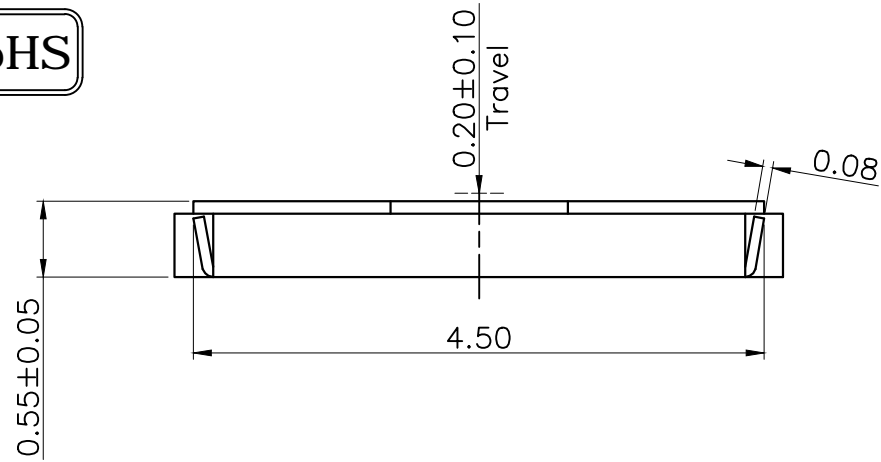
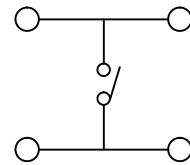
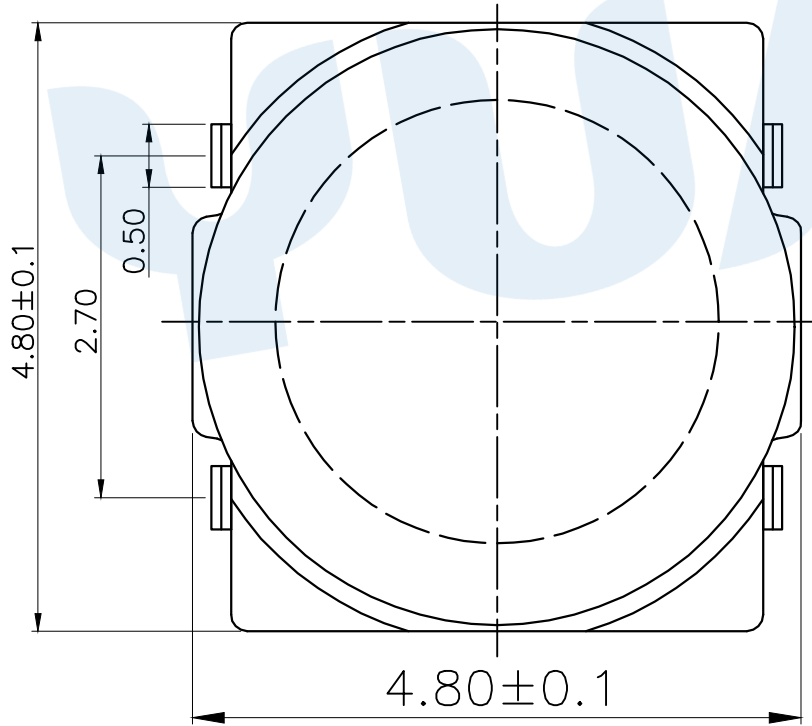


RoHS



PCB Layout (Pattern Side)



Circuit Diagram

OPERATING FORCE	
CODE	VIGOR
B2	180±30gf
B3	250±30gf

NO.	Name	Number	Qty	Materil	Remarks
①	Terminal		4	Phosphor copper	Silvering
②	Reed		1	SUS	Silvering covered
③	Dust film		1	Polyimide tape	
④	Base		1	LCP	White

**YUANDI®** Yuandi Electronics Co., Ltd

design	date	name	TACT SWITCHS
Review	date		
Approved	date	name	TS-1059U-B□

Drawing number:   
 angle ±2'   
 10~30 ±0.30   
 5~10 ±0.20   
 ~ 5 ±0.10   
 Tolerance not specified   
 Proportion 1:1   
 unit mm   
 gage number   
 A4

modify Review Approved