

FEATURES

- ※2.0mm stroke
- ※Through hole or SMT
- ※1P2T, 2P2T models

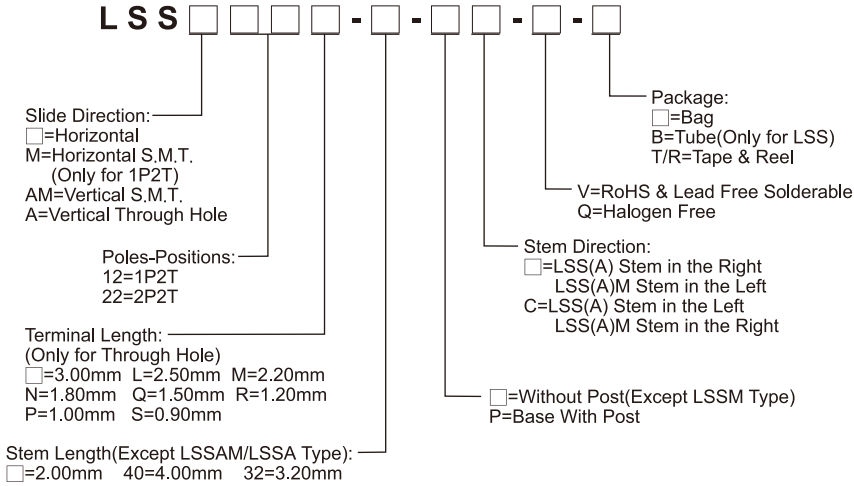
APPLICATION

- ※Remote control
- ※Consumer electronics
- ※Instrumentations

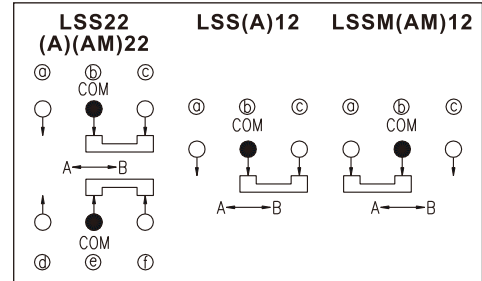
SPECIFICATION

| | |
|-----------------------|--------------------|
| Contact Rating | 0.1A, 12V DC |
| Contact Resistance | 60mΩ max. |
| Insulation Resistance | 100MΩ min. 500V DC |
| Dielectric Strength | 500V AC/1 minute |
| Operating Force | 200±150gf |
| Travel | 2mm |
| Operating Life | 10,000 cycles |
| Operating Temp. | -10°C ~ +60°C |
| Storage Temp. | -20°C ~ +70°C |

HOW TO ORDER



CIRCUIT



PACKAGE

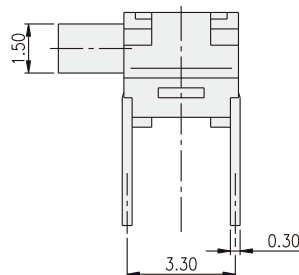
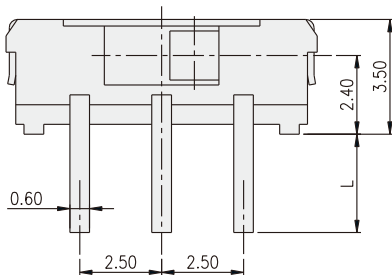
- <Bag>
LSS(A)12, 22: 1000 pcs
- <Tube>
LSS[]2, LSS[]2M, LSS[]2L: 50 pcs
- <Tape & Reel>
LSS12, 22-N,P,S,Q,R: 900 pcs
LSS12, 22-[],M,L: 800 pcs
LSS12, 12-40-P, 22[]-40: 800 pcs
LSSM12-P, LSSM12-40-P: 800 pcs
LSSM12: 1000 pcs
LSSA(M)12, 22: 600 pcs
LSSA12, 22M,L-P: 600 pcs
LSSA12, 22R-P: 500 pcs

LSS22



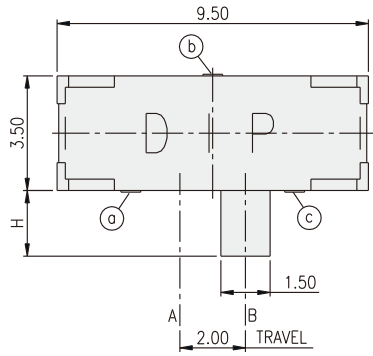
| PART NO. | H |
|----------|------|
| LSS22 | 2.0 |
| LSS22-32 | 3.20 |
| LSS22-40 | 4.0 |

| PART NO. | L |
|----------|------|
| LSS22 | 3.0 |
| LSS22S | 0.90 |
| LSS22P | 1.0 |
| LSS22R | 1.20 |
| LSS22Q | 1.50 |
| LSS22N | 1.80 |
| LSS22M | 2.20 |
| LSS22L | 2.50 |



P.C.B. LAYOUT

LSS12



| PART NO. | H |
|----------|------|
| LSS12 | 2.00 |
| LSS12-32 | 3.20 |
| LSS12-40 | 4.00 |

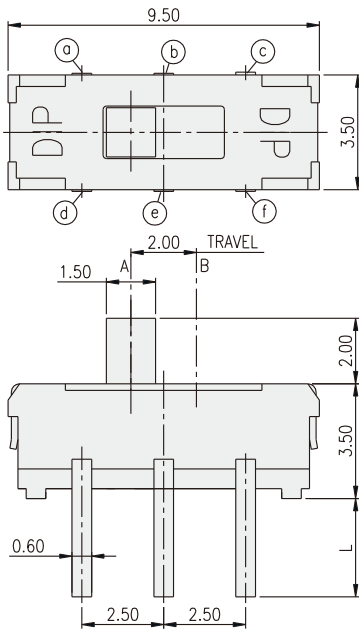
| PART NO. | L |
|----------|------|
| LSS12 | 3.0 |
| LSS12S | 0.90 |
| LSS12P | 1.0 |
| LSS12R | 1.20 |
| LSS12Q | 1.50 |
| LSS12N | 1.80 |
| LSS12M | 2.20 |
| LSS12L | 2.50 |



P.C.B. LAYOUT

SLIDE SWITCH

LSSA22

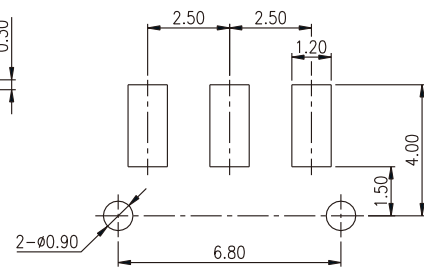
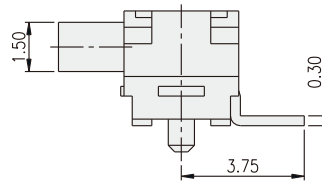
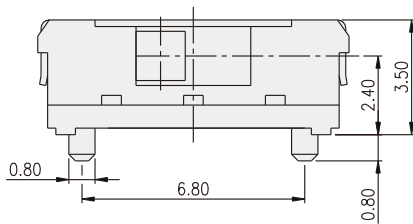
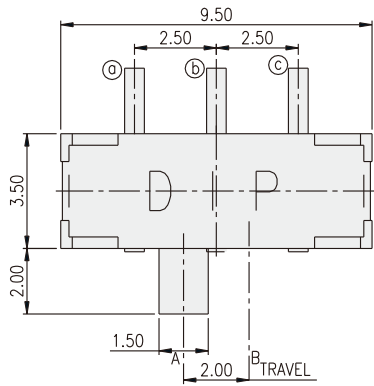


| PART NO. | L |
|----------|------|
| LSSA22 | 3.0 |
| LSSA22S | 0.90 |
| LSSA22P | 1.0 |
| LSSA22R | 1.20 |
| LSSA22Q | 1.50 |
| LSSA22N | 1.80 |
| LSSA22M | 2.20 |
| LSSA22L | 2.50 |



P.C.B. LAYOUT

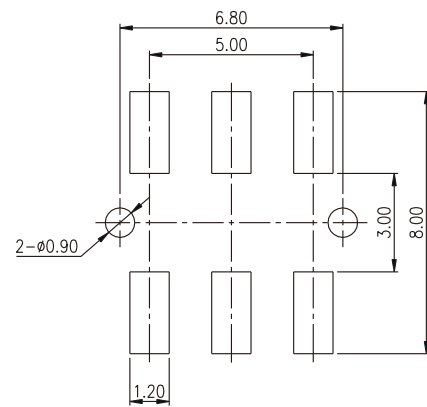
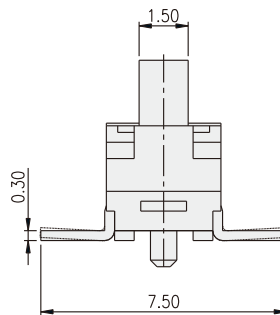
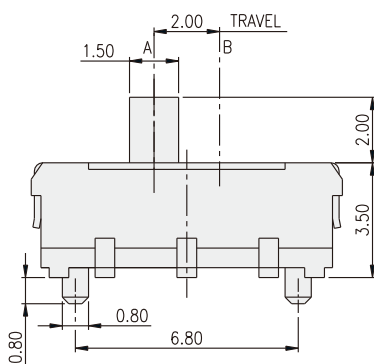
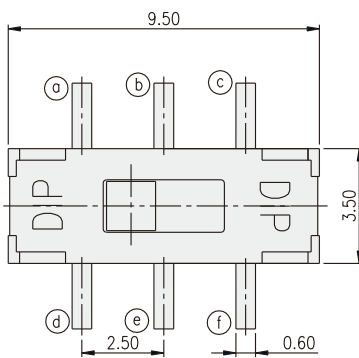
LSSM12-P



P.C.B. LAYOUT

SLIDE SWITCH

LSSAM22-P



P.C.B. LAYOUT