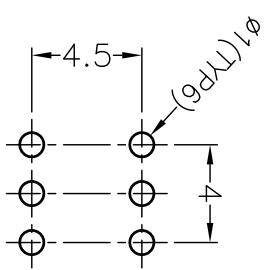
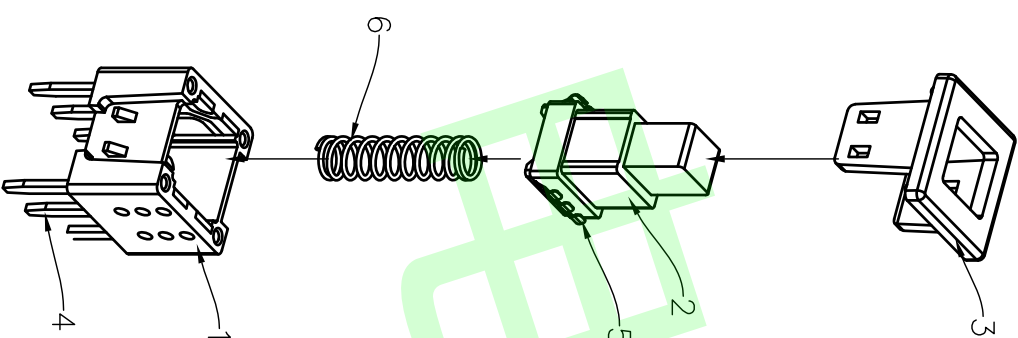
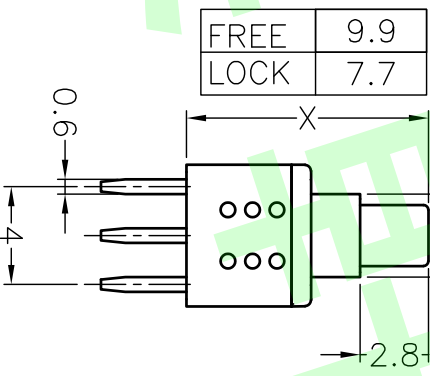
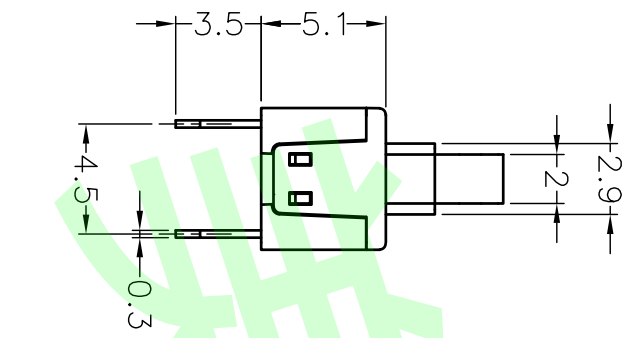
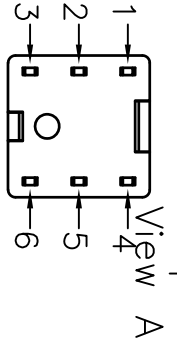


| FREE | LOCK |
|-------|-------|
| 1 2 3 | 1 2 3 |
| 4 5 6 | 4 5 6 |

| SPECIFICATION | |
|-------------------------------|---------------|
| 1.环境温度(Operating Temp) | -20℃~+80℃ |
| 2.相对湿度(Working Humidity) | 5%~35% |
| 3.额定规格(Rated Value) | DC50V/30mA |
| 4.接触电阻(Contact Resistance) | 100mΩ max |
| 5.绝缘电阻(Insulation Resistance) | 100MΩ min |
| 6.耐电压(Withstand Voltage) | 250Vdc/60S |
| 7.动作力(Operating Force) | 250±50gf |
| 8.使用寿命(Operating Life) | 100,000 cycle |



PCB LAYOUT



View A
Scale 1:1

| 序号 NO. | 零件名称 PART NAME | 数量 QTY | 材质 MATERIAL |
|-----------|-------------------|-----------|----------------------|
| 7 | Crochet Hook | 1PCS | Carbon Steel |
| 6 | Spring | 1PCS | Carbon Steel |
| 5 | Contact Chip | 2PCS | Silver-Coated Copper |
| 4 | Terminals | 6PCS | Copper plated Silver |
| 3 | Panel | 1PCS | LCP Natural Color |
| 2 | Keypad | 1PCS | LCP Black |
| 1 | Housing | 1PCS | LCP Black |

东莞市美韩电子科技有限公司
Dongguan Usakro Electronic Technology Co., Ltd.

| 普通公差 common tolerance | | 角度angular: ±0.5° | |
|--------------------------|-----------|---------------------|------|
| 0~5±0.15; | 5~10±0.3; | 10~30±0.5; | |
| DATE | CHECKED | JEFF | JEFF |
| 2018-7-18 | JEFF | JEFF | JEFF |
| DATE | CHECKED | JEFF | JEFF |
| 2018-7-18 | JEFF | JEFF | JEFF |
| DATE | CHECKED | JEFF | JEFF |
| 2018-7-18 | JEFF | JEFF | JEFF |

品名Title: 5.8 高头无锁开关
Self-locking Push Switch
料号Part NO. UK-G0701-WS-Y